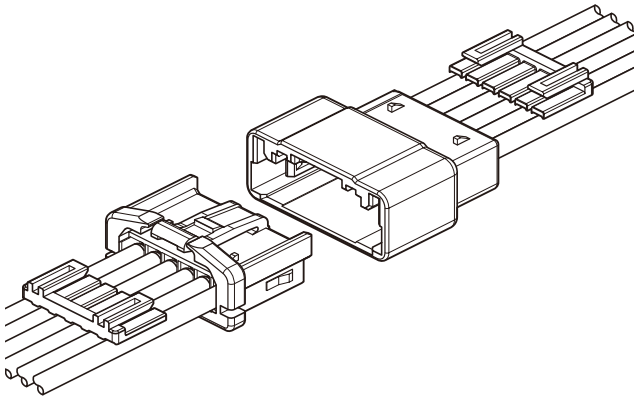


XMA CONNECTOR

2.5mm pitch/Disconnectable Crimp style Wire-to-wire connectors



This connector is a 2.5mm pitch wire-to-wire connector, having incomplete mating prevention mechanism. 2-circuit and 3-circuit connectors have control key to prevent connector from mating with incorrect circuits, thus, several same circuit connectors can be used.

- Inertial lock structure with side lock mechanism
- 3 type combination of control key with one kind of circuit
- Secure locking structure
- Finger-friendly design

Specifications

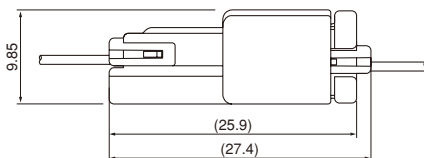
- Current rating: 3A AC, DC (AWG#22)
- Voltage rating: 250V AC, DC
- Temperature range: -25°C to +85°C
(including temperature rise in applying electrical current)
- Contact resistance: Initial value/10m Ω max.
After environmental testing/20m Ω max.
- Insulation resistance: 500M Ω min.
- Withstanding voltage: 1,500V AC/minute
- Applicable wire: AWG#26 to #22
0.13mm² to 0.33mm²
- * Compliant with RoHS.
- * Refer to "General Instruction and Notice when using Terminals and Connectors" at the end of this catalog.
- * Contact JST for details.

Standards

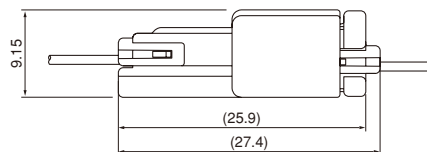
- Ⓡ Recognized E 60389
- Ⓢ Certified LR20812

Assembly layout

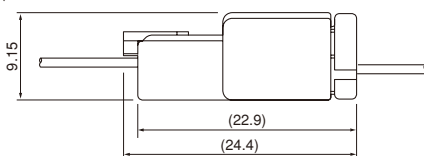
<2, 3 circuits>



<4, 5 circuits>



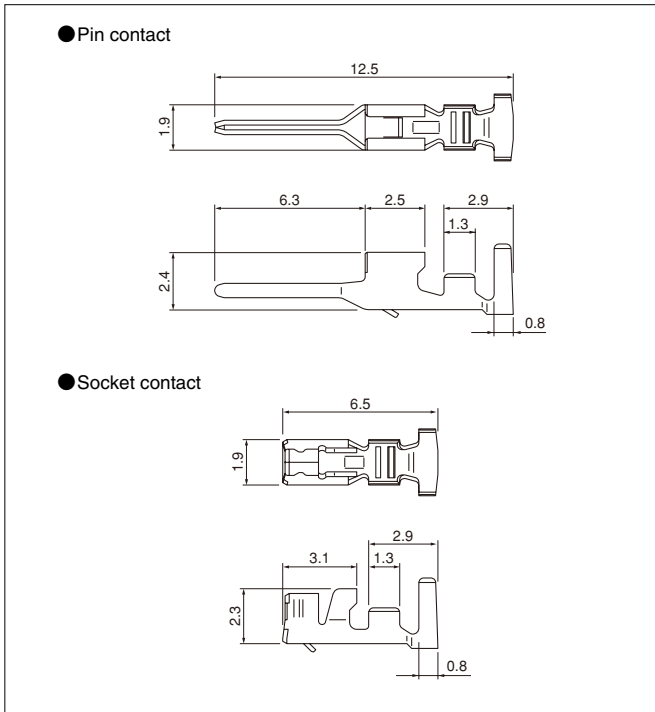
<6 circuits>



Note: The dimensions above should serve as a guideline. Contact JST for details.

XMA CONNECTOR

Contact



| Model No. | | Applicable wire | | Insulation O.D. (mm) | Q'ty / reel | |
|----------------------|-----------------------|-----------------|-------|-------------------------|-------------|----------------|
| Pin contact | Socket contact | mm ² | AWG # | | Pin contact | Socket contact |
| SXM-001T-P0.6 | SXA-001T-P0.6L | 0.13~0.33 | 26~22 | 1.3~1.9 | 7,000 | 8,000 |

Material and Finish

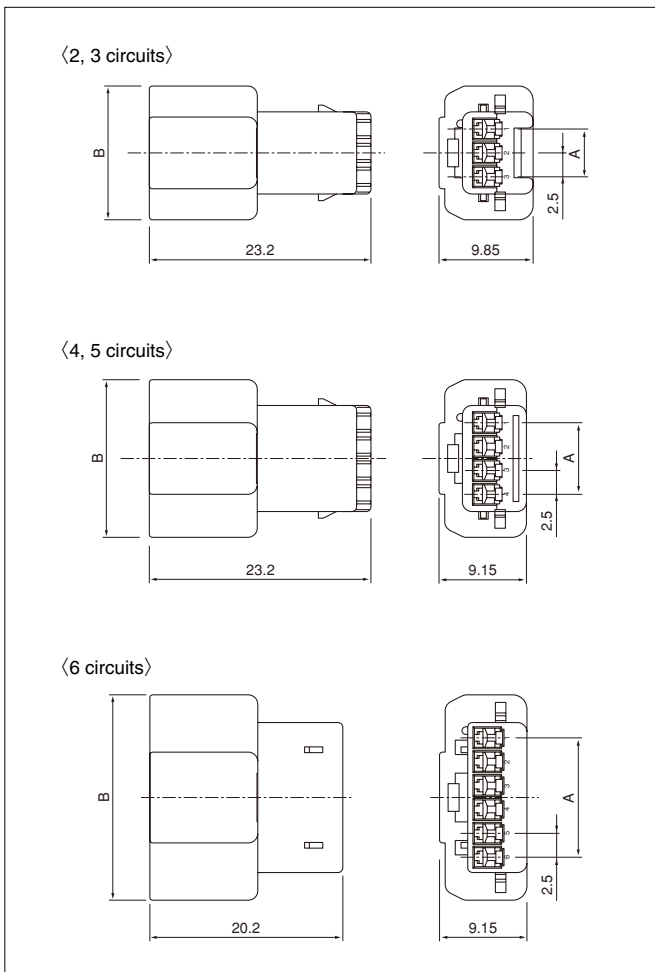
Copper alloy, tin-plated (reflow treatment)

RoHS compliance

| Contact | Crimping machine | Applicator | | |
|-----------------------|------------------|------------------|-----------------|----------------------------|
| | | Crimp applicator | Dies | Crimp applicator with dies |
| SXM-001T-P0.6 | AP-K2N | MKS-L | MK/SXA/M-001-06 | APLMK SXA/M001-06 |
| | | *MKS-SC | SC/SXA/M-001-06 | APLSC SXA/M001-06 |
| SXA-001T-P0.6L | | MKS-L | MK/SXA-001-06L | APLMK SXA001-06L |
| | | *MKS-SC | SC/SXA-001-06L | APLSC SXA001-06L |

Note: *Strip-crimp applicator

Receptacle housing (for pin contact)



| Circuits | Model No. | Color | Dimensions (mm) | | Q'ty / bag |
|----------|----------------------|-----------------|-----------------|------|------------|
| | | | A | B | |
| 2 | XMAR-02VF-1-S | Natural (white) | 2.5 | 12.5 | 1,000 |
| | XMAR-02VF-2-R | Red | | | |
| | XMAR-02VF-3-E | Blue | | | |
| 3 | XMAR-03VF-1-S | Natural (white) | 5.0 | 14.0 | 1,000 |
| | XMAR-03VF-2-R | Red | | | |
| | XMAR-03VF-3-E | Blue | | | |
| 4 | XMAR-04VF-S | Natural (white) | 7.5 | 16.5 | 500 |
| 5 | XMAR-05VF-S | Natural (white) | 10.0 | 19.0 | 500 |
| 6 | XMAR-06VF-S | Natural (white) | 12.5 | 21.5 | 500 |

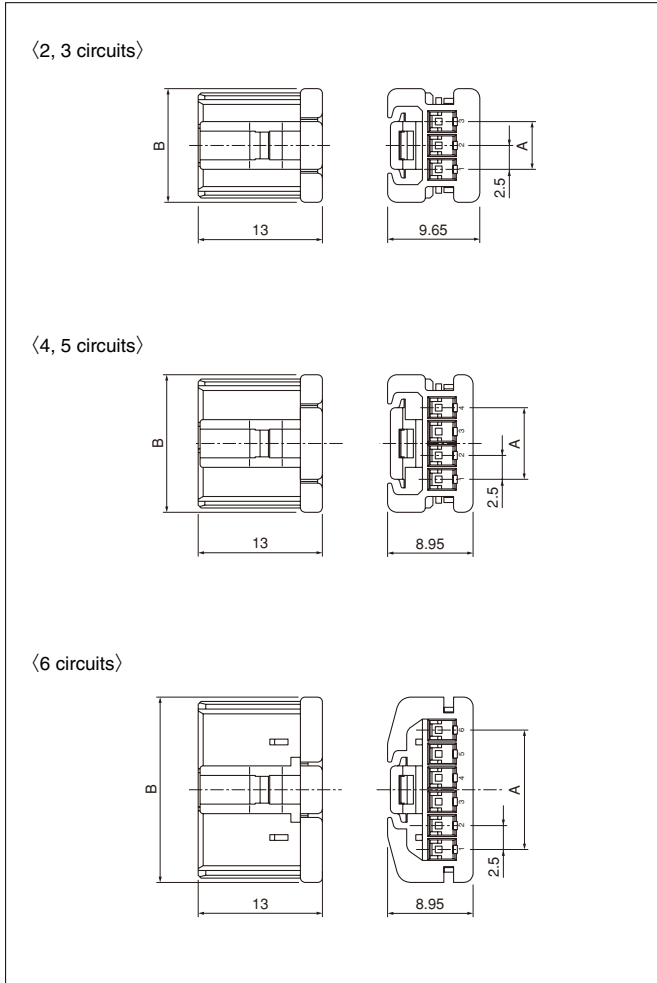
Material

Glass-filled PBT, UL94V-0

RoHS compliance

XMA CONNECTOR

Plug housing (for socket contact)



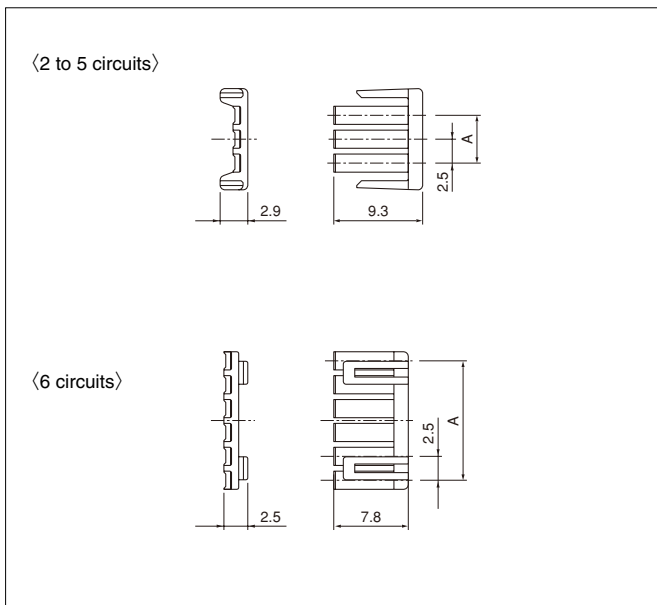
| Circuits | Model No. | Color | Dimensions (mm) | | Q'ty / bag |
|----------|---------------------|-----------------|-----------------|------|------------|
| | | | A | B | |
| 2 | XMAP-02V-1-S | Natural (white) | 2.5 | 9.4 | 1,000 |
| | XMAP-02V-2-R | Red | | | |
| | XMAP-02V-3-E | Blue | | | |
| 3 | XMAP-03V-1-S | Natural (white) | 5.0 | 11.9 | 1,000 |
| | XMAP-03V-2-R | Red | | | |
| | XMAP-03V-3-E | Blue | | | |
| 4 | XMAP-04V-S | Natural (white) | 7.5 | 14.4 | 1,000 |
| 5 | XMAP-05V-S | Natural (white) | 10.0 | 16.9 | 500 |
| 6 | XMAP-06V-S | Natural (white) | 12.5 | 19.4 | 500 |

Material

Glass-filled PBT, UL94V-0

RoHS compliance

Retainer



| Circuits | Model No. | Color | Dimensions (mm) | Q'ty / bag |
|----------|-------------------|-----------------|-----------------|------------|
| | | | A | |
| 2 | XMAS-02V-S | Natural (ivory) | 2.5 | 1,000 |
| 3 | XMAS-03V-S | Natural (ivory) | 5.0 | 1,000 |
| 4 | XMAS-04V-S | Natural (ivory) | 7.5 | 1,000 |
| 5 | XMAS-05V-S | Natural (ivory) | 10.0 | 1,000 |
| 6 | XMS-06V | Natural (ivory) | 12.5 | 1,000 |

Material

Glass-filled PA 66, UL94V-0

RoHS compliance

Note: 6 circuits of retainer is interchangeable with those of the XM and XA connectors.