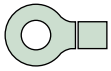
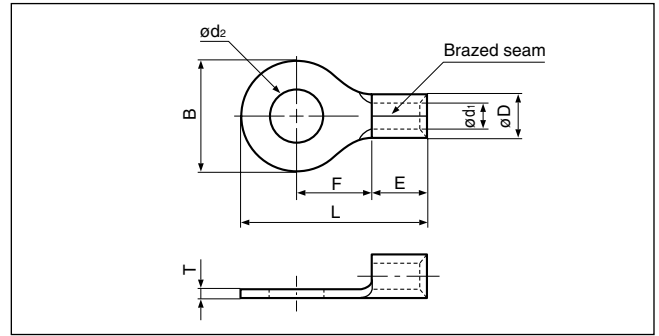


Solderless terminals



# RING TONGUE (R type) Non-insulated



Certificate No.: E42024 LR20812 JQ0608019  
 JQID08002

Applicable Wire AWG#(mm <sup>2</sup> )	Stud size		Part No.		Standard	Dimensions mm (in.)								Tool No.	Qty/box
	American	Metric	JST	JIS		ød <sub>2</sub>	B	L	F	E	øD	ød <sub>1</sub>	T		
26 to 22 (0.2 to 0.5)	1-2	2	0.5-2			2.2 (.087)	5.2 (.205)	12.4 (.488)	5.8 (.228)	4.0 (.157)	2.0 (.079)	1.0 (.039)	0.5 (.020)	YHT-2622 YA-1 YA-2 BCT-0514	1,000
	3-4	3	0.5-3			3.2 (.126)	5.2 (.205)	12.4 (.488)	5.8 (.228)						
	5-6	3.5	0.5-3.7			3.7 (.146)	6.6 (.260)	15.0 (.591)	7.7 (.303)						
	8	4	0.5-4			4.3 (.169)	6.6 (.260)	15.0 (.591)	7.7 (.303)						
	10	5	0.5-5			5.3 (.209)	8.0 (.315)	15.0 (.591)	7.0 (.276)						
22 to 16 (0.25 to 1.65)	1-2	2	1.25-2			2.2 (.087)	5.5 (.217)	11.5 (.453)	4.0 (.157)	4.8 (.189)	3.4 (.134)	1.7 (.067)	0.8 (.031)	YHT-2210 YA-1 YA-2 YA-4 BCT-0514	1,000
	3-4	3	1.25-3	*R1.25-3			3.2 (.126)	5.5 (.217)	11.5 (.453)						
	3-4	3	1.25-MS3			3.2 (.126)	5.5 (.217)	13.2 (.520)	5.6 (.220)						
	3-4	3	1.25-M3.3			3.2 (.126)	6.6 (.260)	14.4 (.567)	6.3 (.248)						
	3-4	3	1.25-L3			3.2 (.126)	8.0 (.315)	15.8 (.622)	7.0 (.276)						
	5-6	3.5	1.25-3.7			3.7 (.146)	5.5 (.217)	11.5 (.453)	4.0 (.157)						
	5-6	3.5	1.25-P3.5			3.7 (.146)	5.5 (.217)	13.9 (.547)	6.3 (.248)						
	5-6	3.5	1.25-M3	R1.25-3.5			3.7 (.146)	6.6 (.260)	14.4 (.567)						
	5-6	3.5	1.25-L3.7			3.7 (.146)	8.0 (.315)	15.8 (.622)	7.0 (.276)						
	8	4	1.25-M4			4.3 (.169)	6.6 (.260)	14.4 (.567)	6.3 (.248)						
	8	4	1.25-4	*R1.25-4		4.3 (.169)	8.0 (.315)	15.8 (.622)	7.0 (.276)						
	10	5	1.25-5	*R1.25-5		5.3 (.209)	8.0 (.315)	15.8 (.622)	7.0 (.276)						
	10	5	1.25-5NS			5.3 (.209)	9.0 (.354)	20.4 (.803)	11.1 (.437)						
	10	5	1.25-L5			5.3 (.209)	11.6 (.457)	21.7 (.854)	11.1 (.437)						
	1/4	6	1.25-6			6.4 (.252)	11.6 (.457)	21.7 (.854)	11.1 (.437)						
	5/16	8	1.25-8			8.4 (.331)	11.6 (.457)	21.7 (.854)	11.1 (.437)						
3/8	9	1.25-9			9.8 (.386)	13.6 (.535)	25.5(1.004)	13.9 (.547)							
3/8	10	1.25-10			10.5 (.413)	13.6 (.535)	25.5(1.004)	13.9 (.547)							
1/2	12	1.25-12			13.0 (.512)	19.0 (.748)	31.0(1.220)	16.7 (.657)							
16 to 14 (1.04 to 2.63)	1-2	2	2-S2			2.2 (.087)	6.4 (.252)	12.3 (.484)	4.3 (.169)	4.8 (.189)	4.1 (.161)	2.3 (.091)	0.8 (.031)	YHT-2210 YA-1 YA-2 YA-4 BCT-0514	1,000
	3-4	3	2-MS3			3.2 (.126)	5.5 (.217)	13.2 (.520)	5.6 (.220)						
	3-4	3	2-S3.3			3.2 (.126)	6.4 (.252)	12.3 (.484)	4.3 (.169)						
	3-4	3	2-M3.3			3.2 (.126)	6.6 (.260)	14.4 (.567)	6.3 (.248)						
	3-4	3	2-3			3.2 (.126)	8.5 (.335)	16.8 (.661)	7.8 (.307)						
	5-6	3.5	2-MS3.5			3.7 (.146)	5.5 (.217)	13.9 (.547)	6.3 (.248)						
	5-6	3.5	2-S3				3.7 (.146)	6.4 (.252)	12.3 (.484)						
	5-6	3.5	2-M3	*R2-3.5		3.7 (.146)	6.6 (.260)	14.4 (.567)	6.3 (.248)						
	5-6	3.5	2-P3.5			3.7 (.146)	7.0 (.276)	16.0 (.630)	7.7 (.303)						
	5-6	3.5	2-3.7			3.7 (.146)	8.5 (.335)	16.8 (.661)	7.8 (.307)						
	8	4	2-M4			4.3 (.169)	6.6 (.260)	14.4 (.567)	6.3 (.248)						
	8	4	2-P4			4.3 (.169)	7.0 (.276)	16.0 (.630)	7.7 (.303)						
	8	4	2-4	*R2-4			4.3 (.169)	8.5 (.335)	16.8 (.661)						
	10	5	2-M5			5.3 (.209)	8.5 (.335)	16.8 (.661)	7.8 (.307)						
	10	5	2-5NS			5.3 (.209)	9.0 (.354)	20.3 (.799)	11.0 (.433)						
	10	5	2-5	*R2-5		5.3 (.209)	9.5 (.374)	16.8 (.661)	7.3 (.287)						
	1/4	6	2-6	R2-6			6.4 (.252)	12.0 (.472)	21.8 (.858)						
	5/16	8	2-8	R2-8		8.4 (.331)	12.0 (.472)	21.8 (.858)	11.0 (.433)						
	3/8	9	2-9			9.8 (.386)	13.6 (.535)	25.5(1.004)	13.9 (.547)						
	3/8	10	2-10			10.5 (.413)	13.6 (.535)	25.5(1.004)	13.9 (.547)						
1/2	12	2-12		13.0 (.512)		19.0 (.748)	31.0(1.220)	16.7 (.675)							
1/2	14	2-14			15.0 (.591)	27.0(1.063)	39.5(1.555)	21.2 (.835)							
5/8	16	2-16			17.0 (.669)	27.0(1.063)	39.5(1.555)	21.2 (.835)							
3/4	20	2-20			21.0 (.827)	27.0(1.063)	39.5(1.555)	21.2 (.835)							

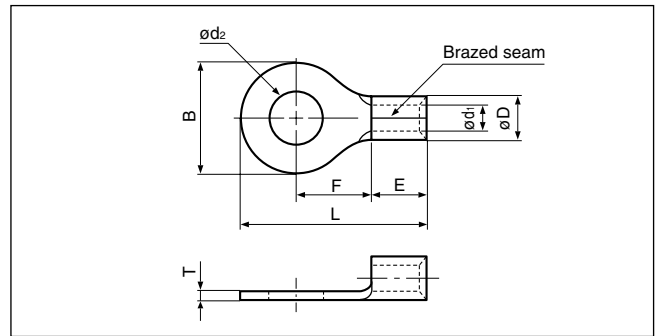
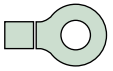
Note:1) Products with the JIS mark conform to JIS C2805.

2) The part numbers indicated in the above table are for products with a brazed seam.

When ordering products with a nominal size of 0.5 to 5.5 with a butted seam, add the prefix "WS" to the part number (ex.2-4 → **WS2-4**).

3) Delivery lead times may vary depending on the product. Contact JST for details.

4) The product with "\*" marking contains JIS recognition number of JQID08002.



Applicable Wire AWG#(mm <sup>2</sup> )	Stud size		Part No.		Standard	Dimensions mm (in.)								Tool No.	Qty/box	
	American	Metric	JST	JIS		$\phi d_2$	B	L	F	E	$\phi D$	$\phi d_1$	T			
14 to 12 (3.5)	3-4	3	3.5-R3		④ ⑤	3.2 (.126)	8.0 (.315)	17.8 (.707)	9.0 (.354)	4.8 (.189)	4.8 (.189)	2.7 (.106)	1.0 (.039)	YHT-2210 (Dies mark. 5) BCT-0514	1,000	
	8	4	3.5-R4			4.3 (.169)	8.0 (.315)	17.8 (.707)	9.0 (.354)							
	8	4	3.5-4			4.3 (.169)	10.3 (.406)	18.6 (.732)	8.6 (.339)							
	10	5	3.5-R5			5.3 (.209)	8.0 (.315)	17.8 (.707)	9.0 (.354)							
	10	5	3.5-5			5.3 (.209)	10.3 (.406)	18.6 (.732)	8.6 (.339)							
12 to 10 (2.63 to 6.64)	1/4	6	3.5-6		④ ⑤	6.4 (.252)	10.3 (.406)	18.6 (.732)	8.6 (.339)	5.6 (.220)	3.4 (.134)	1.0 (.039)	YHT-2210 YA-1 YA-2 YA-4 BCT-0514	500		
	3-4	3	5.5-S3.3			3.2 (.126)	7.2 (.283)	15.7 (.618)	5.9 (.232)						6.2 (.244)	
	3-4	3	5.5-3			3.2 (.126)	9.5 (.374)	19.8 (.780)	8.3 (.327)						6.8 (.268)	
	5-6	3.5	5.5-S3			3.7 (.146)	7.2 (.283)	15.7 (.618)	5.9 (.232)						6.2 (.244)	
	5-6	3.5	5.5-3.7			3.7 (.146)	9.5 (.374)	19.8 (.780)	8.3 (.327)						6.8 (.268)	
	8	4	5.5-S4			4.3 (.169)	7.2 (.283)	15.7 (.618)	5.9 (.232)						6.2 (.244)	
	8	4	5.5-4NS			4.3 (.169)	8.0 (.315)	19.1 (.752)	8.3 (.327)						6.8 (.268)	
	8	4	5.5-4	*R5.5-4		④ ⑤ ⑥	4.3 (.169)	9.5 (.374)	19.8 (.780)							8.3 (.327)
	10	5	5.5-5NS			④ ⑤ ⑥	5.3 (.209)	8.0 (.315)	19.1 (.752)							8.3 (.327)
	10	5	5.5-5	*R5.5-5		④ ⑤ ⑥	5.3 (.209)	9.5 (.374)	19.8 (.780)							8.3 (.327)
	10	5	5.5-S5			④ ⑤ ⑥	5.3 (.209)	13.2 (.520)	22.4 (.882)							9.0 (.354)
	1/4	6	5.5-6NS			④ ⑤ ⑥	6.4 (.252)	9.0 (.354)	24.3 (.957)							13.0 (.512)
	1/4	6	5.5-6	*R5.5-6		④ ⑤ ⑥	6.4 (.252)	12.0 (.472)	25.8(1.016)							13.0 (.512)
	1/4	6	5.5-S6			④ ⑤ ⑥	6.4 (.252)	13.2 (.520)	22.4 (.882)							9.0 (.354)
	1/4	6	5.5-L6			④ ⑤ ⑥	6.4 (.252)	15.0 (.591)	28.0(1.102)							13.7 (.539)
	5/16	8	5.5-S8			④ ⑤ ⑥	8.4 (.331)	13.2 (.520)	22.4 (.882)							9.0 (.354)
	5/16	8	5.5-8	*R5.5-8		④ ⑤ ⑥	8.4 (.331)	15.0 (.591)	28.0(1.102)							13.7 (.539)
	3/8	9	5.5-9			④ ⑤ ⑥	9.8 (.386)	15.0 (.591)	28.0(1.102)							13.7 (.539)
	3/8	10	5.5-10	R5.5-10		④ ⑤ ⑥	10.5 (.413)	15.0 (.591)	28.0(1.102)							13.7 (.539)
	1/2	12	5.5-12			④ ⑤	13.0 (.512)	19.2 (.756)	32.4(1.276)							16.0 (.630)
1/2	14	5.5-14		15.0 (.591)	32.0(1.260)		48.1(1.894)	25.3 (.996)								
5/8	16	5.5-16		17.0 (.669)	32.0(1.260)		48.1(1.894)	25.3 (.996)								
11/16	18	5.5-18		19.0 (.748)	32.0(1.260)		48.1(1.894)	25.3 (.996)								
3/4	20	5.5-20		21.0 (.827)	32.0(1.260)		48.1(1.894)	25.3 (.996)								

Note:1) Products with the JIS mark ④ conform to JIS C2805.

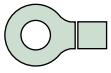
2) The part numbers indicated in the above table are for products with a brazed seam.

When ordering products with a nominal size of 0.5 to 5.5 with a butted seam, add the prefix "WS" to the part number (ex.5.5-4 → WS5.5-4).

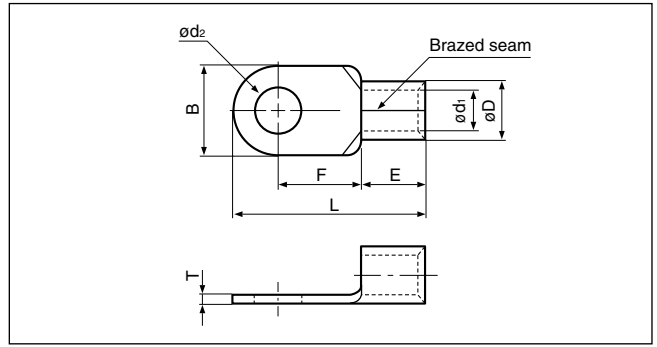
3) Delivery lead times may vary depending on the product. Contact JST for details.

4) The product with "\*" marking contains JIS recognition number of JQID08002.

Solderless terminals

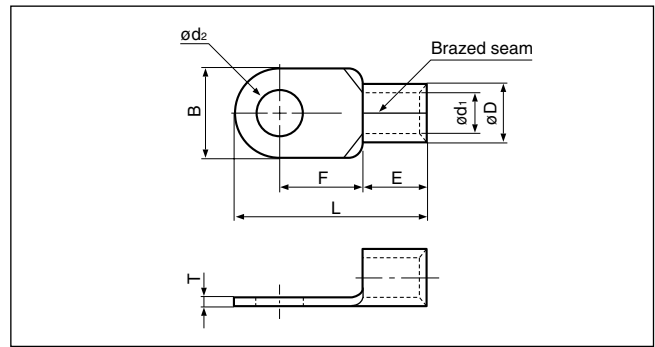
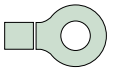


**RING TONGUE (R type) Non-insulated**

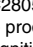


Applicable Wire AWG#(mm <sup>2</sup> )	Stud size		Part No.		Standard	Dimensions mm (in.)							Tool No.	Qty/box				
	American	Metric	JST	JIS		ød <sub>2</sub>	B	L	F	E	øD	ød <sub>1</sub>			T			
8 (6.64 to 10.52)	8	4	8-NK4			4.3 (.169)	9.0 (.354)	16.5 (.650)	5.8 (.228)	6.2 (.244)	7.1 (.280)	4.5 (.177)	1.2 (.047)	YA-4 YPT-60N YF-1 YET-60-1 E-4 (Note 2)	500			
	8	4	8-4NS			4.3 (.169)	8.0 (.315)	21.8 (.858)	9.3 (.366)	8.5 (.335)				YHT-8S YA-4, YA-5 YPT-60N YPT-150-1 BCT-0514 BCT-860N BCT-8150 YF-1 YET-60-1 E-4 YET-150-1	1,000			
	8	4	8-4			4.3 (.169)	12.0 (.472)	23.8 (.937)	9.3 (.366)	8.5 (.335)								
	10	5	8-NK5			5.3 (.209)	9.0 (.354)	16.5 (.650)	5.8 (.228)	6.2 (.244)							YA-4 YPT-60N YF-1 YET-60-1 E-4 (Note 2)	500
	10	5	8-5NS			5.3 (.209)	9.0 (.354)	22.3 (.878)	9.3 (.366)									1,000
	10	5	8-5	*R8-5		5.3 (.209)	12.0 (.472)	23.8 (.937)	9.3 (.366)									500
	10	5	8-L5NS			5.3 (.209)	9.0 (.354)	26.8(1.055)	13.8 (.543)									1,000
	10	5	8-L5			5.3 (.209)	15.0 (.591)	29.8(1.173)	13.8 (.543)									500
	1/4	6	8-6NS			6.4 (.252)	9.6 (.378)	22.6 (.890)	9.3 (.366)									1,000
	1/4	6	8-6	*R8-6		6.4 (.252)	12.0 (.472)	23.8 (.937)	9.3 (.366)									500
	1/4	6	8-L6			6.4 (.252)	15.0 (.591)	29.8(1.173)	13.8 (.543)									1,000
	5/16	8	8-8NS			8.4 (.331)	11.5 (.453)	28.1(1.106)	13.8 (.543)									500
	5/16	8	8-8	*R8-8		8.4 (.331)	15.0 (.591)	29.8(1.173)	13.8 (.543)	8.5 (.335)								1,000
	3/8	9	8-9			9.8 (.386)	15.0 (.591)	29.8(1.173)	13.8 (.543)									500
	3/8	10	8-10	*R8-10		10.5 (.413)	15.0 (.591)	29.8(1.173)	13.8 (.543)									500
	3/8	10	8-L10			10.5 (.413)	20.0 (.787)	33.5(1.319)	15.0 (.591)									200
	7/16	11	8-11			11.5 (.453)	20.0 (.787)	33.5(1.319)	15.0 (.591)									
	1/2	12	8-12			13.0 (.512)	20.0 (.787)	33.5(1.319)	15.0 (.591)									
	1/2	14	8-14			15.0 (.591)	31.6(1.244)	50.0(1.969)	25.7(1.012)									
	5/8	16	8-16			17.0 (.669)	31.6(1.244)	50.0(1.969)	25.7(1.012)									
11/16	18	8-18			19.0 (.748)	31.6(1.244)	50.0(1.969)	25.7(1.012)										
3/4	20	8-20			21.0 (.827)	31.6(1.244)	50.0(1.969)	25.7(1.012)										

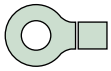
- Note:1) Products with the JIS mark conform to JIS C2805.  
 2) Please use the die AD-901S for the pneumatic tool YA-4, and the die 8NK-6 for the hydraulic tools YPT-60-21/YET-60-1.  
 3) Delivery lead times may vary depending on the product. Contact JST for details.  
 4) The product with "\*" marking contains JIS recognition number of JQID08002.



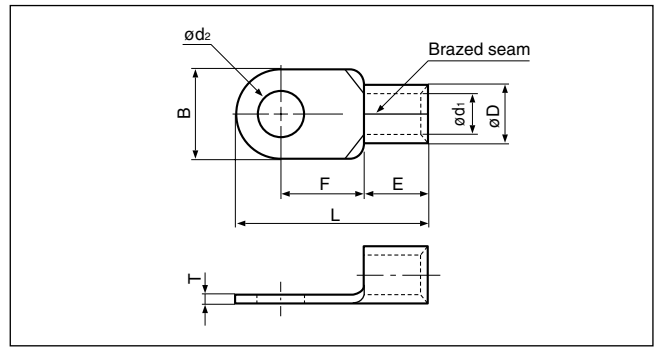
Applicable Wire AWG#(mm <sup>2</sup> )	Stud size		Part No.		Standard	Dimensions mm (in.)							Tool No.	Qty/box	
	American	Metric	JST	JIS		$\phi d_2$	B	L	F	E	$\phi D$	$\phi d_1$			T
6 (10.52 to 16.78)	8	4	14-4			4.3 (.169)	12.0 (.472)	29.8(1.173)	13.3 (.524)	10.5 (.413)	9.0 (.354)	5.8 (.228)	1.5 (.059)	YA-4 YA-5 YPT-60N YPT-150-1 BCT-0514 BCT-860N BCT-8150 YF-1 YET-60-1 E-4 YET-150-1	200
	8	4	14-NK4		UL SF	4.3 (.169)	12.2 (.480)	23.0 (.906)	7.7 (.303)	9.2 (.362)					
	10	5	14-5NS			5.3 (.209)	9.0 (.354)	28.3(1.114)	13.3 (.524)	10.5 (.413)					
	10	5	14-5	*R14-5	UL SF JIS	5.3 (.209)	12.0 (.472)	29.8(1.173)	13.3 (.524)	9.2 (.362)					
	10	5	14-NK5		UL SF	5.3 (.209)	12.2 (.480)	23.0 (.906)	7.7 (.303)	9.2 (.362)					
	1/4	6	14-6NS			6.4 (.252)	9.6 (.378)	28.6(1.126)	13.3 (.524)	10.5 (.413)					
	1/4	6	14-6	*R14-6	UL SF JIS	6.4 (.252)	12.0 (.472)	29.8(1.173)	13.3 (.524)	9.2 (.362)					
	1/4	6	14-L6			6.4 (.252)	16.0 (.630)	32.8(1.291)	14.5 (.571)	10.5 (.413)					
	5/16	8	14-8NS		UL SF	8.4 (.331)	11.5 (.453)	30.8(1.213)	14.5 (.571)	10.5 (.413)					
	5/16	8	14-S8			8.4 (.331)	12.0 (.472)	31.0(1.220)	14.5 (.571)	10.5 (.413)					
	5/16	8	14-8	*R14-8	UL SF JIS	8.4 (.331)	16.0 (.630)	32.8(1.291)	14.5 (.571)	10.5 (.413)					
	3/8	9	14-9		UL SF	9.8 (.386)	16.0 (.630)	32.8(1.291)	14.5 (.571)	10.5 (.413)					
	3/8	10	14-10	*R14-10	UL SF JIS	10.5 (.413)	16.0 (.630)	32.8(1.291)	14.5 (.571)	10.5 (.413)					
	3/8	10	14-L10		UL SF	10.5 (.413)	22.0 (.866)	41.0(1.614)	19.5 (.739)	10.5 (.413)					
	7/16	11	14-11		UL SF	11.5 (.453)	22.0 (.866)	41.0(1.614)	19.5 (.739)	10.5 (.413)					
	1/2	12	14-12	*R14-12	UL SF JIS	13.0 (.512)	22.0 (.866)	41.0(1.614)	19.5 (.739)	10.5 (.413)					
	1/2	14	14-14	*R14-14	UL SF JIS	15.0 (.591)	30.0(1.181)	49.0(1.929)	23.5 (.925)	10.5 (.413)					
5/8	16	14-16			17.0 (.669)	31.6(1.244)	51.5(2.028)	25.2 (.992)	10.5 (.413)						
11/16	18	14-18		UL SF	19.0 (.748)	31.6(1.244)	51.5(2.028)	25.2 (.992)	10.5 (.413)						
3/4	20	14-20			21.0 (.827)	31.6(1.244)	51.5(2.028)	25.2 (.992)	10.5 (.413)						
4 (16.78 to 26.66)	10	5	22-5NS			5.3 (.209)	9.5 (.374)	28.7(1.130)	12.0 (.472)	12.0 (.472)	11.5 (.453)	7.7 (.303)	1.8 (.071)	YA-5 YPT-60N YPT-150-1 BCT-860N BCT-8150 YF-1 YET-60-1 E-4 YET-150-1	100
	10	5	22-S5		UL SF	5.3 (.209)	12.0 (.472)	30.0(1.181)	12.0 (.472)						
	10	5	22-5			5.3 (.209)	16.5 (.650)	33.7(1.327)	13.5 (.531)						
	1/4	6	22-S6			6.4 (.252)	12.0 (.472)	30.0(1.181)	12.0 (.472)						
	1/4	6	22-6	R22-6	UL SF JIS	6.4 (.252)	16.5 (.650)	33.7(1.327)	13.5 (.531)						
	5/16	8	22-S8		UL SF	8.4 (.331)	12.0 (.427)	30.0(1.181)	12.0 (.472)						
	5/16	8	22-8	R22-8	UL SF JIS	8.4 (.331)	16.5 (.650)	33.7(1.327)	13.5 (.531)						
	3/8	9	22-9		UL SF	9.8 (.386)	17.5 (.689)	36.7(1.445)	16.0 (.630)						
	3/8	10	22-S10		UL SF	10.5 (.413)	16.5 (.650)	33.7(1.327)	13.5 (.531)						
	3/8	10	22-10	R22-10	UL SF JIS	10.5 (.413)	17.5 (.689)	36.7(1.445)	16.0 (.630)						
	7/16	11	22-11		UL SF	11.5 (.453)	22.0 (.866)	42.5(1.673)	19.5 (.768)						
	1/2	12	22-12	R22-12	UL SF JIS	13.0 (.512)	22.0 (.866)	42.5(1.673)	19.5 (.768)						
	1/2	14	22-14		UL SF	15.0 (.591)	30.0(1.181)	51.5(2.038)	24.5 (.965)						
	5/8	16	22-16			17.0 (.669)	30.0(1.181)	51.5(2.028)	24.5 (.965)						
11/16	18	22-18		UL SF	19.0 (.748)	30.0(1.181)	51.5(2.028)	24.5 (.965)							
3/4	20	22-20			21.0 (.827)	30.0(1.181)	51.5(2.028)	24.5 (.965)							

Note:1) Products with the JIS mark  conform to JIS C2805.  
 2) Delivery lead times may vary depending on the product. Contact JST for details.  
 3) The product with "\*" marking contains JIS recognition number of JQID08002.

Solderless terminals

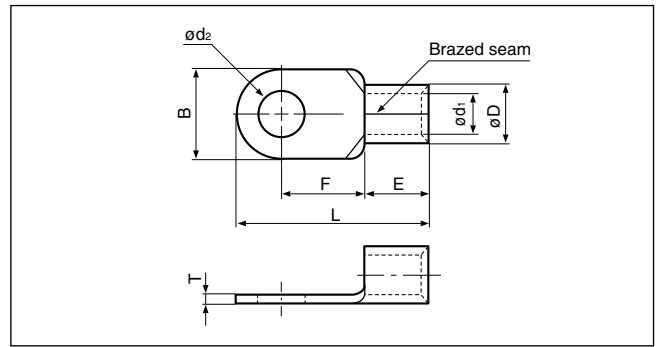
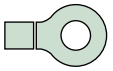


**RING TONGUE (R type) Non-insulated**



Applicable Wire AWG#(mm <sup>2</sup> )	Stud size		Part No.		Standard	Dimensions mm (in.)								Tool No.	Qty/box
	American	Metric	JST	JIS		ød <sub>2</sub>	B	L	F	E	øD	ød <sub>1</sub>	T		
2 (26.66 to 42.42)	10	5	38-S5		UL SP	5.3 (.209)	15.5 (.610)	38.0(1.496)	16.0 (.630)	14.0 (.551)	13.3 (.524)	9.4 (.370)	1.8 (.071)	YA-5 YPT-60N YPT-150-1 BCT-860N BCT-8150 YF-1 YET-60-1 E-4 YET-150-1	100
	10	5	38-5			5.3 (.209)	22.0 (.866)	42.7(1.681)	17.7 (.697)						
	1/4	6	38-S6			6.4 (.252)	15.5 (.610)	38.0(1.496)	16.0 (.630)						
	1/4	6	38-6			6.4 (.252)	22.0 (.866)	42.7(1.681)	17.7 (.697)						
	5/16	8	38-S8		UL SP JIS	8.4 (.331)	15.5 (.610)	38.0(1.496)	16.0 (.630)						
	5/16	8	38-8	R38-8		8.4 (.331)	22.0 (.866)	42.7(1.681)	17.7 (.697)						
	5/16	8	38-L8		UL SP	8.4 (.331)	30.0(1.181)	52.5(2.067)	23.5 (.925)						
	3/8	9	38-9			9.8 (.386)	22.0 (.866)	42.7(1.681)	17.7 (.697)						
	3/8	9	38-S9			9.8 (.386)	27.0(1.063)	38.0(1.496)	16.0 (.630)						
	3/8	10	38-S10			10.5 (.413)	15.5 (.610)	38.0(1.496)	16.0 (.630)						
	3/8	10	38-10	R38-10	UL SP JIS	10.5 (.413)	22.0 (.866)	42.7(1.681)	17.7 (.697)						
	3/8	10	38-L10		UL SP	10.5 (.413)	30.0(1.181)	52.5(2.067)	23.5 (.925)						
	7/16	11	38-11		UL SP	11.5 (.453)	22.0 (.866)	42.7(1.681)	17.7 (.697)						
	1/2	12	38-12	R38-12	UL SP JIS	13.0 (.512)	22.0 (.866)	42.7(1.681)	17.7 (.697)						
	1/2	14	38-14	R38-14	UL SP JIS	15.0 (.591)	30.0(1.181)	52.5(2.067)	23.5 (.925)						
	5/8	16	38-16		UL SP	17.0 (.669)	30.0(1.181)	52.5(2.067)	23.5 (.925)						
11/16	18	38-18		19.0 (.748)		30.0(1.181)	52.5(2.067)	23.5 (.925)							
3/4	20	38-20		UL SP	21.0 (.827)	30.0(1.181)	52.5(2.067)	23.5 (.925)							
1/0 (42.42 to 60.57)	-	-	60-S0		UL SP	-	22.0 (.866)	49.7(1.957)	20.7 (.815)	18.0 (.709)	15.5 (.610)	11.4 (.449)	2.0 (.079)	YA-5 YPT-60N YPT-150-1 BCT-860N BCT-8150 YF-1 YET-60-1 E-4 YET-150-1 YET-300-1 YET-300N	50
	1/4	6	60-S6		UL	6.4 (.252)	16.0 (.630)	46.7(1.839)	20.7 (.815)						
	1/4	6	60-6		UL SP	6.4 (.252)	22.0 (.866)	49.7(1.957)	20.7 (.815)						
	5/16	8	60-S8		UL SP	8.4 (.331)	16.0 (.630)	46.7(1.839)	20.7 (.815)						
	5/16	8	60-8	R60-8	UL SP JIS	8.4 (.331)	22.0 (.866)	49.7(1.957)	20.7 (.815)						
	3/8	9	60-9		UL SP	9.8 (.386)	22.0 (.866)	49.7(1.957)	20.7 (.815)						
	3/8	10	60-S10		UL SP JIS	10.5 (.413)	16.0 (.630)	46.7(1.839)	20.7 (.815)						
	3/8	10	60-10	R60-10		10.5 (.413)	22.0 (.866)	49.7(1.957)	20.7 (.815)						
	7/16	11	60-11		UL SP	11.5 (.453)	22.0 (.866)	49.7(1.957)	20.7 (.815)						
	1/2	12	60-12	R60-12	UL SP JIS	13.0 (.512)	22.0 (.866)	49.7(1.957)	20.7 (.815)						
	1/2	14	60-14	R60-14	UL SP JIS	15.0 (.591)	32.0(1.260)	57.5(2.264)	23.5 (.925)						
	5/8	16	60-16		UL SP	17.0 (.669)	32.0(1.260)	57.5(2.264)	23.5 (.925)						
	11/16	18	60-18			19.0 (.748)	32.0(1.260)	57.5(2.264)	23.5 (.925)						
3/4	20	60-20		21.0 (.827)		32.0(1.260)	57.5(2.264)	23.5 (.925)							
7/8	22	60-22		23.0 (.906)		32.0(1.260)	57.5(2.264)	23.5 (.925)							
2/0 (60.57 to 76.28)	1/4	6	70-6		UL SP	6.4 (.252)	24.0 (.945)	51.0(2.008)	20.0 (.787)	19.0 (.748)	17.5 (.689)	13.3 (.524)	2.0 (.079)	YPT-150-1 BCT-8150 YF-1 YET-150-1 E-4 YET-300-1 YET-300N	25
	5/16	8	70-8			8.4 (.331)	24.0 (.945)	51.0(2.008)	20.0 (.787)						
	3/8	9	70-9			9.8 (.386)	24.0 (.945)	51.0(2.008)	20.0 (.787)						
	3/8	10	70-10			10.5 (.413)	24.0 (.945)	51.0(2.008)	20.0 (.787)						
	7/16	11	70-11			11.5 (.453)	24.0 (.945)	51.0(2.008)	20.0 (.787)						
	1/2	12	70-12			13.0 (.512)	24.0 (.945)	51.0(2.008)	20.0 (.787)						
	1/2	14	70-14			15.0 (.591)	32.0(1.260)	61.0(2.402)	26.0(1.024)						
	5/8	16	70-16			17.0 (.669)	32.0(1.260)	61.0(2.402)	26.0(1.024)						
	11/16	18	70-18			19.0 (.748)	32.0(1.260)	61.0(2.402)	26.0(1.024)						
	3/4	20	70-20			21.0 (.827)	32.0(1.260)	61.0(2.402)	26.0(1.024)						
	7/8	22	70-22			23.0 (.906)	32.0(1.260)	61.0(2.402)	26.0(1.024)						

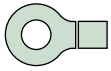
Note: 1) Products with the JIS mark conform to JIS C2805.  
 2) Part numbers containing "S0" do not have stud holes.  
 3) Delivery lead times may vary depending on the product. Contact JST for details.



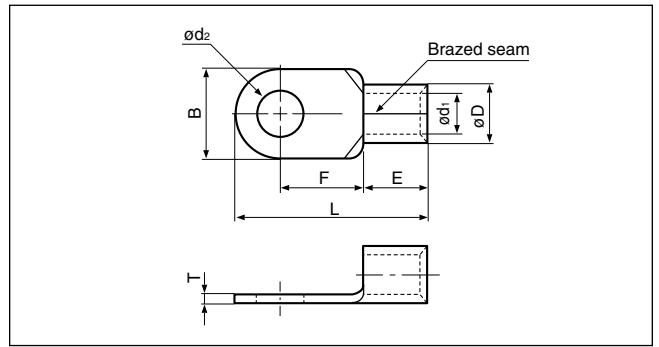
Applicable Wire AWG#(mm <sup>2</sup> )	Stud size		Part No.		Standard	Dimensions mm (in.)								Tool No.	Qty/box
	American	Metric	JST	JIS		$\phi d_2$	B	L	F	E	$\phi D$	$\phi d_1$	T		
3/0 (76.28 to 96.3)	-	-	80-S0		UL CSA JIS	-	27.0(1.063)	54.2(2.134)	20.7 (.815)	20.0 (.787)	19.5 (.768)	14.5 (.571)	2.3 (.091)	YPT-150-1 BCT-8150 YF-1 YET-150-1 E-4 YET-300-1  YET-300N	25
	1/4	6	80-6			6.4 (.252)	27.0(1.063)	54.2(2.134)	20.7 (.815)						
	5/16	8	80-8			8.4 (.331)	27.0(1.063)	54.2(2.134)	20.7 (.815)						
	5/16	8	80-L8			8.4 (.331)	32.0(1.260)	68.0(2.677)	32.0(1.260)						
	3/8	9	80-9			9.8 (.386)	27.0(1.063)	54.2(2.134)	20.7 (.815)						
	3/8	10	80-10			10.5 (.413)	27.0(1.063)	54.2(2.134)	20.7 (.815)						
	3/8	10	80-L10			10.5 (.413)	32.0(1.260)	68.0(2.677)	32.0(1.260)						
	7/16	11	80-11			11.5 (.453)	27.0(1.063)	54.2(2.134)	20.7 (.815)						
	1/2	12	80-12			13.0 (.512)	27.0(1.063)	54.2(2.134)	20.7 (.815)						
	1/2	12	80-L12			13.0 (.512)	32.0(1.260)	68.0(2.677)	32.0(1.260)						
	1/2	14	80-14			15.0 (.591)	32.0(1.260)	68.0(2.677)	32.0(1.260)						
	5/8	16	80-16			17.0 (.669)	32.0(1.260)	68.0(2.677)	32.0(1.260)						
	11/16	18	80-18			19.0 (.748)	32.0(1.260)	68.0(2.677)	32.0(1.260)						
	3/4	20	80-20			21.0 (.827)	32.0(1.260)	68.0(2.677)	32.0(1.260)						
4/0 (96.3 to 117.2)	-	-	100-S0		UL CSA JIS	-	28.5(1.122)	55.6(2.189)	20.4 (.803)	21.0 (.827)	22.3 (.878)	16.4 (.646)	2.6 (.102)	YPT-150-1 BCT-8150 YF-1 YET-150-1 E-4 YET-300-1  YET-300N	25
	-	-	100-L0			-	32.0(1.260)	69.0(2.717)	32.0(1.260)						
	1/4	6	100-6			6.4 (.252)	28.5(1.122)	55.6(2.189)	20.4 (.803)						
	5/16	8	100-8			8.4 (.331)	28.5(1.122)	55.6(2.189)	20.4 (.803)						
	5/16	8	100-L8			8.4 (.331)	32.0(1.260)	69.0(2.717)	32.0(1.260)						
	3/8	9	100-9			9.8 (.386)	28.5(1.122)	55.6(2.189)	20.4 (.803)						
	3/8	10	100-10	R100-10		10.5 (.413)	28.5(1.122)	55.6(2.189)	20.4 (.803)						
	3/8	10	100-L10			10.5 (.413)	32.0(1.260)	69.0(2.717)	32.0(1.260)						
	7/16	11	100-11			11.5 (.453)	28.5(1.122)	55.6(2.189)	20.4 (.803)						
	1/2	12	100-12	R100-12		13.0 (.512)	28.5(1.122)	55.6(2.189)	20.4 (.803)						
	1/2	12	100-L12			13.0 (.512)	32.0(1.260)	69.0(2.717)	32.0(1.260)						
	1/2	14	100-14	R100-14		15.0 (.591)	32.0(1.260)	69.0(2.717)	32.0(1.260)						
	5/8	16	100-16	R100-16		17.0 (.669)	32.0(1.260)	69.0(2.717)	32.0(1.260)						
	11/16	18	100-18	R100-18		19.0 (.748)	32.0(1.260)	69.0(2.717)	32.0(1.260)						
3/4	20	100-20	R100-20	21.0 (.827)	32.0(1.260)	69.0(2.717)	32.0(1.260)								
7/8	22	100-22		23.0 (.906)	32.0(1.260)	69.0(2.717)	32.0(1.260)								

Note: 1) Products with the JIS mark (JIS) conform to JIS C2805.  
 2) Part numbers containing "S0" or "L0" do not have stud holes.  
 3) Delivery lead times may vary depending on the product. Contact JST for details.

Solderless terminals

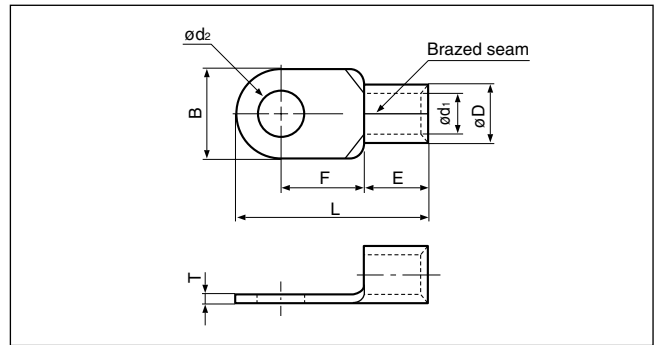
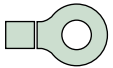


**RING TONGUE (R type) Non-insulated**



Applicable Wire AWG#(mm <sup>2</sup> )	Stud size		Part No.	Standard	Dimensions mm (in.)								Tool No.	Qty/box	
	American	Metric			od <sub>2</sub>	B	L	F	E	øD	od <sub>1</sub>	T			
250/300 (117.2 to 152.05)	-	-	150-S0	UL LF000	-	36.0(1.417)	66.0(2.600)	23.0 (.906)	27.0 (1.063)	26.5 (1.043)	19.5 (.768)	3.2 (.126)	YPT-150-1 BCT-8150 YF-1 YET-150-1 E-4 YET-300-1  YET-300N	20	
	-	-	150-L0		-	36.0(1.417)	81.0(3.189)	36.0(1.417)							
	1/4	6	150-6		6.4 (.252)	36.0(1.417)	66.0(2.600)	23.0 (.906)							
	5/16	8	150-8		8.4 (.331)	36.0(1.417)	66.0(2.600)	23.0 (.906)							
	5/16	8	150-L8		8.4 (.331)	36.0(1.417)	81.0(3.189)	36.0(1.417)							
	3/8	9	150-9		9.8 (.386)	36.0(1.417)	66.0(2.600)	23.0 (.906)							
	3/8	10	*R150-10		UL LF000	10.5 (.413)	36.0(1.417)	66.0(2.600)							21.0 (.827)
	3/8	10	150-10		10.5 (.413)	36.0(1.417)	66.0(2.600)	23.0 (.906)							
	3/8	10	150-L10		UL LF000	10.5 (.413)	36.0(1.417)	81.0(3.189)							36.0(1.417)
	7/16	11	150-11		11.5 (.453)	36.0(1.417)	66.0(2.600)	23.0 (.906)							
	1/2	12	*R150-12	UL LF000	13.0 (.512)	36.0(1.417)	66.0(2.600)	21.0 (.827)							
	1/2	12	150-12	13.0 (.512)	36.0(1.417)	66.0(2.600)	23.0 (.906)								
	1/2	12	150-L12	UL LF000	13.0 (.512)	36.0(1.417)	81.0(3.189)	36.0(1.417)							
	1/2	14	*R150-14	UL LF000	15.0 (.591)	36.0(1.417)	68.0(2.677)	23.0 (.906)							
	5/8	16	150-16	17.0 (.669)	36.0(1.417)	66.0(2.600)	23.0 (.906)								
	5/8	16	*R150-16	UL LF000	17.0 (.669)	36.0(1.417)	68.0(2.677)	23.0 (.906)							
	5/8	16	150-L16	UL LF000	17.0 (.669)	36.0(1.417)	81.0(3.189)	36.0(1.417)							
	11/16	18	*R150-18	UL LF000	19.0 (.748)	36.0(1.417)	81.0(3.189)	36.0(1.417)							
	3/4	20	*R150-20	UL LF000	21.0 (.827)	36.0(1.417)	81.0(3.189)	36.0(1.417)							
	7/8	22	150-22	23.0 (.906)	36.0(1.417)	81.0(3.189)	36.0(1.417)								
15/16	24	150-24	UL LF000	25.0 (.984)	36.0(1.417)	81.0(3.189)	36.0(1.417)								
1	27	150-27	28.0(1.102)	36.0(1.417)	81.0(3.189)	36.0(1.417)									
350 (152.05 to 192.60)	-	-	180-S0	UL LF000	-	38.5(1.516)	69.0(2.717)	24.5 (.965)	28.5 (1.122)	28.5 (1.122)	21.0 (.827)	3.5 (.138)	YF-1 YET-300-1 E-4 YET-300N	20	
	-	-	180-L0		-	38.5(1.516)	86.8(3.417)	39.0(1.535)							
	5/16	8	180-8		8.4 (.331)	38.5(1.516)	69.0(2.717)	24.5 (.965)							
	5/16	8	180-L8		8.4 (.331)	38.5(1.516)	86.8(3.417)	39.0(1.535)							
	3/8	10	180-10		10.5 (.413)	38.5(1.516)	69.0(2.717)	24.5 (.965)							
	3/8	10	180-L10		10.5 (.413)	38.5(1.516)	86.8(3.417)	39.0(1.535)							
	7/16	11	180-11		11.5 (.453)	38.5(1.516)	69.0(2.717)	24.5 (.965)							
	1/2	12	180-12		13.0 (.512)	38.5(1.516)	69.0(2.717)	24.5 (.965)							
	1/2	12	180-L12		13.0 (.512)	38.5(1.516)	86.8(3.417)	39.0(1.535)							
	1/2	14	180-14		15.0 (.591)	38.5(1.516)	69.0(2.717)	24.5 (.965)							
	5/8	16	180-L16		17.0 (.669)	38.5(1.516)	86.8(3.417)	39.0(1.535)							
	5/8	16	180-16		17.0 (.669)	38.5(1.516)	69.0(2.717)	24.5 (.965)							
	11/16	18	180-18		19.0 (.748)	38.5(1.516)	86.8(3.417)	39.0(1.535)							
	3/4	20	180-20		21.0 (.827)	38.5(1.516)	86.8(3.417)	39.0(1.535)							
	7/8	22	180-22		23.0 (.906)	38.5(1.516)	86.8(3.417)	39.0(1.535)							
	15/16	24	180-24		25.0 (.984)	38.5(1.516)	86.8(3.417)	39.0(1.535)							
	1	27	180-27		28.0(1.102)	38.5(1.516)	86.8(3.417)	39.0(1.535)							

- Note: 1) Products with the JIS mark conform to JIS C2805.  
 2) Part numbers containing "S0" or "L0" do not have stud holes.  
 3) Delivery lead times may vary depending on the product. Contact JST for details.  
 4) The product with "\*" marking contains JIS recognition number of JQID08002.



Applicable Wire AWG#(mm <sup>2</sup> )	Stud size		Part No.	Standard	Dimensions mm (in.)								Tool No.	Qty/box
	American	Metric			$\phi d_2$	B	L	F	E	$\phi D$	$\phi d_1$	T		
400 (192.60 to 242.27)	-	-	200-S0	UL SP JIS	-	44.0(1.732)	72.0(2.835)	24.5 (.965)	31.5 (1.240)	32.7 (1.287)	24.0 (.945)	4.0 (.157)	YF-1 YET-300-1 E-4 YET-300N	10
	-	-	200-L0		-	44.0(1.732)	91.0(3.583)	37.5(1.476)						
	12/16	8	200-8		8.4 (.331)	44.0(1.732)	72.0(2.835)	24.5 (.965)						
	5/16	8	200-L8		8.4 (.331)	44.0(1.732)	91.0(3.583)	37.5(1.476)						
	3/8	9	200-9		9.8 (.386)	44.0(1.732)	72.0(2.835)	24.5 (.965)						
	3/8	10	200-10		10.5 (.413)	44.0(1.732)	72.0(2.835)	24.5 (.965)						
	3/8	10	200-L10		10.5 (.413)	44.0(1.732)	91.0(3.583)	37.5(1.476)						
	7/16	11	200-11		11.5 (.453)	44.0(1.732)	72.0(2.835)	24.5 (.965)						
	1/2	12	200-12		13.0 (.512)	44.0(1.732)	72.0(2.835)	24.5 (.965)						
	1/2	12	*R200-12		13.0 (.512)	44.0(1.732)	78.0(3.071)	24.5 (.965)						
	1/2	12	200-L12		13.0 (.512)	44.0(1.732)	91.0(3.583)	37.5(1.476)						
	1/2	14	200-14		15.0 (.591)	44.0(1.732)	72.0(2.835)	24.5 (.965)						
	1/2	14	*R200-14		15.0 (.591)	44.0(1.732)	78.0(3.071)	24.5 (.965)						
	5/8	16	200-16		17.0 (.669)	44.0(1.732)	72.0(2.835)	24.5 (.965)						
	5/8	16	*R200-16		17.0 (.669)	44.0(1.732)	78.0(3.071)	24.5 (.965)						
	5/8	16	200-L16		17.0 (.669)	44.0(1.732)	91.0(3.583)	37.5(1.476)						
	11/16	18	*R200-18		19.0 (.748)	44.0(1.732)	91.0(3.583)	37.5(1.476)						
	3/4	20	*R200-20		21.0 (.827)	44.0(1.732)	91.0(3.583)	37.5(1.476)						
7/8	22	*R200-22	23.0 (.906)	44.0(1.732)	91.0(3.583)	37.5(1.476)								
15/16	24	*R200-24	25.0 (.984)	44.0(1.732)	91.0(3.583)	37.5(1.476)								
1	27	*R200-27	28.0(1.102)	44.0(1.732)	91.0(3.583)	37.5(1.476)								
N.A. (250)	1/2	12	250-12	13.0 (.512)	44.0(1.732)	78.0(3.071)	24.5 (.965)	31.5 (1.240)	35.6 (1.402)	26.0 (1.024)	4.5 (.177)	YF-1  E-4 YET-300-1		
	1/2	14	250-14	15.0 (.591)										
	5/8	16	250-16	17.0 (.669)										
600/650 (242.27 to 325)	-	-	325-S0	UL SP JIS	-	50.5(1.988)	88.0(3.465)	33.5(1.319)	35.5 (1.398)	37.6 (1.480)	28.0 (1.102)	4.5 (.177)	YF-1 YET-300-1 E-4 YET-300N	5
	-	-	325-L0		-	50.5(1.988)	105.7(4.161)	45.0(1.772)						
	12/16	8	325-8		8.4 (.331)	50.5(1.988)	88.0(3.465)	33.5(1.319)						
	5/16	8	325-L8		8.4 (.331)	50.5(1.988)	105.7(4.161)	45.0(1.772)						
	3/8	10	325-10		10.5 (.413)	50.5(1.988)	88.0(3.465)	33.5(1.319)						
	3/8	10	325-L10		10.5 (.413)	50.5(1.988)	105.7(4.161)	45.0(1.772)						
	7/16	11	325-11		11.5 (.453)	50.5(1.988)	88.0(3.465)	33.5(1.319)						
	1/2	12	325-12		13.0 (.512)	50.5(1.988)	88.0(3.465)	33.5(1.319)						
	1/2	12	325-L12		13.0 (.512)	50.5(1.988)	105.7(4.161)	45.0(1.772)						
	1/2	14	325-14		15.0 (.591)	50.5(1.988)	88.0(3.465)	33.5(1.319)						
	5/8	16	325-16		17.0 (.669)	50.5(1.988)	88.0(3.465)	33.5(1.319)						
	5/8	16	R325-16		17.0 (.669)	50.5(1.988)	94.2(3.709)	33.5(1.319)						
	5/8	16	325-L16		17.0 (.669)	50.5(1.988)	105.7(4.161)	45.0(1.772)						
	11/16	18	325-M18		19.0 (.748)	50.5(1.988)	94.2(3.709)	33.5(1.319)						
	11/16	18	R325-18		19.0 (.748)	50.5(1.988)	105.7(4.161)	45.0(1.772)						
	3/4	20	R325-20		21.0 (.827)	50.5(1.988)	105.7(4.161)	45.0(1.772)						
	7/8	22	R325-22		23.0 (.906)	50.5(1.988)	105.7(4.161)	45.0(1.772)						
	15/16	24	R325-24		25.0 (.984)	50.5(1.988)	105.7(4.161)	45.0(1.772)						
1	27	R325-27	28.0(1.102)	50.5(1.988)	105.7(4.161)	45.0(1.772)								

- Note: 1) Products with the JIS mark (JIS) conform to JIS C2805.  
 2) Part numbers containing "S0" or "L0" do not have stud holes.  
 3) Delivery lead times may vary depending on the product. Contact JST for details.  
 4) The product with "\*" marking contains JIS recognition number of JQID08002.