

SPECIFICATIONS

Rated(额定参数): 300V,30A
 Dielectric strength(抗电强度): AC3000V/1 Minute
 Insulation Resistance(绝缘电阻):1000MΩ Min
 Contact Resistance(接触电阻):20mΩ Max
 Screw Torque(扭矩): 0.5Nm (4.4Lb.in)
 Wire Range(线径):10~26AWG
 Strip length(剥线长度):6~7mm
 Temp. range(操作温度):-40℃~+105℃
 MAX Soldering(瞬时温度):+250℃,5s

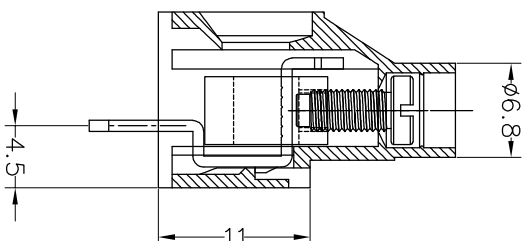
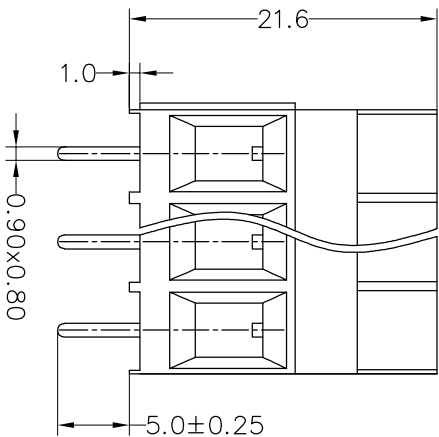
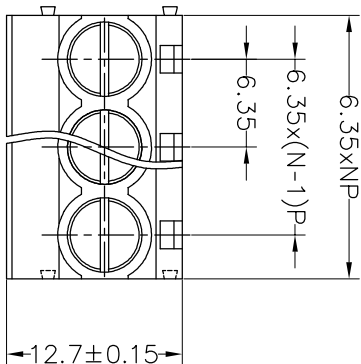
Housing Material(塑件): PA66 (UL94 V-0)
 Contact(端子): Brass, Tin plating(黄铜镀锡)
 Clamp(方块): Brass/Steel(铜/铁), Ni plating(镍镀)
 Screw (螺丝): M3.0, Steel, Zinc plating(钢,镀锌)

	PITCH RANGE		NOMINAL DIMENSION RANGE					
	IN MM		IN MM		IN MM		IN MM	
TO	OVER	OVER	OVER	OVER	OVER	OVER	OVER	OVER
6	10	10	30	60	100	100	150	150
TO	TO	TO	TO	TO	TO	TO	TO	TO
10	24	30	60	100	150	150	150	150
±0.10	±0.15	±0.25	±0.30	±0.30	±0.50	±0.70	±1.00	±1.00

Ordering Information

JL 636 - 635 XX G X 1

Pitch
635=6.35PH
No. of pins
2P,3P,4P~24P
Housing Color
B=Black
G=Green
U=Blue
R=Red
W=White
Y=Yellow
O=Orange
F=Grey
Packing
O=Pe, bog
T=Tube
A=Tray



OPERATION		DRAW		BEN		17.01.04		SCALE		FIT		PART NO.	
XX	±0.30							UNIT	mm			SIZE	A4
X:XX	±0.20	CHECK						SHEET	1/1	PROU.		SHEET	
X:XXX	±0.10	APPROVE										TITLE:	
Angle	±3°											6.35mm Terminal Blocks Female	
DIM	TOL												
CHANGE													
DATE	MODIFICATION DESCRIPTION												
REV													
A0	2017.01.04	NEW DRAWING										JL636-635XXGX1	
1												深圳市锦凌电子有限公司	

JILIN® 深圳市锦凌电子有限公司
 SHENZHEN JINLING ELECTRONIC CO.,LTD
 Tel: 86-755-2997-5806/5802 Fax: 86-755-2997-5992