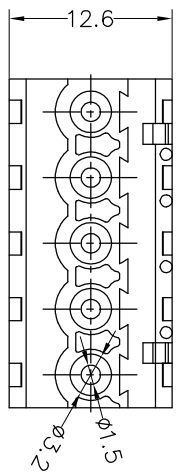


SPECIFICATIONS

Rated(额定参数): 300V,15A
 Dielectric strength(抗电强度): AC2500V/1 Minute
 Insulation Resistance(绝缘电阻):5000MΩ Min
 Contact Resistance(接触电阻):20mΩ Max
 Screw Torque(扭矩): 0.4Nm (3.5lb.in)
 Wire Range(线径):1.2~28AWG
 Strip length(剥线长度):7-8mm
 Temp. range(操作温度): -40℃~+105℃
 MAX Soldering(瞬时温度):+260℃,5s



PITCH RANGE IN MM	NOMINAL DIMENSION RANGE IN MM			
	OVER	TO	OVER	TO
6 TO 6	10	10	30	60
10 TO 10	24	24	60	100
±0.10	±0.15	±0.25	±0.30	±0.50
			±0.30	±0.70
				±1.00

Housing Material(塑件): PA66 (UL94 V-0)
 Contact(端子): Phosphor Bronze, Tin plating(磷铜镀锡)
 Clamp(方块): Brass/Steel(铜/铁), Ni plating(镀镍)
 Screw (螺丝): M2.5, Steel, Zinc plating(钢 镀锌)

Ordering Information

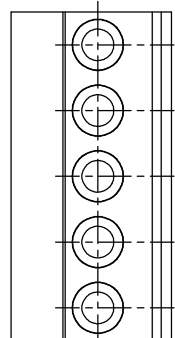
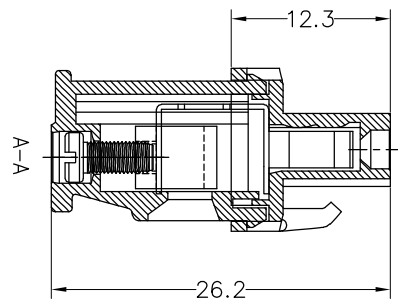
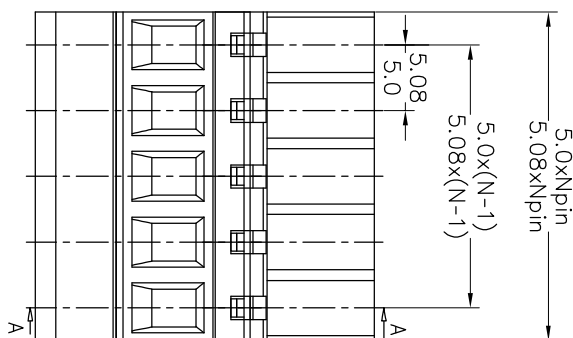
JL2EDGKA - XXX XX X X 1

Pitch
 500=5.00PH
 508=5.08PH

No. of pins
 2P,3P,4P~24P

Housing Color
 B=Black
 G=Green
 U=Blue
 R=Red
 W=White
 Y=Yellow
 O=Orange
 F=Grey

Packing
 0=Pe
 T=Tube
 A=Tray



REV	DATE	MODIFICATION DESCRIPTION	CHANGE	DIM	TOL	APPROVE	SCALE	FIT	PART NO.	TITLE:
A0	2015.08.22	NEW DRAWING		X:XXX Angle	±0.10 ±3'	CHECK APPROVE	UNIT mm	A4 1/1	JL2EDGKA-XXXXXXX1	5.00/5.08 Pluggbble Terminal Blocks
1				XX X:XX	±0.30 ±0.20	DRAW CHECK				

JILIN 深圳市锦凌电子有限公司
 SHENZHEN JINLING ELECTRONIC CO.,LTD
 Tel: 86-755-2997-5806/5802 Fax: 86-755-2997-5992