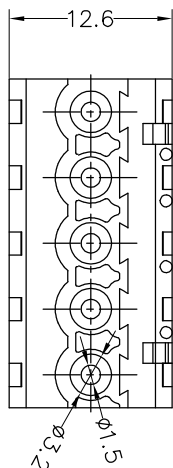


1 2 3 4 5 6 7 8 9

SPECIFICATIONS

Rated(额定参数): 300V,15A
 Dielectric strength(抗电强度): AC2500V/1 Minute
 Insulation Resistance(绝缘电阻):5000MΩ Min
 Contact Resistance(接触电阻):20mΩ Max
 Screw Torque(扭矩): 0.4Nm (3.5lb.in)
 Wire Range(线径):1.2~28AWG
 Strip length(剥线长度):7~8mm
 Temp. range(操作温度): -40℃~+105℃
 MAX Soldering(瞬时温度):+260℃,5s



Housing Material(塑件): PA66 (UL94 V-0)
 Contact(端子): Phosphor Bronze, Tin plating(磷铜镀锡)
 Clamp(方块): Brass/Steel(铜/铁), Ni plating(镀镍)
 Screw (螺丝): M2.5, Steel, Zinc plating(钢 镀锌)

PITCH RANGE IN MM	NOMINAL DIMENSION RANGE IN MM					
	OVER 6	OVER 10	OVER TO 24	OVER 30	OVER TO 60	OVER TO 100
±0.10	±0.15	±0.25	±0.30	±0.30	±0.50	±1.00

Ordering Information

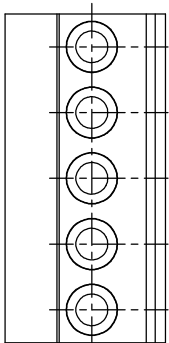
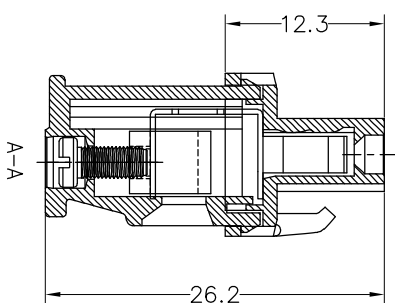
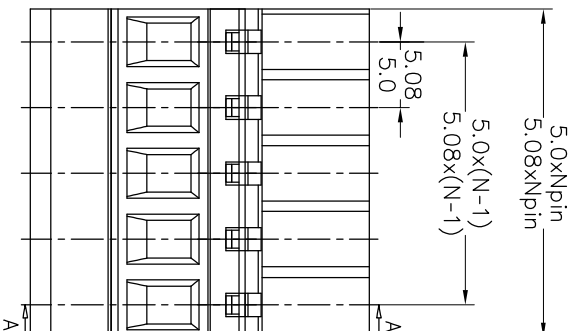
JL2EDGKA - XXX XX X X 1

Pitch
500=5.00PH
508=5.08PH

No.of pins
2P,3P,4P~24P

Housing Color
B=Black
G=Green
U=Blue
R=Red
W=White
Y=Yellow
O=Orange
E=Grey

Packing
0=Pe
T=Tube
A=Tray



REV	DATE	MODIFICATION DESCRIPTION	CHANGE
A0	2015.08.22	NEW DRAWING	
1			

OPERATION		DRAW	BEN	15.08.22
XX	±0.30			
X.XX	±0.20	CHECK		
X.XXX	±0.10			
Angle	±3'	APPROVE		
DIM	TOL			

SCALE	FIT	PART NO.
UNIT	mm	JL2EDGKA-XXXXXXX1
SIZE	A4	
SHEET	1/1	
PROU.		
TITLE:	5.00/5.08 Pluggbble Terminal Blocks	

JILIN 深圳市锦凌电子有限公司
 SHENZHEN JINLING ELECTRONIC CO.,LTD
 Tel: 86-755-2997-5806/5802 Fax: 86-755-2997-5992