

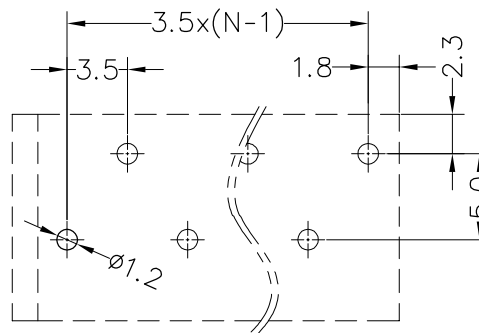
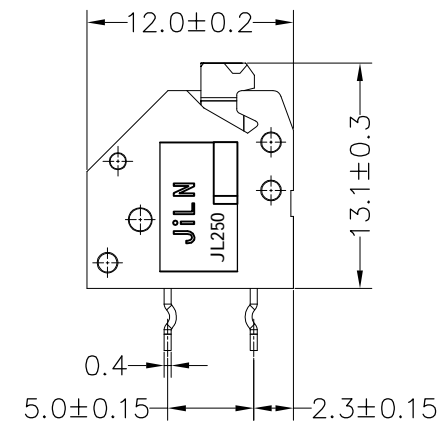
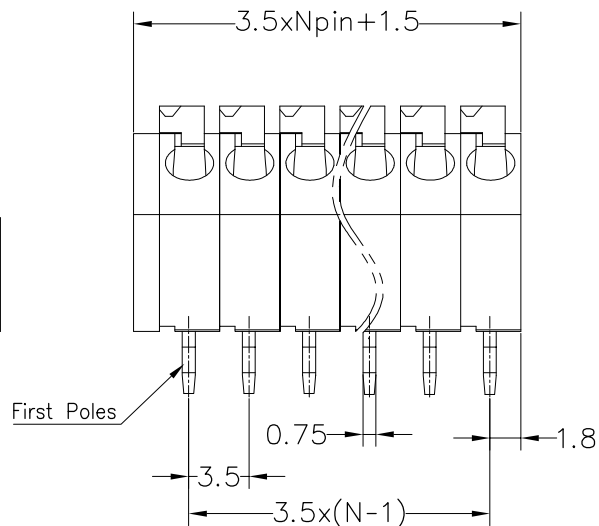
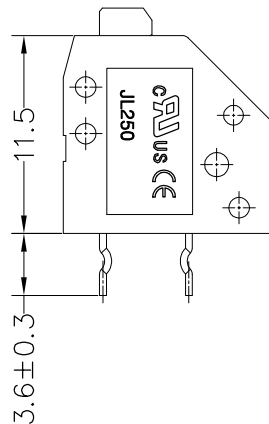
HSF RoHS

SPECIFICATIONS

Rated(额定参数): 300V,8A
 Dielectric strength(抗电强度): AC2000V/1 Minute
 Insulation Resistance(绝缘电阻):1000MΩ Min
 Contact Resistance(接触电阻):20mΩ Max
 Wire Range(线径):22~16AWG
 Strip length(剥线长度):8.5~9.5mm
 Temp. range(操作温度): -40℃~+105℃
 MAX Soldering(瞬时温度):+250℃,5s

Housing Material(塑件): PA66 (UL94 V-0)
 Contact(端子): Brass, Tin plating(黄铜镀锡)

PITCH RANGE IN MM			NOMINAL DIMENSION RANGE IN MM				
TO	OVER	OVER	TO	OVER	OVER	OVER	OVER
6	6 TO 10	10 TO 24	30	30 TO 60	60 TO 100	100 TO 150	150
±0.10	±0.15	±0.25	±0.30	±0.30	±0.50	±0.70	±1.00



Recommended P.C.B Layout(Top Side)
 (PCB BOARD TOLERANCE±0.05)

A-Type

Ordering Information

JL250 A - 350 XX X X 1

- A=A-Type
- B=B-Type
- Pitch 350=3.5PH
- No.of pins 2P~24P
- Housing Color
 B=Black
 G=Green
 U=Blue
 R=Red
 W=White
 Y=Yellow
 O=Orange
 E=Grey
- Packing
 0=Pe bag
 T=Tube
 A=Tray

OPERATION		DRAW	yiyusheng	19.07.16	SCALE	FIT	JILN ® 深圳市锦凌电子有限公司 SHENZHEN JINLING ELECTRONIC CO.,LTD Tel: 86-755-2997-5806/5802 Fax: 86-755-2997-5992	
X.X	±0.30							
X.XX	±0.20	CHECK				A4	PART NO.	JL250A-350XXXX1
X.XXX	±0.10							
Angle	±3°	APPROVE				1/1	TITLE:	3.5mm Spring Terminal Blocks
DIM	TOL							
PROJ.								

REV	DATE	MODIFICATION DESCRIPTION	CHANGE
A0	2019.07.16	NEW DRAWING	