

SPECIFICATIONS

Rated(额定参数): 300V,8A
 Dielectric strength(抗电强度): AC1500V/1 Minute
 Insulation Resistance(绝缘电阻):1000MΩ Min
 Contact Resistance(接触电阻):20mΩ Max
 Screw Torque(扭矩): 0.2Nm (1.7Lb.in)
 Wire Range(线径):28~16AWG
 Strip length(剥线长度):6~7mm
 Temp. range(操作温度): -40℃~+105℃
 MAX Soldering(瞬时温度):+250℃,5s

Housing Material(塑件): PA66 (UL94 V-0)
 Contact(端子): Phosphor Bronze, Tin plating(磷铜镀锡)
 Clamp(方块): Brass(黄铜), Ni plating(镀镍)
 Screw (螺丝): M2.0 Steel, Zinc plating(钢,镀锌)

	PITCH RANGE		NOMINAL DIMENSION RANGE					
	IN MM		IN MM		IN MM		IN MM	
TO	OVER	TO	OVER	TO	OVER	TO	OVER	
6	10	10	30	60	100	100	150	
10	24	30	60	100	150	150	150	
±0.10	±0.15	±0.25	±0.30	±0.30	±0.50	±0.70	±1.00	

Ordering Information

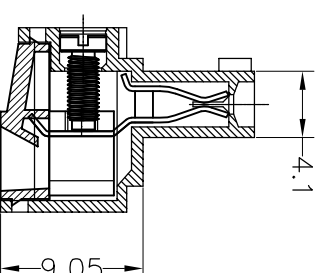
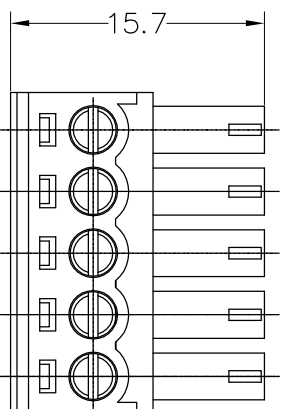
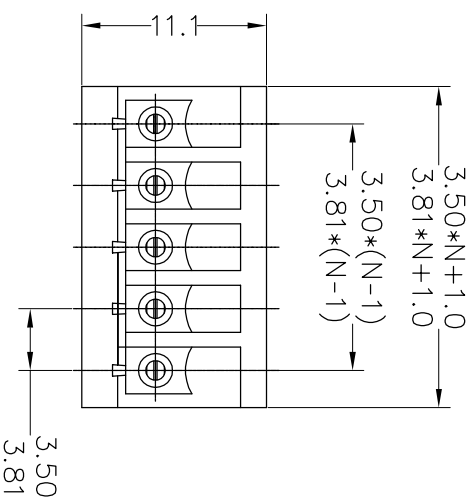
JL15EDGK-XXX XX G X 1

Pitch
 350=3.5PH
 381=3.81PH

No.of pins
 2P,3P,4P~24P

Housing Color
 B=Black
 G=Green
 U=Blue
 R=Red
 W=White
 Y=Yellow
 O=Orange
 E=Grey

Packing
 0=Pe
 bag
 A=Troy



OPERATION	X.X	±0.30	DRAW	BEN	17.01.05	SCALE	FIT	PART NO.	JL15EDGK-XXXXGX1
	X.XX	±0.20				UNIT	mm		
X.XXX	±0.10	CHECK				SIZE	A4		
Angle	±3°		APPROVE			SHEET	1/1	TITLE:	3.50/3.81 Pitch Female Pluggable Terminal Blocks
DIM	TOL					PROU.			
CHANGE									
MODIFICATION DESCRIPTION									
DATE									
REV									
	NEW DRAWING								
	2017.01.05								

JILIN 深圳市锦凌电子有限公司
 SHENZHEN JINLING ELECTRONIC CO.,LTD
 Tel: 86-755-2997-5806/5802 Fax: 86-755-2997-5992