

規格承認書

PECIFICATION FOR APPROVAL

客戶

CUSTOMER : 立創

項目

ITEM : 贴片式压电无源蜂鸣器 (外部驱动)

型號

TYPE : GSC1230YB-3V4000

描述

DESCRIPTION : L12 x W12 x H3.0 mm 4000Hz 3V ≥75DB 侧发音 LCP 材质

客戶料號

CUSTOMER NO. :

規格書號

SPECIFICATION NO.:

版本

EDITION NO. : V1.2

日期

DATE : 2013-3-25

客戶承認

CUSTOMER CONFIRM AND SIGN

檢查 TESTED BY	審核 CHECKED BY	承認 APPROVED BY

東莞市贏海電子有限公司

DONGUAN INGHAI ELECTRONICS CO.,LTD

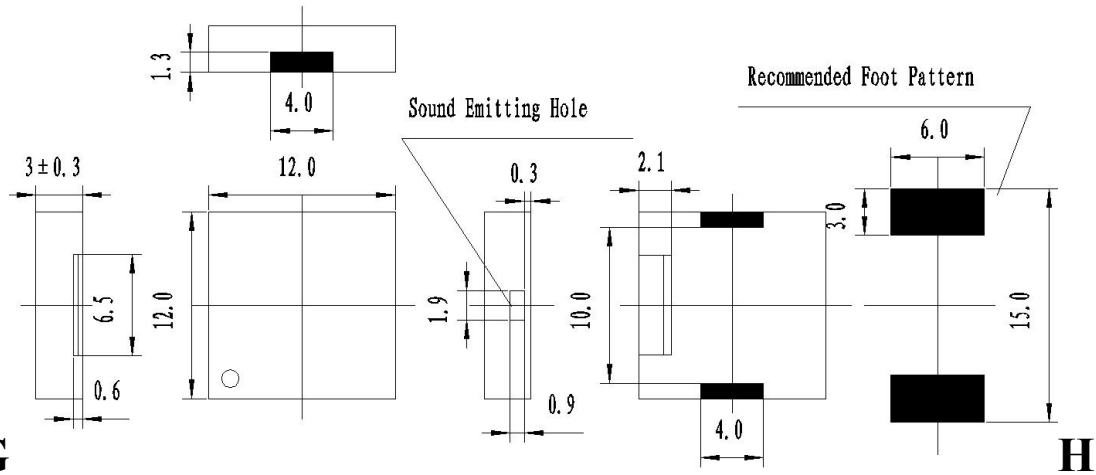
製作 ISSUED BY	審查 CHECKED BY	確認 APPROVED BY
周明	李林	

地址：廣東省東莞市長安鎮廈邊元灶頭工業區 16-6 號

電話 / TEL: 0769-83060958 傳真 / FAX: 0769-81608993

網址: [HTTP://WWW.INGHAI.COM](http://www.inghai.com)

DONGGUAN



ING
AI ELECTRONICS CO.,LTD

Model NO: GSC1230YB-3V4000

A: DIMENSIONS Unit:mm Tolerance:±0.5

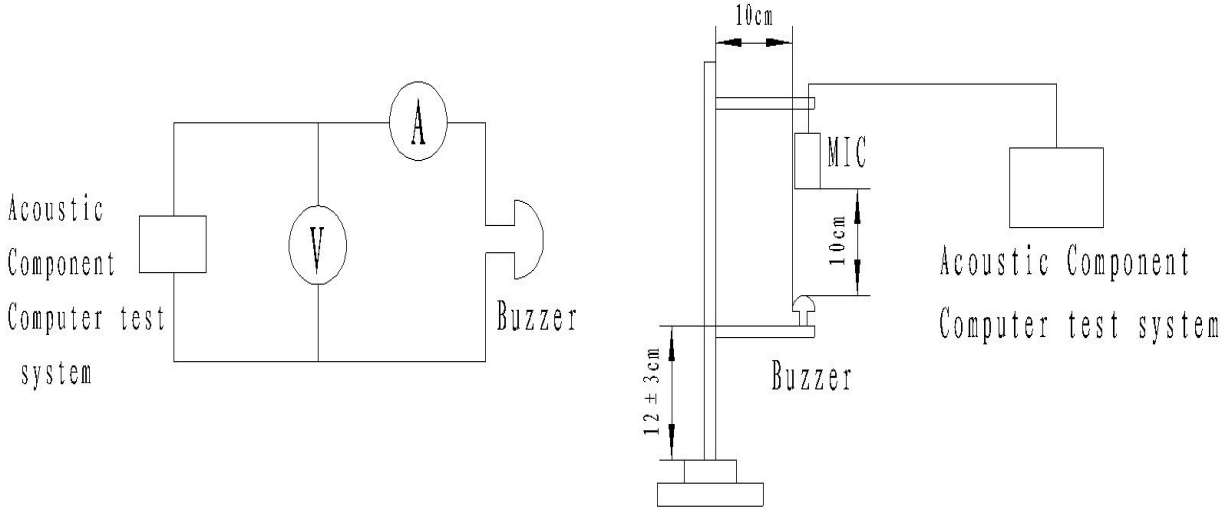
B: SPECIFICATIONS

Model NO	GSC1230RB
Rated Voltage	3Vp-p
Operating Voltage	1~25Vp-p
Max.Rated Current	Max.3mA
sound Pressure level(dB/min)at 10cm	Min. 75dB
Resonant Frequency	4000Hz
Capacitance	16000±30%
Operating Temperature	-20 °C~+60 °C
Storage Temperature	-30 °C~+70 °C
Case material and color	LCP / Black

Measuring condition

Part shall be measured under a condition (Temperature: 5 ~ 35°C, Humidity: 45% ~ 85%R.H., Atmospheric pressure: 860 ~ 1060hPa) unless the standard condition (Temperature: 25±3°C, Humidity: 60±10%R.H. Atmospheric pressure: 860 ~ 1060hPa) is regulated to measure.

C. Electrical And Acoustical Measuring Condition



D: FREQUENCY RESPONSE:



E: Reliability Test

After any following tests the part shall meet specifications without any degradation in appearance and performance except SPL. SPL shall not deviate more than -10 dB from the initial value

1. Ordinary Temperature Life Test

The part shall be subjected to 96 hours at $25 \pm 10^{\circ}\text{C}$. Input rated voltage Resonant frequency, 1/2 duty Square wave.

2. High Temperature Test

The part shall be capable of with standing a storage temperature of $+85^{\circ}\text{C}$ for 96 hours.

3. Low Temperature Test

The part shall be capable of with standing a storage temperature of -40°C for 96 hours.

4. Humidity Test

Temperature: $+40^{\circ}\text{C} \pm 3^{\circ}\text{C}$ Relative Humidity: 90%~95% Duration: 48 hours and expose to room temperature for 6 hours

5. Temperature Shock Test

Temperature: 85°C /1hour \rightarrow 25°C /3hours \rightarrow -30°C /1hour \rightarrow 25°C /3hours (1cycle)

Total cycle: 10 cycles

6. Drop Test

Standard Packaging From 120mm(Drop on hard wood or board of 5cm thick, three sides, six plain.)

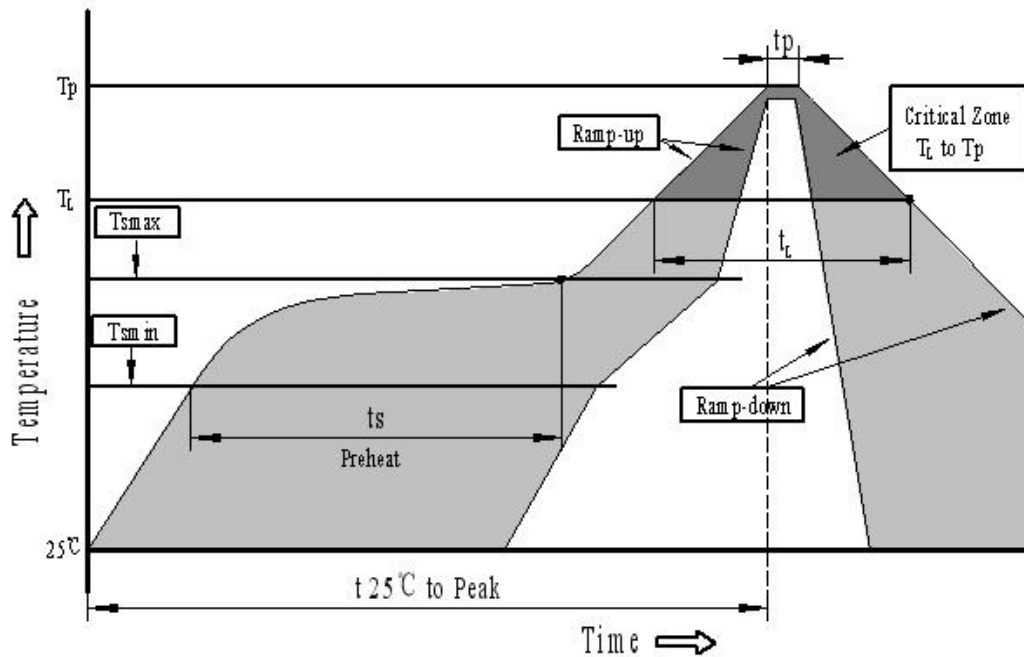
7. Vibration Test

Vibration: 1000cycles /min. Amplitude: 1.5mm, Duration: 1 hour in each 3 axes

Note:

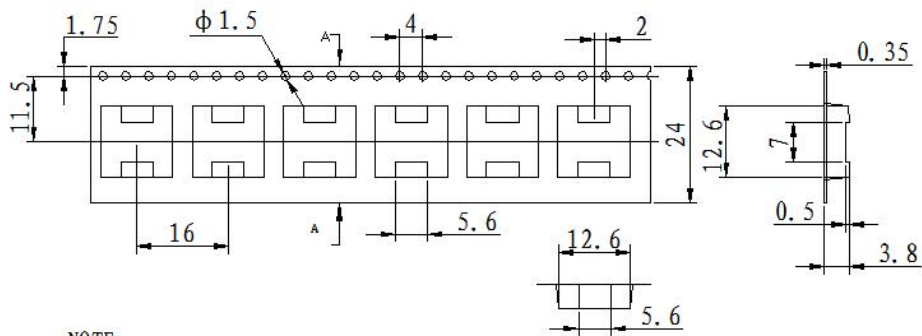
As this product is not protected from foreign material entering, please make sure that any foreign materials (e.g. magnetic powder, washing solvent, flux, corrosive gas) do not enter this product in your production processes. The functional degradation (e.g. SPL down) may occur if foreign material enter it.

F . Recommended Temp. Profile for Reflow Oven (Fig.1)



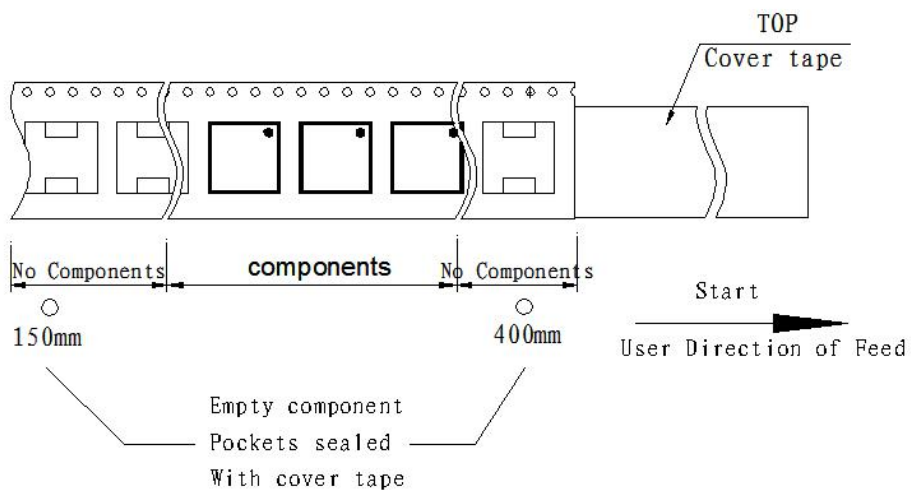
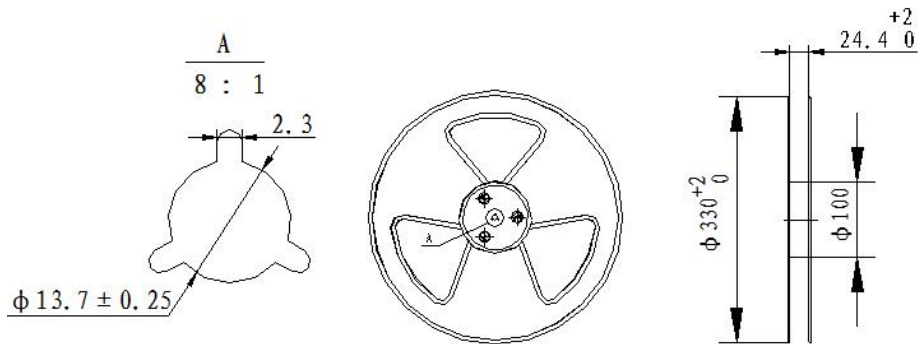
Profile Feature	Pb-Free Assembly
Average ramp-up rate(T_L to T_p)	3°C/second max.
Preheat	
-Temperature Min.(T_{Smin})	150°C
-Temperature Min.(T_{Smax})	200°C
-Temperature Min.(t_s)	60~180 seconds
T_{Smax} to T_L	
-Ramp-up Rate	3°C/second max.
Time maintained above:	
- Temperature(T_L)	217°C
-Time(T_L)	60~150 seconds
Peak temperature(T_p)	245°C+0/-5°C
Time within 5°C of actual Peak temperature (t_p)	6 seconds max.
Ramp-down Rate	6°C/second max.
Time 25°C to Peak Temperature	8 minutes max.

G. PACKING:

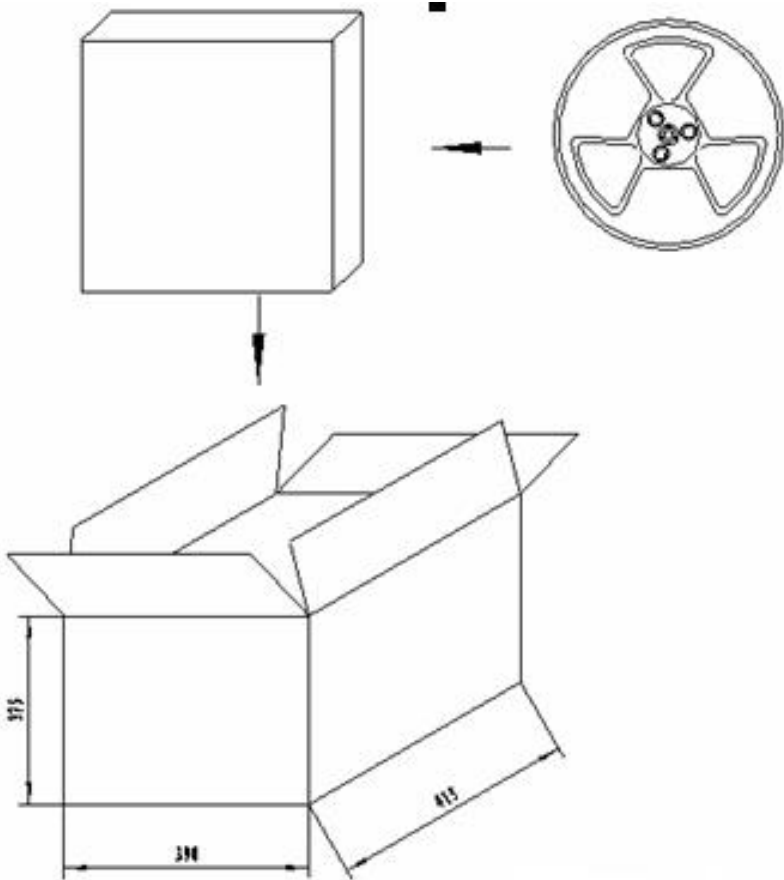


NOTE:

1. 10 sprocket hole pitch cumulative tolerance ± 0.2 mm.
2. All dimensions meet EIA-481-D requirements.
3. Thickness: 0.35 ± 0.05 mm.
4. Component loaded per 13" reel: 1000pcs.



H. PACKING:



- NOTES:**
- 1. 1000 PCS per tray
 - 2. Total 10 trays per carton
 - 3. Total 10000 PCS per carton
 - 4. Volume: $41.5 \times 39 \times 37.5$ cm