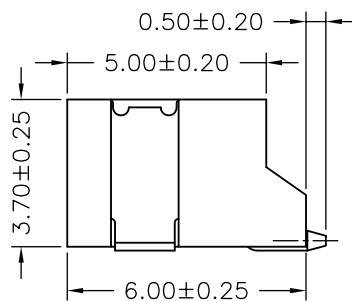
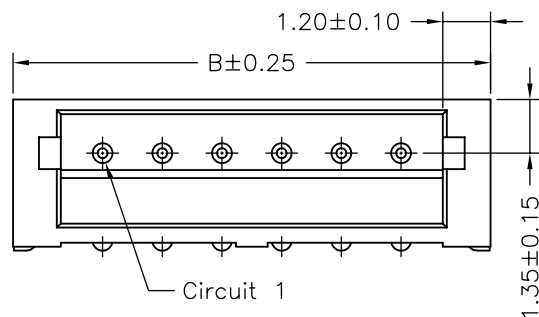
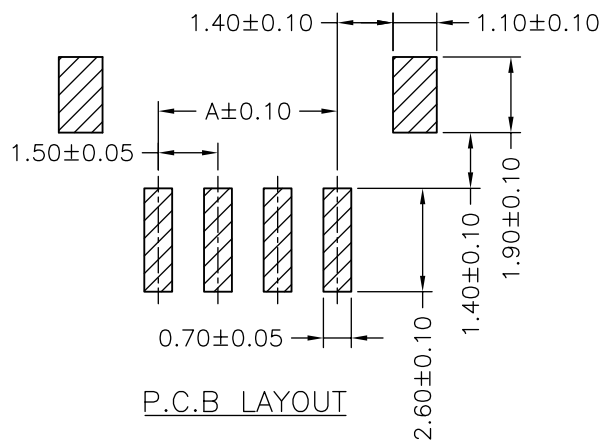
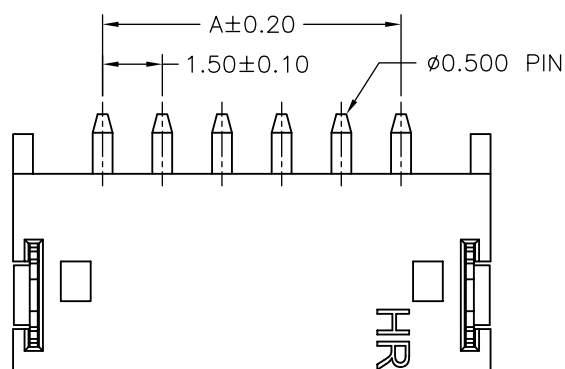


SPECIFICATIONS

Current Rating: 1A AC,DC
 Voltage Rating: 100V AC,DC
 Temperature Range: -25°C ~ +85°C
 Contact Resistance: 20mΩ Max.
 Insulation Resistance: 500MΩ Min.
 Withstanding Voltage: 500V AC/minute
 Pin Material: Brass/Gold-flash
 Solder Tabs: Brass/Gold-flash
 Material: Nylon 6T,UL94V-0
 Color: Natural(Beige)

Ordering Information & Dimensions



PART NO.	Dimensions	
	A	B
A1500WR-S-02PD01	1.50	6.00
A1500WR-S-03PD01	3.00	7.50
A1500WR-S-04PD01	4.50	9.00
A1500WR-S-05PD01	6.00	10.50
A1500WR-S-06PD01	7.50	12.00
A1500WR-S-07PD01	9.00	13.50
A1500WR-S-08PD01	10.50	15.00
A1500WR-S-09PD01	12.00	16.50
A1500WR-S-10PD01	13.50	18.00
A1500WR-S-11PD01	15.00	19.50
A1500WR-S-12PD01	16.50	21.00
A1500WR-S-13PD01	18.00	22.50

		UNIT	SCALE
		mm	1 of 2
		DRAWN BY	APPROVED BY
		李勤	董正一
		2006.07.07	2006.07.07
		GENERAL TOLERANCE	
A1	REVISE	2008.06.17	X. X±0.25
A0	NEW RELEASE	2006.07.07	X. XX±0.15
REV.	DESCRIPTION	DATE	X. XXX±0.05
		ANGLE±	
DRAW NO. :			REV.
A1500WR-S-XPD01			A1

TITLE:
 1.50mm PITCH
 90° WAFER-SMT TYPE