

A

B

C

D

E

F

技术要求 Requirements:

- 1 最大工作电压、电流 Rating Max.: 250V 15A.
- 2 插拔力 Insertion force & Pull out force: 0.2~3N.
- 3 接触电阻 Contact resistance $\leq 0.05 \Omega$.
- 4 适合保险丝管尺寸 Applicable fuse size: $\phi 5.2^{+0.1}_{-0.2} \times 20 \pm 0.5 \text{mm}$.
- 5 机械寿命 Mechanical life

用保险丝管连续插拔30次后, 插拔力和接触电阻仍符合以上2、3点要求。

It satisfied to item 2 and 3 when instert and pull out the fuse from fuse clips repeatedly 30 times.

6 可焊性 Solderability

将产品的引脚浸入 $255^{\circ}\text{C} \pm 5^{\circ}\text{C}$ 的Sn99.3Cu0.7锡炉中, 保持 3 ± 0.5 秒, 被浸表面75%以上能覆盖上锡。

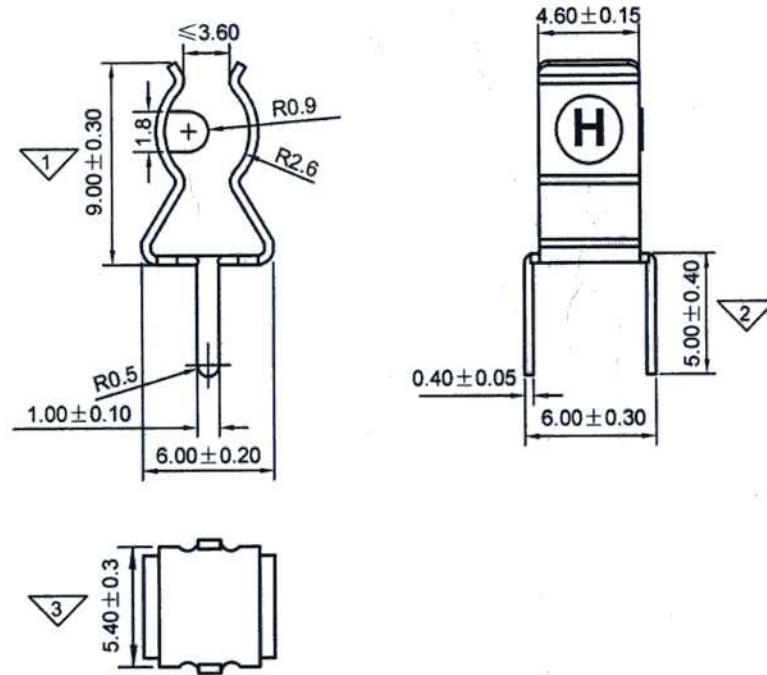
Dip the terminals of the clip into solder (Sn99.3Cu0.7) bath at $255^{\circ}\text{C} \pm 5^{\circ}\text{C}$ for 3 ± 0.5 seconds. The dipped surfaces shall be covered with solder more than 75%.

7 材料 Material

镀锡黄铜 Tin plated brass.

8 绝缘电阻 Insulation resistance $\geq 500 \text{M} \Omega$ (500V D.C.).

9 符合RoHS指令。RoHS compliant.



NO.	REVISED DATE	REVISED DETAILS
4		
3	2010.7.1	4.6 ± 0.15 改为 5.40 ± 0.30
2	2010.7.1	5.00 ± 0.20 改为 5.00 ± 0.40
1	2010.7.1	9.30 ± 0.20 改为 9.00 ± 0.30

		XIAMEN NINGLY ELECTRONICS CO., LTD.	
		TITLE 保险丝管夹 FUSE CLIP HF-004/J	
UNLESS OTHERWISE SPECIFIED DIMENSIONS ARE IN MM		DRAWN BY	陶家山 2010.7.1
DWG NO.	NLCP-H5-04A3	CHECKED BY	<i>[Signature]</i>
MATERIAL		APPROVED BY	
TREATMENT		SCALE	
QUANTITY			