



N 沟道增强型场效应晶体管

N-CHANNEL MOSFET

FHS110N8F5A

主要参数 MAIN CHARACTERISTICS

ID	120 A
VDSS	85 V
Rdson-typ (@Vgs=10V)	5mΩ
Qg-typ	59.4nC

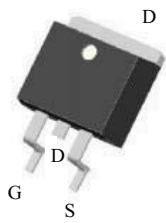
用途 APPLICATIONS

电池管理系统	BMS
--------	-----

产品特性 FEATURES

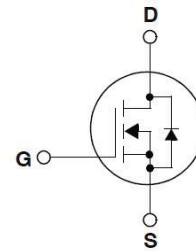
低栅极电荷	Low gate charge
低 Crss (典型值 32.4pF)	Low Crss (typical 32.4pF)
开关速度快	Fast switching
100%经过雪崩测试	100% avalanche tested
高抗 dv/dt 能力	Improved dv/dt capability
RoHS 产品	RoHS product

封装形式 Package



TO-263
FHS series

等效电路 Equivalent Circuit



绝对最大额定值 ABSOLUTE RATINGS (Tc=25°C)

项目 Parameter	符号 Symbol	数值 Value	单位 Unit
		FHS110N8F5A	
最高漏极-源极直流电压 Drain-Source Voltage	VDS	85	V
连续漏极电流* Drain Current -continuous *	ID (Tc=25°C)	120	A
	ID (Tc=100°C)	80	A
最大脉冲漏极电流 (注 1) Drain Current - pulse (note 1)	IDM	480	A
最高栅源电压 Gate-Source Voltage	VGS	±20	V
单脉冲雪崩能量 (注 2) Single Pulsed Avalanche Energy (note 2)	EAS	361	mJ
雪崩电流 (注 1) Avalanche Current (note 1)	IAR	17	A
重复雪崩能量 (注 1) Repetitive Avalanche Current (note 1)	EAR	20	mJ
二极管反向恢复最大电压变化速率 (注 3) Peak Diode Recovery dv/dt (note 3)	dv/dt	5.0	V/ns
耗散功率 Power Dissipation	Pd (TC=25°C)	157	W
	-Derate above 25°C	1.25	W/°C
最高结温及存储温度 Operating and Storage Temperature Range	TJ, TSTG	-55~+150	°C
引线最高焊接温度 Maximum Lead Temperature for Soldering Purposes	TL	300	°C

*漏极电流由最高结温限制

*Drain current limited by maximum junction temperature

电特性 ELECTRICAL CHARACTERISTICS

项目 Parameter	符号 Symbol	测试条件 Tests conditions	最小 Min	典型 Typ	最大 Max	单位 Units
关态特性 Off –Characteristics						
漏—源击穿电压 Drain-Source Voltage	BVDSS	$I_D=250\mu A, V_{GS}=0V$	85	90	-	V
击穿电压温度特性 Breakdown Voltage Temperature Coefficient	$\Delta BVDSS/\Delta T_J$	$I_D=250\mu A$, referenced to 25°C	-	0.08	-	V/°C
零栅压下漏极漏电流 Zero Gate Voltage Drain Current	IDSS	$V_{DS}=80V, V_{GS}=0V, T_C=25^\circ C$	-	-	1	μA
		$V_{DS}=64V, T_C=125^\circ C$	-	-	10	μA
栅极体漏电流 Gate-body leakage current	IGSS (F/R)	$V_{DS}=0V, V_{GS}=\pm 20V$	-	-	± 100	nA
通态特性 On-Characteristics						
阈值电压 Gate Threshold Voltage	$V_{GS(th)}$	$V_{DS} = V_{GS}, I_D=250\mu A$	2.0	-	4.0	V
静态导通电阻 Static Drain-Source On-Resistance	$R_{DS(ON)}$	$V_{GS} = 10V, I_D=50A$	-	5	7	m Ω
正向跨导 Forward Transconductance	gfs	$V_{DS} = 10V, I_D=50A$ (note 4)	-	47	-	S
动态特性 Dynamic Characteristics						
栅电阻 Gate Resistance	Rg	$f=1.0MHz,$ $V_{DS} OPEN$	-	2.5	-	Ω
输入电容 Input capacitance	Ciss	$V_{DS}=40V,$ $V_{GS}=0V,$ $f=1.0MHz$	-	3841	-	pF
输出电容 Output capacitance	Coss		-	651.7	-	
反向传输电容 Reverse transfer capacitance	Crss		-	34.2	-	
开关特性 Switching Characteristics						
延迟时间 Turn-On delay time	td(on)	$V_{DS}=40V,$ $I_D=50A,$ $R_G=3\Omega$ $V_{GS}=10V$ (note 4, 5)	-	15.6	-	ns
上升时间 Turn-On rise time	tr		-	32.7	-	ns
延迟时间 Turn-Off delay time	td(off)		-	24.2	-	ns
下降时间 Turn-Off Fall time	tf		-	15.1	-	ns
栅极电荷总量 Total Gate Charge	Qg	$V_{DS} = 40V,$ $I_D=50A,$ $V_{GS} = 10V$ (note 4, 5)	-	59.4	-	nC
栅—源电荷 Gate-Source charge	Qgs		-	16.5	-	nC
栅—漏电荷 Gate-Drain charge	Qgd		-	12.3	-	nC
漏—源二极管特性及最大额定值 Drain-Source Diode Characteristics and Maximum Ratings						
正向最大连续电流 Maximum Continuous Drain -Source Diode Forward Current		IS	-	-	120	A
正向最大脉冲电流 Maximum Pulsed Drain-Source Diode Forward Current		ISM	-	-	480	A
正向压降 Drain-Source Diode Forward Voltage	VSD	$V_{GS}=0V, I_S=50A$	-	0.9	1.2	V
反向恢复时间 Reverse recovery time	trr	$V_{GS}=0V, I_S=50A, dI_F/dt=100A/\mu s$ (note 4)	-	64.3	-	ns
反向恢复电荷 Reverse recovery charge	Qrr		-	152.7	-	nC

热特性 THERMAL CHARACTERISTIC

项目 Parameter	符号 Symbol	最大值 Max	单位 Unit
结到管壳的热阻 Thermal Resistance, Junction to Case	Rth(j-c)	0.8	°C/W
结到环境的热阻 Thermal Resistance, Junction to Ambient	Rth(j-A)	62.5	°C/W

注释:

- 1: 脉冲宽度由最高结温限制
- 2: L=1mH, I_{AS}=17A, V_{DD}=48V, R_G=25 Ω, 起始结温 T_J=25°C
- 3: I_{SD} ≤120A, di/dt ≤300A/μs, V_{DD} ≤BV_{DSS}, 起始结温 T_J=25°C
- 4: 脉冲测试: 脉冲宽度 ≤300μs, 占空比 ≤2%
- 5: 基本与工作温度无关

Notes:

- 1: Pulse width limited by maximum junction temperature
- 2: L=1mH, I_{AS}=17A, V_{DD}=48V, R_G=25 Ω, Starting T_J=25°C
- 3: I_{SD} ≤120A, di/dt ≤300A/μs, V_{DD} ≤BV_{DSS}, Starting T_J=25°C
- 4: Pulse Test: Pulse Width ≤300μs, Duty Cycle ≤2%
- 5: Essentially independent of operating temperature

Typical Characteristics

典型特性曲线

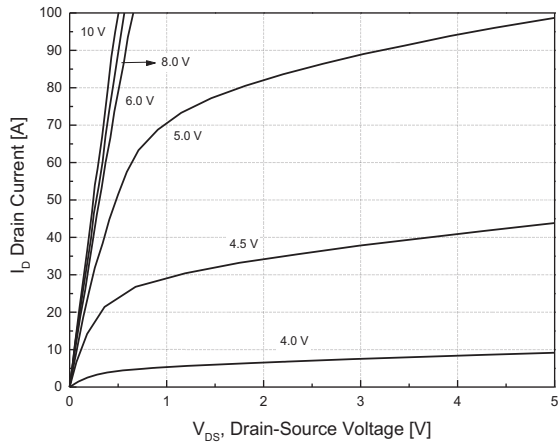


Fig.1 On-Region Characteristics

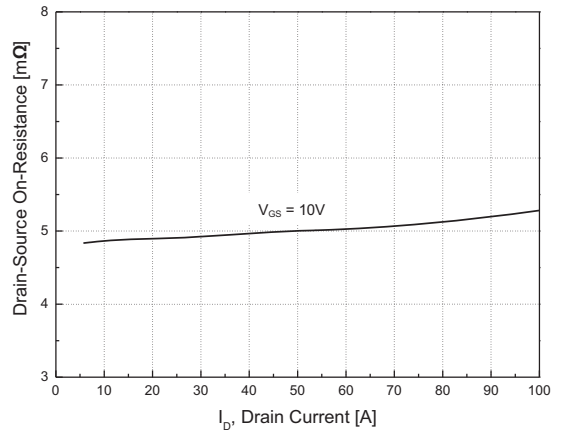


Fig.2 On-Resistance Variation with Drain Current and Gate Voltage

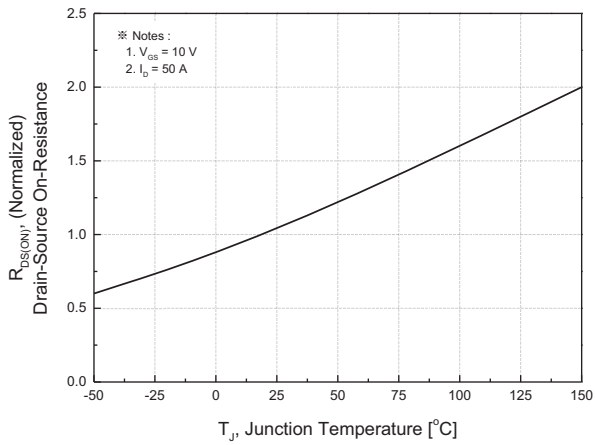


Fig.3 On-Resistance Variation with Temperature

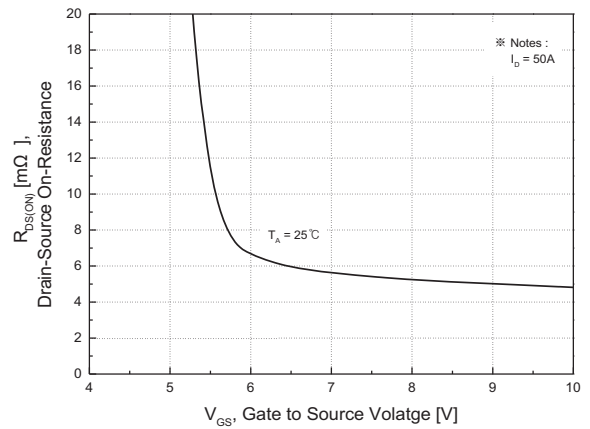


Fig.4 On-Resistance Variation with Gate to Source Voltage

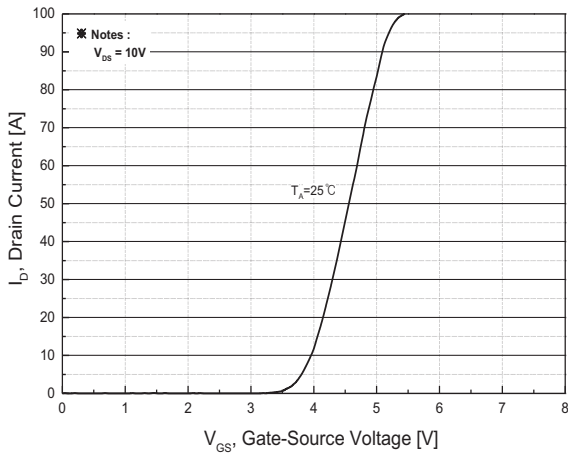


Fig.5 Transfer Characteristics

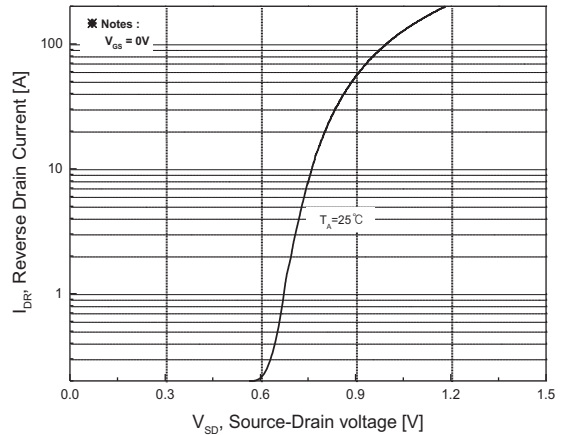


Fig.6 Body Diode Forward Voltage Variation with Source Current and Temperature

Typical Characteristics (continued)

典型特性曲线 (续)

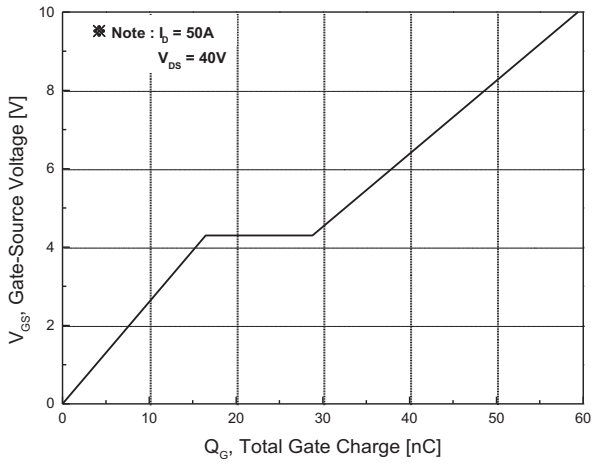


Fig.7 Gate Charge Characteristics

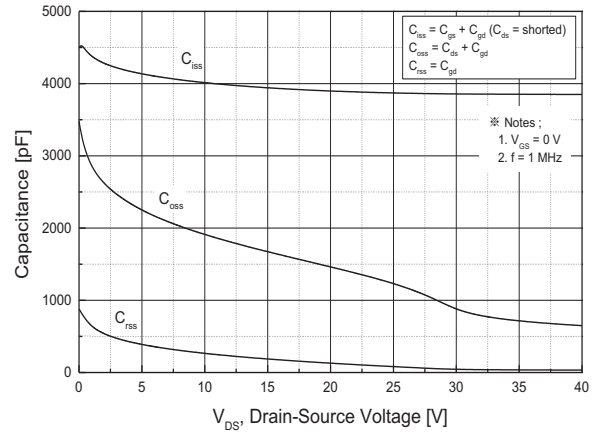


Fig.8 Capacitance Characteristics

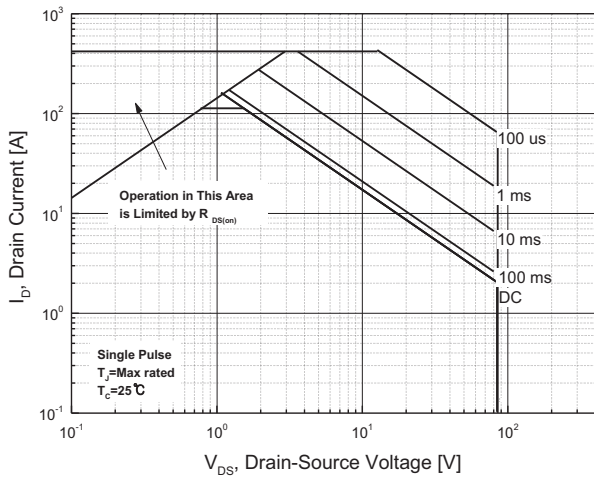


Fig.9 Maximum Safe Operating Area

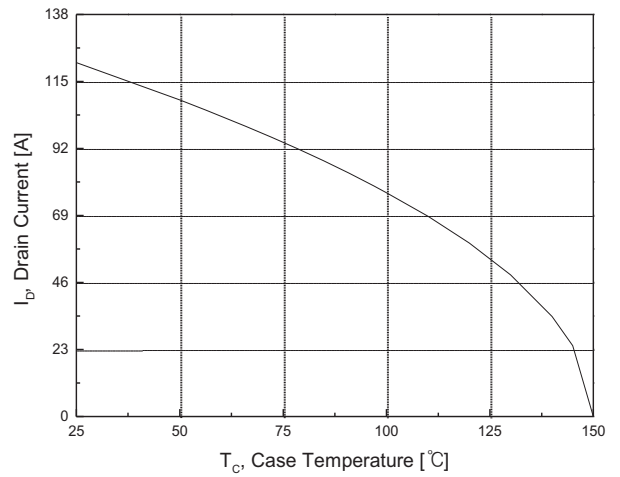


Fig.10 Maximum Drain Current vs. Case Temperature

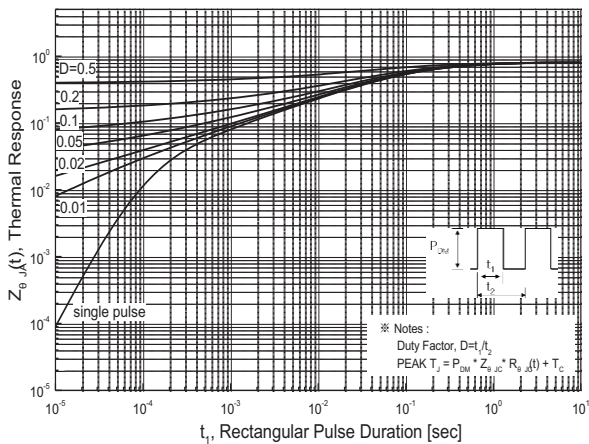


Fig.11 Transient Thermal Response Curve

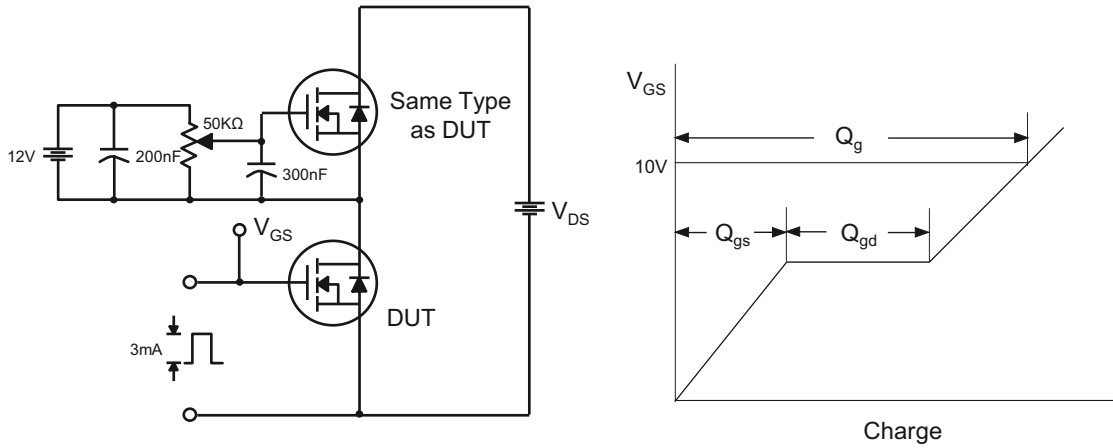


Fig 12. Gate Charge Test Circuit & Waveform

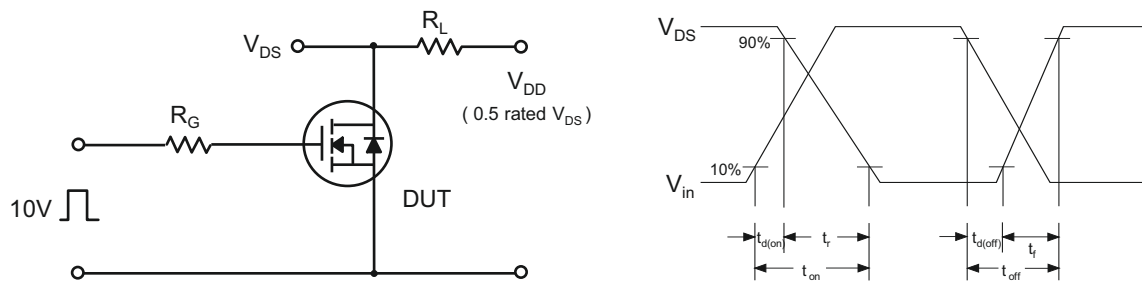


Fig 13. Resistive Switching Test Circuit & Waveforms

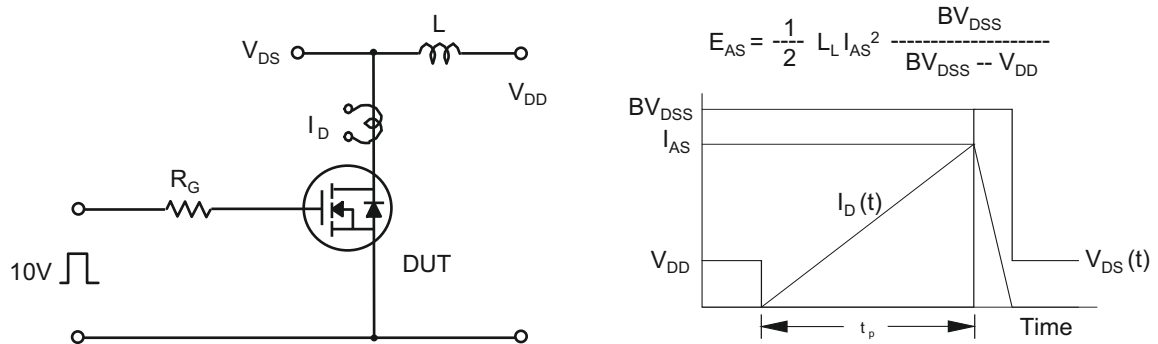


Fig 14. Unclamped Inductive Switching Test Circuit & Waveforms

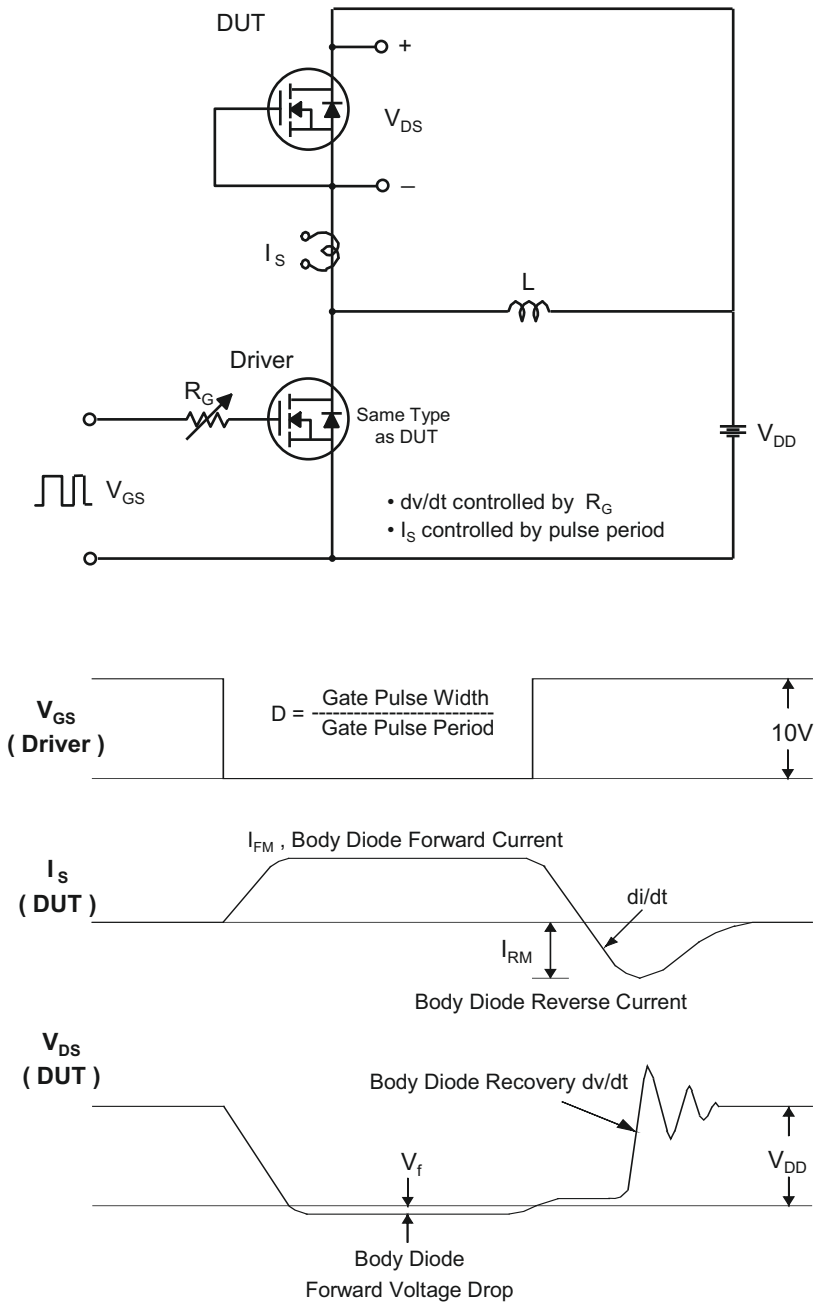
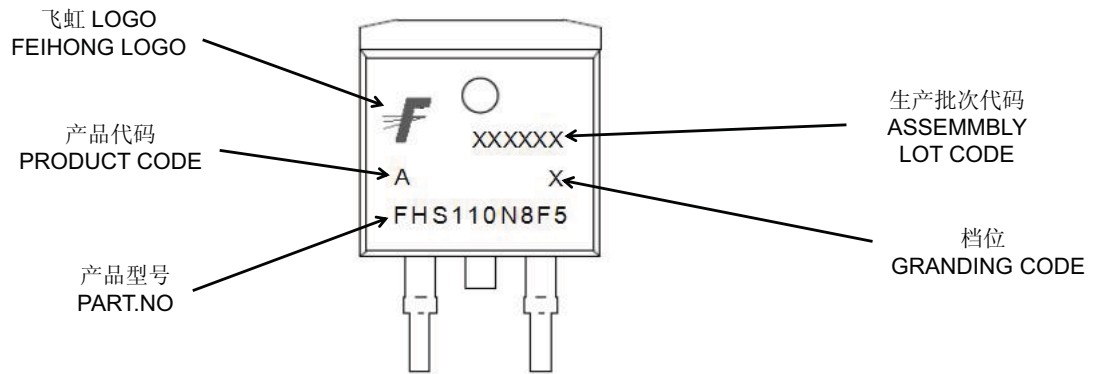


Fig 15. Peak Diode Recovery dv/dt Test Circuit & Waveforms

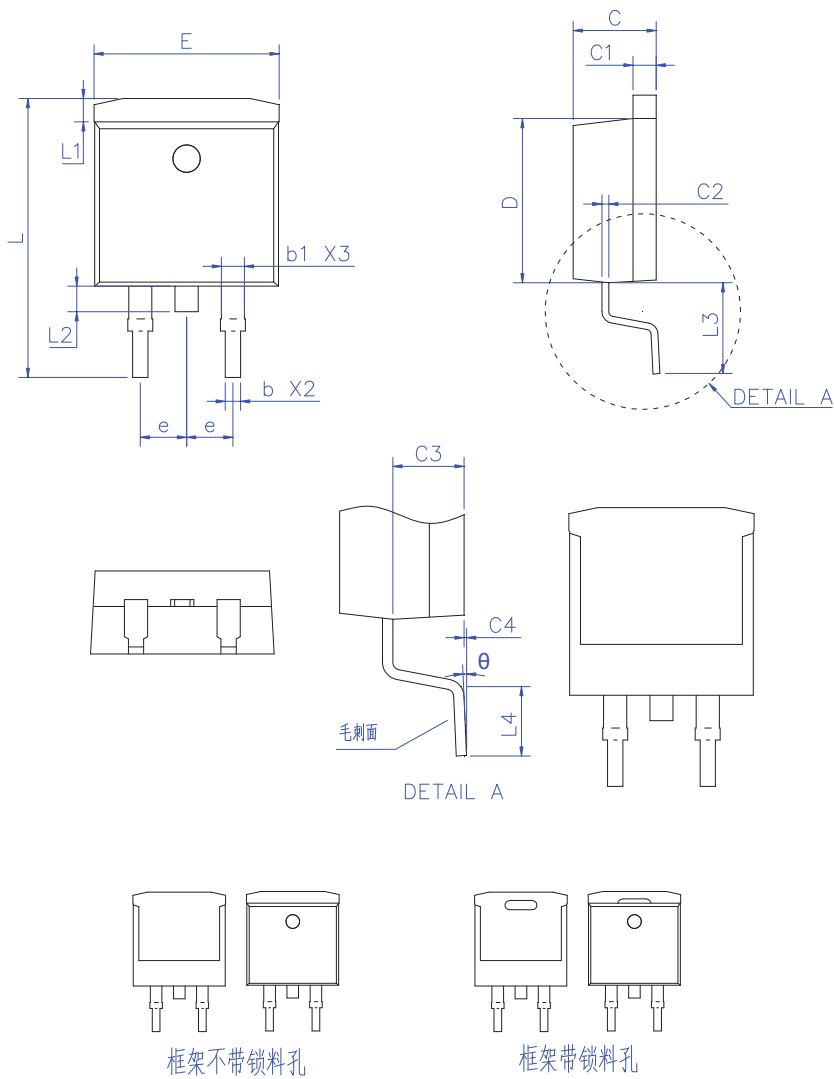
印记 Marking:



外形尺寸:

Package Dimension:

TO-263



DIM	MILLIMETERS	
	MIN	MAX
E	9.80	10.50
L	14.60	15.80
L1	1.00	1.55
L2	1.30	1.70
L3	4.50	5.50
L4	2.10	2.90
b	0.60	0.99
b1	1.00	1.50
C	4.30	4.80
C1	1.10	1.45
C2	0.25	0.52
C3	2.40	2.80
C4	0	0.25
D	8.50	9.50
θ	0°	8°
e	Typical	2.54

(Unit: mm)