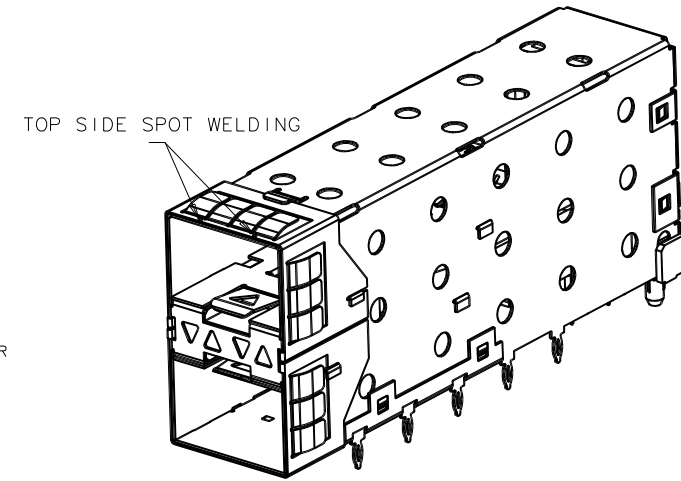
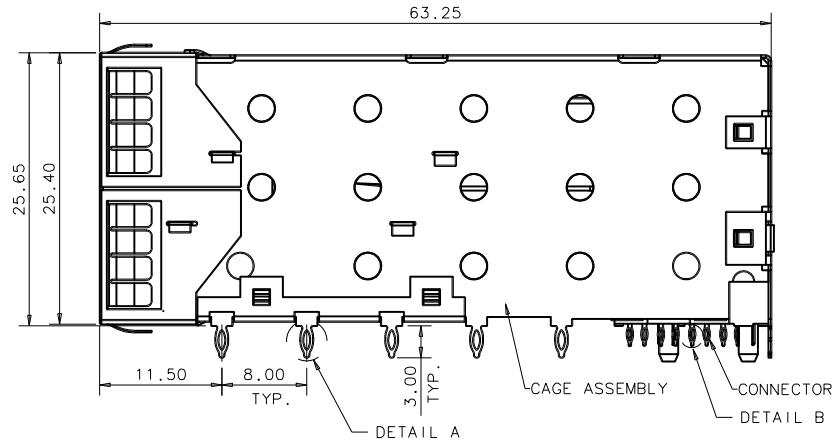
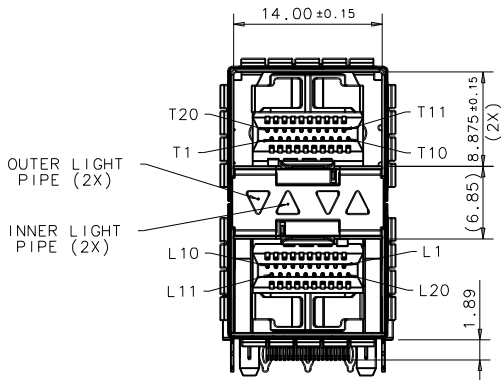
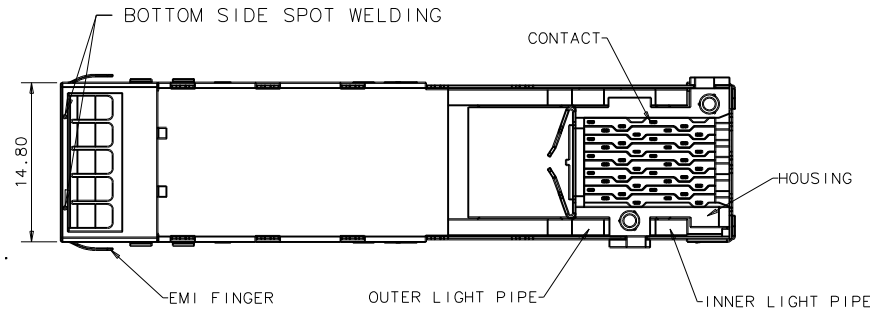


IDEAS GENERATED DRAWING, DON'T CHANGE BY HAND.

REV.	ECN. NO.	APPD.
A	BC-11-0059945	L.C.WU
B	BC-11-0123310	L.C.WU
C	BC-12-0050281	L.C.WU



SFP PLUS 2X1 CAGE&CONNECTOR WITH LIGHT PIPE
P/N: 3S1020F*-AJ4-4F



NOTES, UNLESS OTHERWISE SPECIFIED:

1. MATERIAL:

CONNECTOR HOUSING: THERMAL PLASTIC, UL94 V-0.

CONTACT: COPPER ALLOY.

CONNECTOR I/M: THERMAL PLASTIC, UL94 V-0

CAGE ASSEMBLY: COPPER ALLOY

LIGHT PIPE: POLYCARBONITE, UL94 V-0.

2. FINISH:

CONTACT:

1) 50u" MIN. NICKEL UNDER PLATING.

2) 30u" MIN. TIN/LEAD OR TIN PLATING AT PRESS FIT AREA.

3) 30u" NOMINAL GOLD PLATING AT CONTACT AREA.

CAGE: 50u" NICKEL PLATING OVER ALL.

3. PRESS FIT HOLES:

CONTACT:

1) HOLE DIAMETER AFTER PLATING: 0.41~0.51mm.

2) DRILLED HOLE: 0.535~0.585mm.

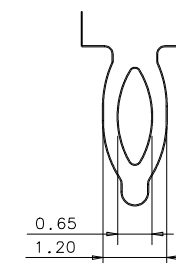
CAGE:

1) HOLE DIAMETER AFTER PLATING: 1.00~1.10mm.

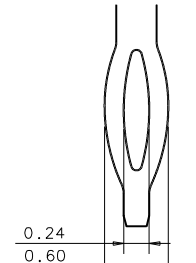
2) DRILLED HOLE: 1.125~1.175mm.

PART LIST

3S1020F* - AJ4 - 4 F		
F: 2X1, SFP PLUS		LEAD FREE CODE F: LEAD FREE
3: 30u" GOLD PLATING		PACKAGE TYPE
7: 15u" GOLD PLATING		4: TRAY
A: CAGE/CONNECTOR INTEGRAL		
J: EMI FINGER TYPE WITH LIGHT PIPE		



DETAIL A
SCALE 10:1

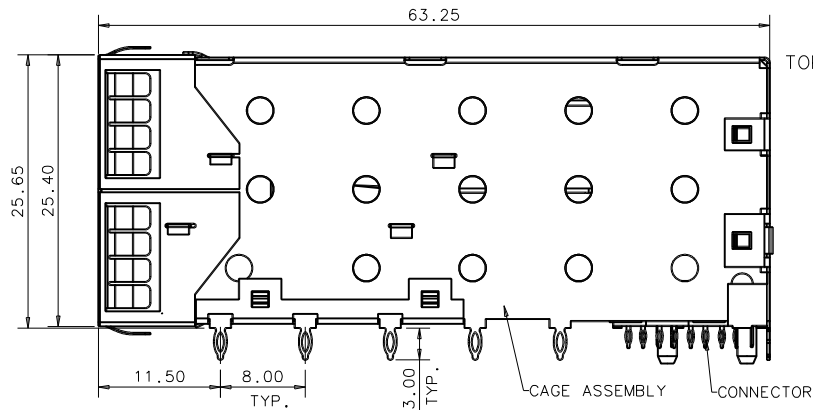
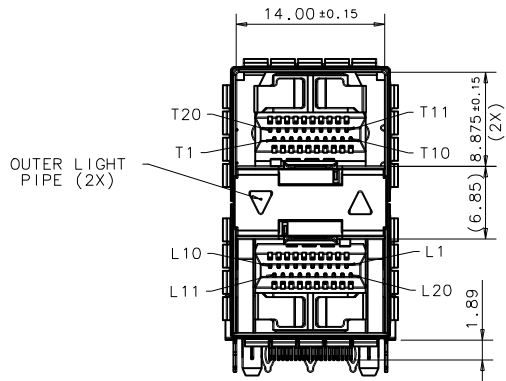


DETAIL B
SCALE 20:1

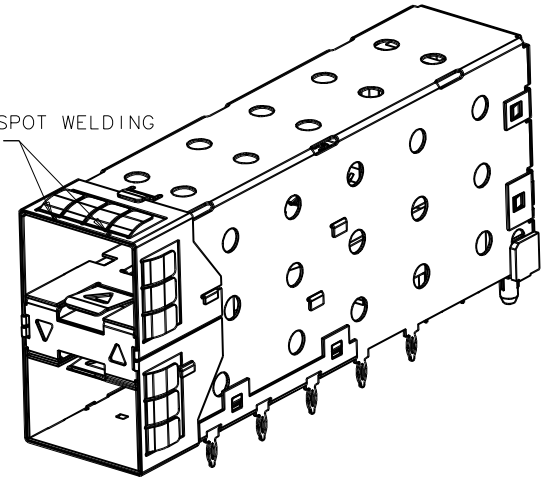
X. ±	X.° ± 5°	UNITS	mm	NAME (INTENDED USE)	FOXCONN	
.X ± 0.20	.X° ± 3°	MAT'L		SFP PLUS 2X1 CONN & CAGE	HON HAI PRECISION IND. CO., LTD. TAIPEI, TAIWAN, R.O.C.	
.XX ± 0.15	.XX° ±			PART NO. (INTENDED USE)	TITLE:	
.XXX ±	.XXX° ±	FINISH		3S1020F* - **4-4F	CUSTOMER DRAWING	
THESE DRAWINGS AND SPECIFICATIONS ARE THE PROPERTY OF HON HAI PRECISION IND. CO., LTD. AND SHALL NOT BE REPRODUCED, COPIED OR USED IN ANY MANNER WITHOUT THE PRIOR WRITTEN CONSENT OF HON HAI PRECISION IND. CO., LTD.				APPD: L.C.WU 07/23'12	DWG NO.:	
				CHKD: PIER HSU 07/23'12	323-0000-1726	
				DR: CALVIN 07/23'12		
				SCALE	SHEET	REV.
				N/A	1/6	C

IDEAS GENERATED DRAWING, DON'T CHANGE BY HAND.

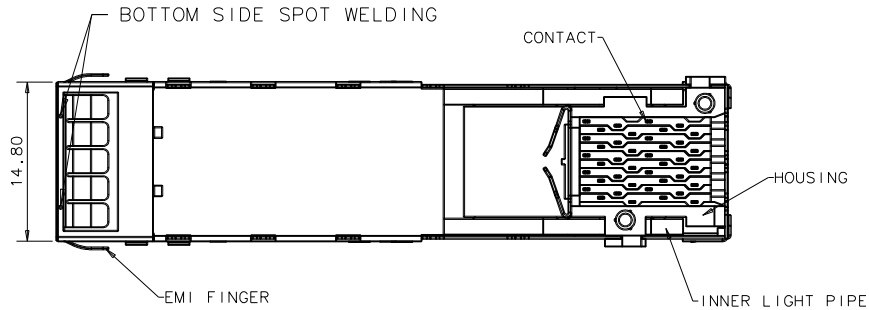
REV.	ECN. NO.	APPD.



TOP SIDE SPOT WELDING



SFP PLUS 2X1 CAGE&CONNECTOR WITH LIGHT PIPE
P/N: 3S1020F*-HJ4-4F



BOTTOM SIDE SPOT WELDING

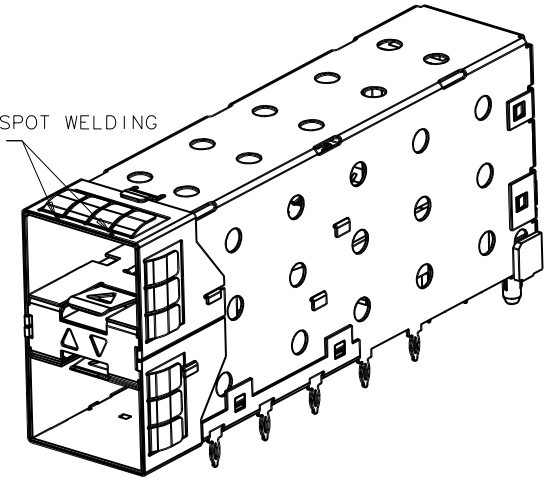
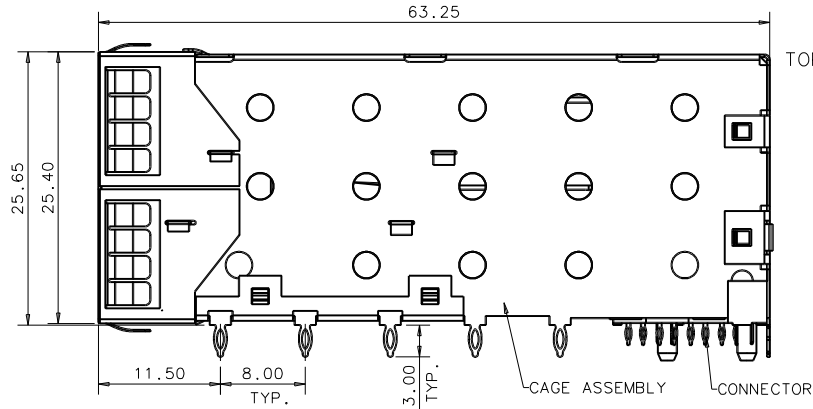
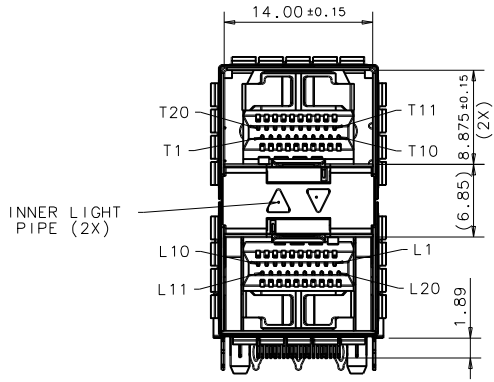
PART LIST

- 3S1020F* - CJ4 - 4 F
- F: 2X1, SFP PLUS
 - 3: 30u" GOLD PLATING
 - 7: 15u" GOLD PLATING
 - C: WITH OUTER LIGHT PIPE
 - J: EMI FINGER TYPE WITH LIGHT PIPE
 - LEAD FREE CODE F: LEAD FREE
 - PACKAGE TYPE 4: TRAY

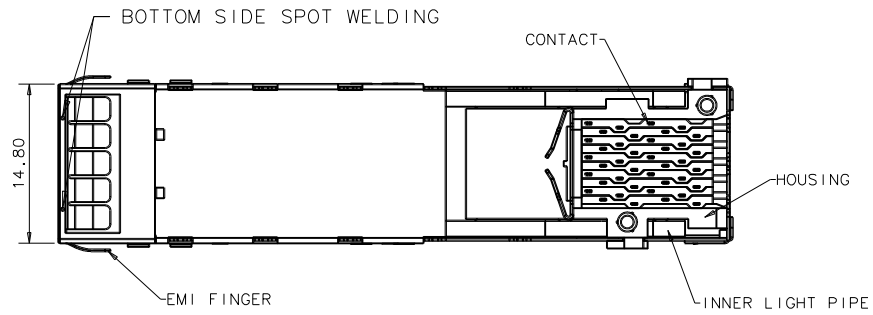
X. ±	X.° ± 5°	UNITS mm	NAME (INTENDED USE)	FOXCONN HON HAI PRECISION IND. CO., LTD. TAIPEI, TAIWAN, R.O.C.
.X ± 0.20	.X° ± 3°	MAT'L	SFP PLUS 2X1 CONN & CAGE	
.XX ± 0.15	.XX° ±	FINISH 	PART NO. (INTENDED USE)	TITLE:
.XXX ±	.XXX° ±		3S1020F*-**4-4F	CUSTOMER DRAWING
THESE DRAWINGS AND SPECIFICATIONS ARE THE PROPERTY OF HON HAI PRECISION IND. CO., LTD. AND SHALL NOT BE REPRODUCED, COPIED OR USED IN ANY MANNER WITHOUT THE PRIOR WRITTEN CONSENT OF HON HAI PRECISION IND. CO., LTD.			APPD: L.C.WU 07/23'12	DWG NO.:
			CHKD: PIER HSU 07/23'12	323-0000-1726
			DR: CALVIN 07/23'12	
				SCALE
				SHEET
				REV.
				N/A
				2/6
				C

IDEAS GENERATED DRAWING, DON'T CHANGE BY HAND.

REV.	ECN. NO.	APPD.



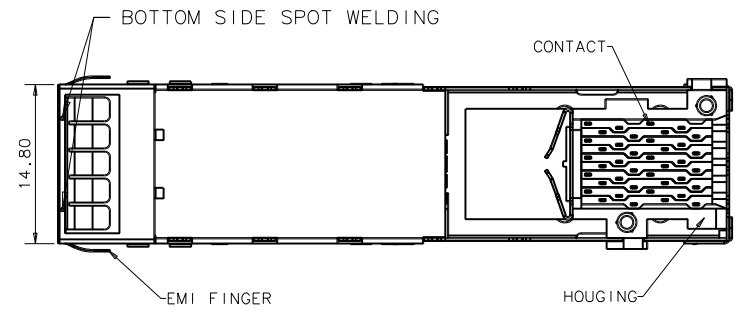
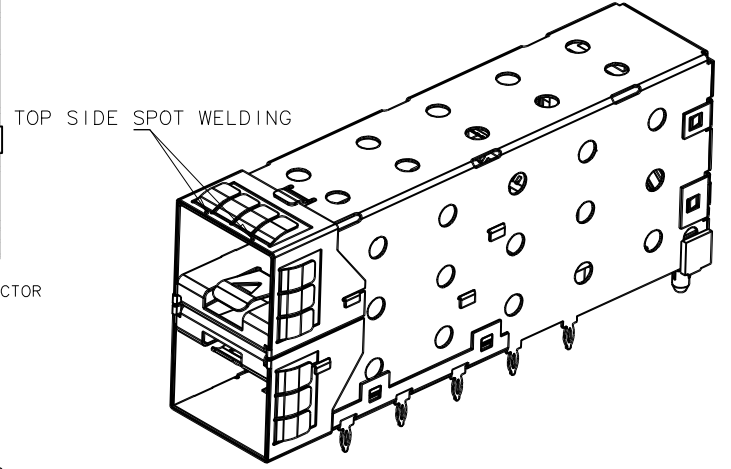
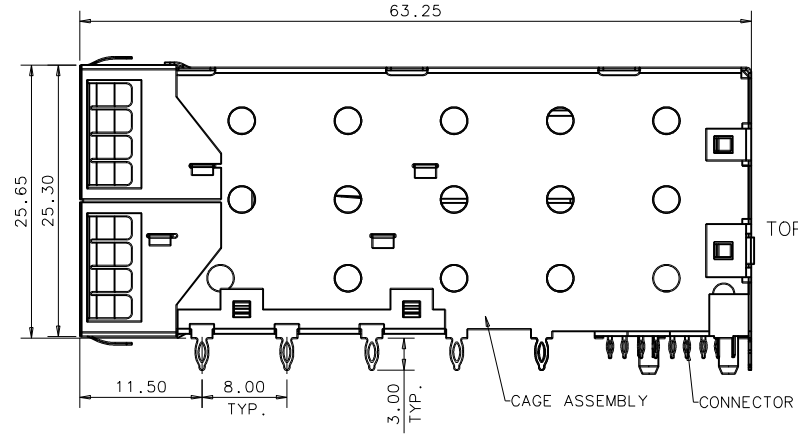
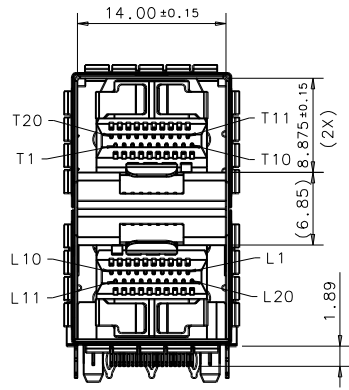
SFP PLUS 2X1 CAGE&CONNECTOR WITH LIGHT PIPE
P/N: 3S1020F*-BJ4-4F



PART LIST

3S1020F* - BJ4 - 4 F
 F: 2X1, SFP PLUS
 3: 30u" GOLD PLATING
 7: 15u" GOLD PLATING
 B: WITH INNER LIGHT PIPE
 J: EMI FINGER TYPE WITH LIGHT PIPE
 LEAD FREE CODE F: LEAD FREE
 PACKAGE TYPE 4: TRAY

X. ±	X.° ± 5°	UNITS mm	NAME (INTENDED USE)	FOXCONN HON HAI PRECISION IND. CO., LTD. TAIPEI, TAIWAN, R.O.C.	
.X ± 0.20	.X° ± 3°	MAT'L	SFP PLUS 2X1 CONN & CAGE		
.XX ± 0.15	.XX° ±	FINISH △	PART NO. (INTENDED USE)	TITLE:	
.XXX ±	.XXX° ±		3S1020F* - **4 - 4F	CUSTOMER DRAWING	
THESE DRAWINGS AND SPECIFICATIONS ARE THE PROPERTY OF HON HAI PRECISION IND. CO., LTD. AND SHALL NOT BE REPRODUCED, COPIED OR USED IN ANY MANNER WITHOUT THE PRIOR WRITTEN CONSENT OF HON HAI PRECISION IND. CO., LTD.			APPD: L.C.WU 07/23'12	DWG NO.:	
			CHKD: PIER HSU 07/23'12	323-0000-1726	
			DR: CALVIN 07/23'12		
			SCALE	SHEET	REV.
			N/A	3/6	C



SFP PLUS 2X1 CAGE&CONNECTOR
WITHOUT LIGHT PIPE
P/N: 3S1020F*-AE4-4F

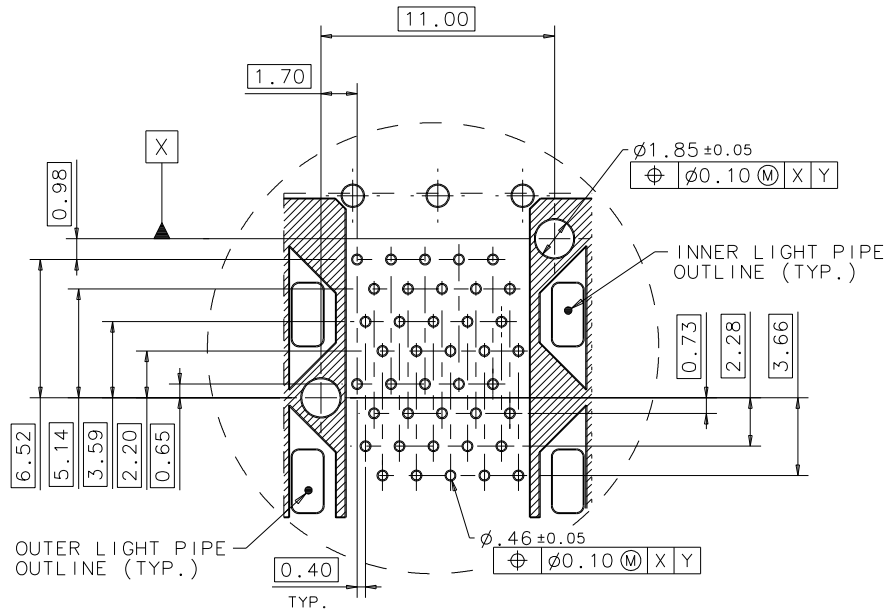
PART LIST

- 3S1020F* - AE4 - 4 F
- F: 2X1, SFP PLUS
 - 3: 30u" GOLD PLATING
 - 7: 15u" GOLD PLATING
 - A: CAGE/CONNECTOR INTEGRAL
 - E: EMI FINGER TYPE WITHOUT LIGHT PIPE
 - LEAD FREE CODE
 - F: LEAD FREE
 - PACKAGE TYPE
 - 4: TRAY

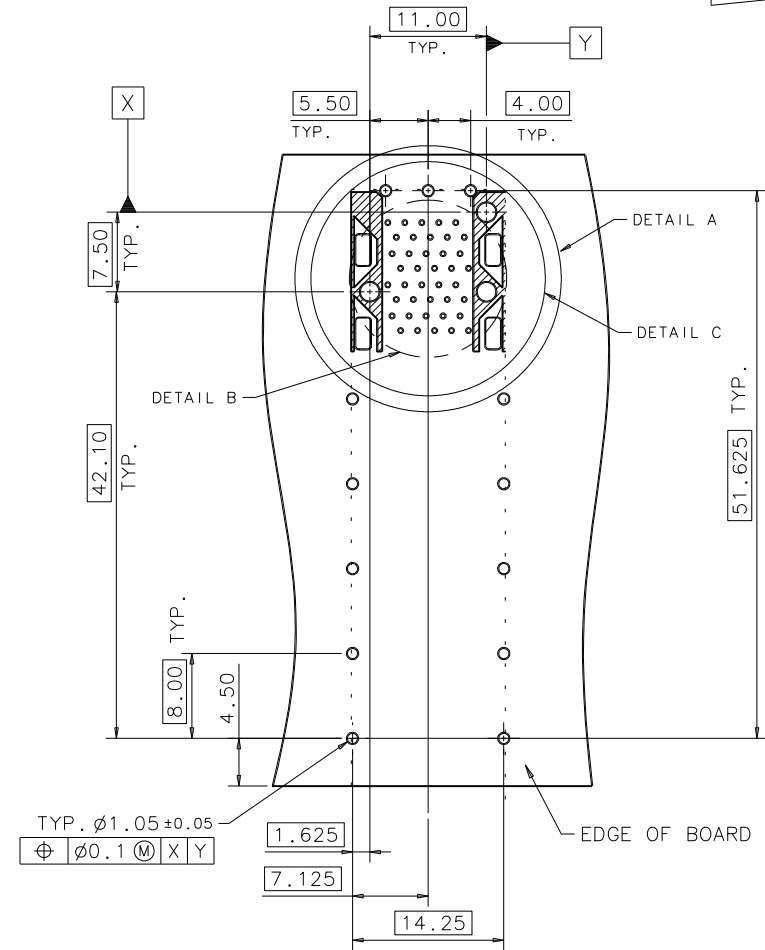
X. ±	X.° ± 5°	UNITS mm	NAME (INTENDED USE) SFP PLUS 2X1 CONN & CAGE	FOXCONN HON HAI PRECISION IND. CO., LTD. TAIPEI, TAIWAN, R.O.C.
.X ± 0.20	.X° ± 3°	MAT'L	PART NO. (INTENDED USE) 3S1020F* - **4-4F	
.XX ± 0.15	.XX° ±	FINISH 	APPD: L.C.WU 07/23'12	TITLE: CUSTOMER DRAWING
.XXX ±	.XXX° ±		Q'TY	CHKD: PIER HSU 07/23'12
THESE DRAWINGS AND SPECIFICATIONS ARE THE PROPERTY OF HON HAI PRECISION IND. CO., LTD. AND SHALL NOT BE REPRODUCED, COPIED OR USED IN ANY MANNER WITHOUT THE PRIOR WRITTEN CONSENT OF HON HAI PRECISION IND. CO., LTD.			DR: CALVIN 07/23'12	SCALE: N/A SHEET: 4/6 REV.: C

IDEAS GENERATED DRAWING, DON'T CHANGE BY HAND.

REV.	ECN. NO.	APPD.
------	----------	-------



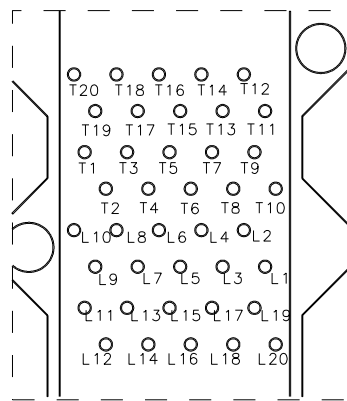
DETAIL A



RECOMMENDED HOST BOARD LAYOUT

NOTES:

- PCB THICKNESS TO BE 1.57MM MINIMUM.
- THE AREA, INDICATED BY THE DASHED LINE, TO BE CONNECTOR OR CAGE ASSEMBLY FOOTPRINT, SHALL BE CONSIDERED KEEPOUT AREA FOR COMPONENTS AND SINGLE TRACES.



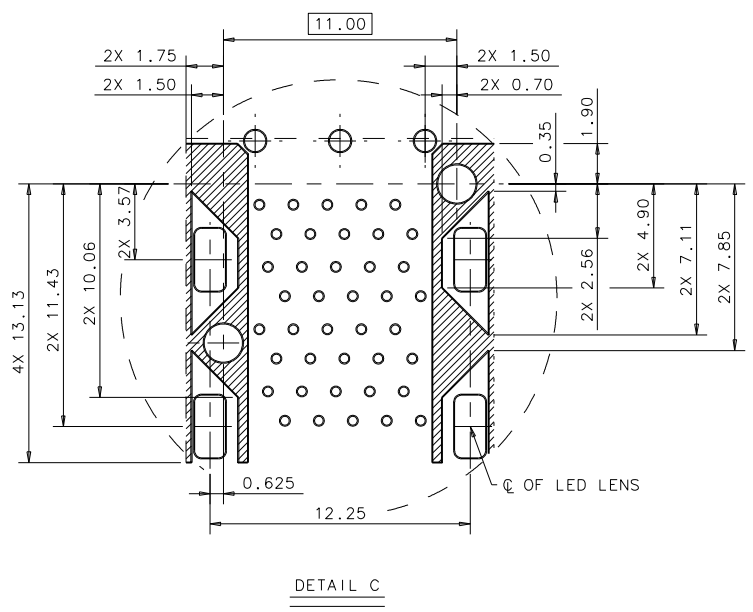
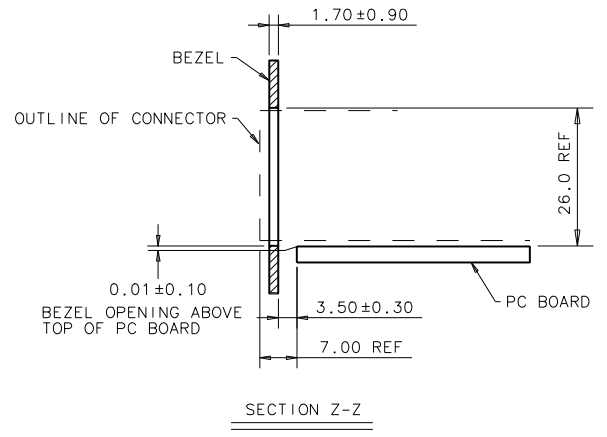
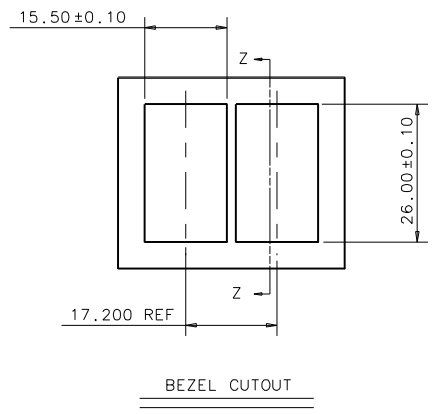
DETAIL B

CONNECTOR PIN-OUT
COMPONENT SIDE OF BOARD

X. ±	X.° ± 5°	UNITS mm	NAME (INTENDED USE)	FOXCONN HON HAI PRECISION IND. CO., LTD. TAIPEI, TAIWAN, R.O.C.
.X ± 0.20	.X° ± 3°	MAT'L	SFP PLUS 2X1 CONN & CAGE	
.XX ± 0.15	.XX° ±	FINISH	PART NO. (INTENDED USE)	TITLE:
.XXX ±	.XXX° ±		3S1020F***4-4F	CUSTOMER DRAWING
THESE DRAWINGS AND SPECIFICATIONS ARE THE PROPERTY OF HON HAI PRECISION IND. CO., LTD. AND SHALL NOT BE REPRODUCED, COPIED OR USED IN ANY MANNER WITHOUT THE PRIOR WRITTEN CONSENT OF HON HAI PRECISION IND. CO., LTD.			APPD: L.C.WU 07/23'12	DWG NO.:
			CHKD: PIER HSU 07/23'12	323-0000-1726
Q'TY			DR: CALVIN 07/23'12	SCALE SHEET REV.
				N/A 5/6 C

IDEAS GENERATED DRAWING, DON'T CHANGE BY HAND.

REV.	ECN. NO.	APPD.



X. ±	X. ° ± 5°	UNITS mm	NAME (INTENDED USE)	FOXCONN HON HAI PRECISION IND. CO., LTD. TAIPEI, TAIWAN, R.O.C.
.X ± 0.20	.X ° ± 3°	MAT'L	SFP PLUS 2X1 CAGE & CONN.	
.XX ± 0.15	.XX ° ±	FINISH	PART NO. (INTENDED USE)	TITLE:
.XXX ±	.XXX ° ±		APPD: L.C.WU 07/23'12	3S1020F*-**4-4F
THESE DRAWINGS AND SPECIFICATIONS ARE THE PROPERTY OF HON HAI PRECISION IND. CO., LTD. AND SHALL NOT BE REPRODUCED, COPIED OR USED IN ANY MANNER WITHOUT THE PRIOR WRITTEN CONSENT OF HON HAI PRECISION IND. CO., LTD.			Q'TY	DWG NO.:
			CHKD: PIER HSU 07/23'12	323-0000-1726
			DR: CALVIN 07/23'12	SCALE SHEET REV.
				N/A 6/6 C