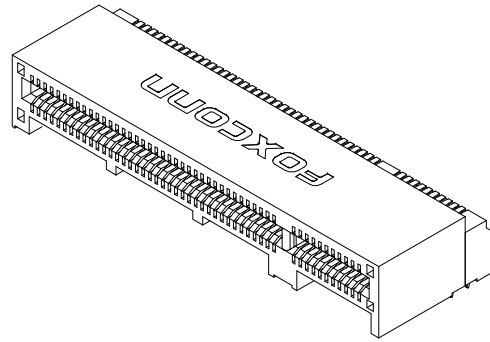
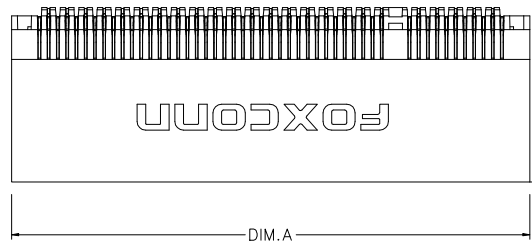
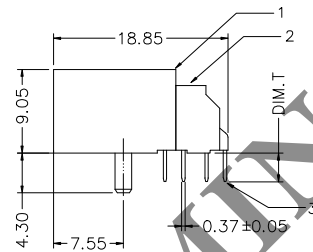
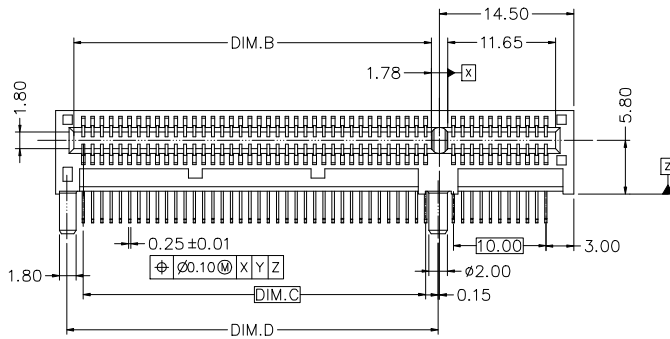


REV.	ECN. NO.	APPD.
X4	10/17'16	Davy Bu
X5	10/17'16	Davy Bu
X6	01/06'17	Davy Bu
X7	02/07'17	Davy Bu



NOTES:

- ELECTRICAL CHARACTERISTICS:
  - 1-1 CURRENT RATING: 1.1 AMP., 30°C RISE ABOVE AMBIENT.
  - 1-2 CONTACT RESISTANCE : 30 MILLIOHMS MAX. INITIAL, 50 MILLIOHMS MAX. AFTER TEST.
  - 1-3 INSULATION RESISTANCE: 1000 MEGOHMS MIN..
  - 1-4 DIELECTRICAL WITHSTAND VOLTAGE: 500 V AC MIN. AT SEA LEVEL.
- MECHANICAL CHARACTERISTICS:
  - 2-1 CONTACT INSERTION FORCE: 1.15 N MAX. PER CONTACT PAIR.
  - 2-2 CONTACT REMOVAL FORCE: 0.15 N MIN. PER CONTACT PAIR.
  - 2-3 DURABILITY: 50 MATING AND UNMATING CYCLES.
  - 2-4 CONTACT RETENTION FORCE: 4.9 N MIN.
- ENVIRONMENTAL CHARACTERISTICS:
  - 3-1 OPERATING TEMPERATURE RANGE: -40°C TO +105°C .
- RECOMMENDED PROCESS CONDITION: WAVE SOLDER , 260°C , 3~5 S
- PLEASE CONTACT FOXCONN SALES REPRESENTATIVE TO VERIFY PRODUCTION DETAILS & AVAILABILITY



PROD. NO.: 2EG 1 \*\* \* \* - D2D8 - \*\*

FIELD PRODUCT SERIES: 2EG = PCI EXPRESS

TERMINAL TYPE:  
1 = R/A TYPE

NO. OF POS. \_\_\_\_\_  
49 = 98 POSITIONS

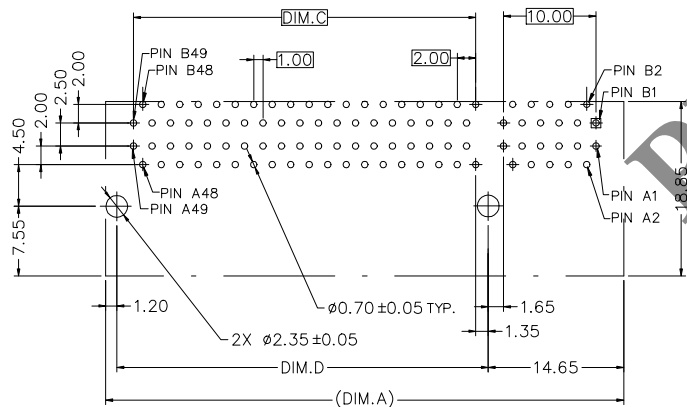
TAIL LENGTH:  
1 = 2.30mm  
2 = 3.10mm

GREEN CODE  
F: LEAD FREE  
RoHS 2.0 COMPLIANT

PACKAGE TYPE  
4: SOFT TRAY

EXTENSION CODE \_\_\_\_\_

CONTACT AREA GOLD PLATING:  
1 = GOLD FLASH  
7 = 15u" GOLD  
3 = 30u" GOLD



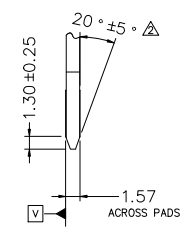
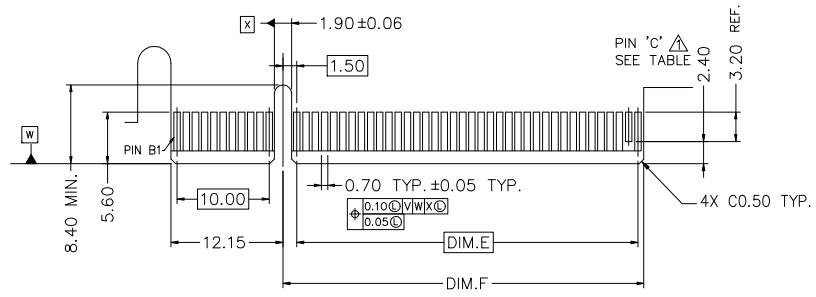
ITEM	DESCRIPTION	Q'TY	MATERIAL	TREATMENT
3	CONTACT	SEE P/N	COPPER ALLOY	50u' MIN NICKEL PLATING OVERALL UNDERPLATED. 100u' MIN TIN PLATING OVER NICKEL AT TAIL. GOLD PLATING ON CONTACT AREA.
2	ORGANIZER	1	THERMOPLASTIC UL 94V-0	MOLDED BLACK
1	HOUSING	1	THERMOPLASTIC UL 94V-0	MOLDED BLACK

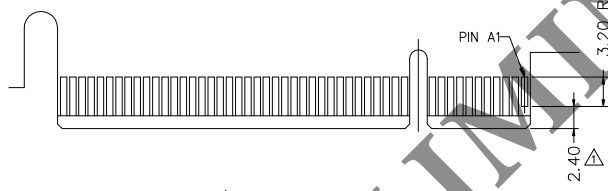
X.±	X.±	UNITS	NAME (INTENDED USE)	<b>FOXCONN®</b> FOXCONN INTERCONNECT TECHNOLOGY LIMITED CLASS: <input type="checkbox"/> CONFIDENTIAL <input type="checkbox"/> SECRET <input checked="" type="checkbox"/> GENERAL TITLE: CUSTOMER DRAWING DWG. NO.: 303-0000-3318
.X± 0.38	.X±	MM	R/A PCI EXPRESS 1.00mm PITCH, T/H	
.XX± 0.25	.XX±	N/A	PART NO. (INTENDED USE) 2EG1***-D2D8-**	
.XXX±	.XXX±	FINISH	APPD: Davy Bu 02/07'17	
Q'TY			CHKD: Johnny Tang 02/07'17	DR: Qin Teng 02/07'17 SCALE SHEET REV. N/A 1/2 X7

2EG149**-----**	56.00	38.65	37.00	40.15	2EG1**2*-----**	3.10	2.36±0.18
					2EG1**1*-----**	2.30	1.57±0.13
PART NUMBER	DIM. A	DIM. B	DIM. C	DIM. D	PART NUMBER	DIM. T	RECOMMENDED PCB THICKNESS

THESE DRAWINGS AND SPECIFICATIONS ARE THE PROPERTY OF FOXCONN INTERCONNECT TECHNOLOGY LIMITED AND SHALL NOT BE REPRODUCED, COPIED OR USED IN ANY MANNER WITHOUT THE PRIOR WRITTEN CONSENT OF FOXCONN INTERCONNECT TECHNOLOGY LIMITED.



I/O PANEL DIRECTION  
PRIMARY (COMPONENT) SIDE



I/O PANEL DIRECTION  
SECONDARY (SOLDER) SIDE

ADD-IN CARD EDGE-FINGER DIMENSIONS

PRELIMINARY

NOTES:

- 1. NO TIE PERMITTED FROM CARD EDGE TO LEADING EDGE OF PAD FOR PINS A1 AND 'C'.
- 2. CHAMFER EDGES MUST BE FREE OF CUTTING BURRS.

2EG149**_****_**	98/8X	B48	37.00	39.15
PART NUMBER	POS NO. /WAY	C	DIM.E	DIM.F

X.±	X.±	UNITS	MM	NAME (INTENDED USE)	<b>FOXCONN®</b> FOXCONN INTERCONNECT TECHNOLOGY LIMITED
.X± 0.25	.X±	MAT'L	N/A	R/A PCI EXPRESS 1.00mm PITCH,T/H	
.XX± 0.13	.XX±	FINISH	N/A	PART NO.(INTENDED USE)	CLASS: <input type="checkbox"/> CONFIDENTIAL <input type="checkbox"/> SECRET <input checked="" type="checkbox"/> GENERAL
.XXX±	.XXX±	Q'TY	N/A	2EG1****-D2D8-**	TITLE: CUSTOMER DRAWING
THESE DRAWINGS AND SPECIFICATIONS ARE THE PROPERTY OF FOXCONN INTERCONNECT TECHNOLOGY LIMITED AND SHALL NOT BE REPRODUCED, COPIED OR USED IN ANY MANNER WITHOUT THE PRIOR WRITTEN CONSENT OF FOXCONN INTERCONNECT TECHNOLOGY LIMITED.				APPD: Davy Bu 02/07'17	DWG. NO.: 303-0000-3318
				CHKD: Johnny Tang 02/07'17	SCALE SHEET REV.
				DR: Qin Teng 02/07'17	N/A 2/2 X7