



PART NO. : 67-22SURUYC/S530-A2/TR8

Device Number : DSE-672-032 REV. 1.1

TOP LED

ECN : \_\_\_\_\_ Page: 1/9

**Features :**

- P-LCC-4 package.
- White package.
- Optical indicator.
- Colorless clear window.
- Ideal for backlight and light pipe application.
- Inter reflector.
- Low (2mA) current operation.
- Wide viewing angle.
- Computable with automatic placement equipment.
- Suitable for vapor-phase reflow, Infrared reflow and wave solder processes.
- Available on tape and reel (8mm Tape).

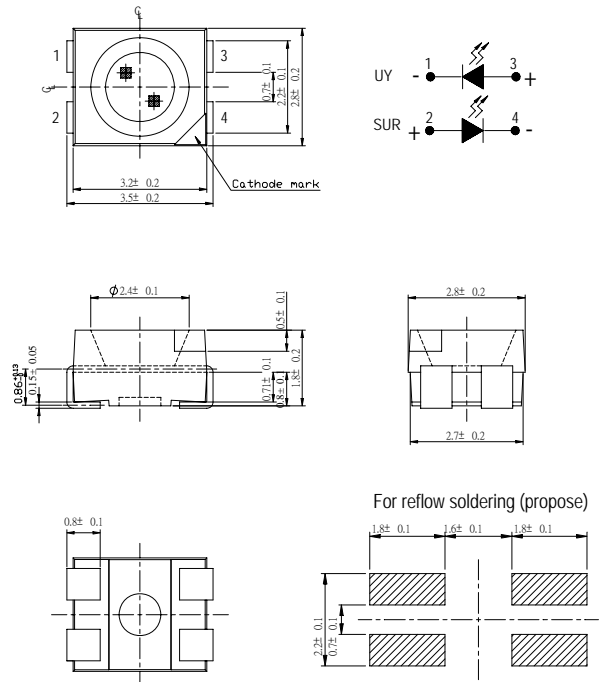
**Descriptions :**

- The 67-22 series is available in soft orange, green, blue and yellow.
- Due to the package design, the LED has wide viewing angle and optimized light coupling by inter reflector, this feature makes the SMT TOP LED ideal for light pipe application.
- The low current requirement makes this device ideal for portable equipment or any other application where power is at a premium.

**Applications :**

- Automotive: backlight in dashboards and switches.
- Telecommunication: indicator and backlight in telephone and fax.
- Indicator and backlight for audio and video equipment.
- Indicator and backlight in office and family equipment.
- Flat backlight for LCD's, switches and symbols.
- Light pipe application.
- General use.

**Package Dimensions :**



**Notes:**

Tolerances Unless Dimension ± 0.1mm  
 Angle±0.5°  
 Unit = mm

Part NO.	Chip		Lens Color
	Material	Emitted Color	
67-22SURUYC/S530-A2/TR8	AlGaInP	Hyper Red	Water Clear
	AlGaInP	Super Yellow	

Office: NO. 25, Lane 76, Sec.3, Chung Yang Rd., Tucheng 236, Taipei, Taiwan, R.O.C.

TEL: 886-2-2267-2000, 2267-9936

FAX: 886-2-2267-6244, 2267-6189, 2267-6306

http://www.everlight.com



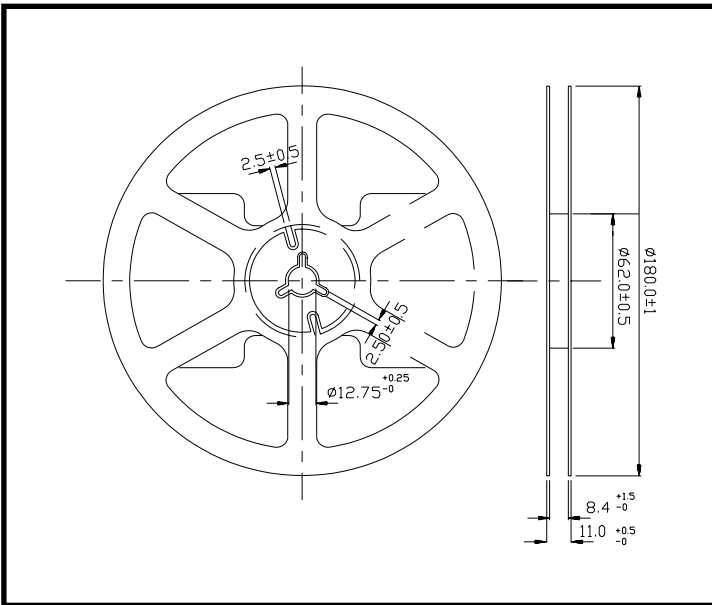
PART NO. : 67-22SURUYC/S530-A2/TR8

Device Number : DSE-672-032 REV. 1.1

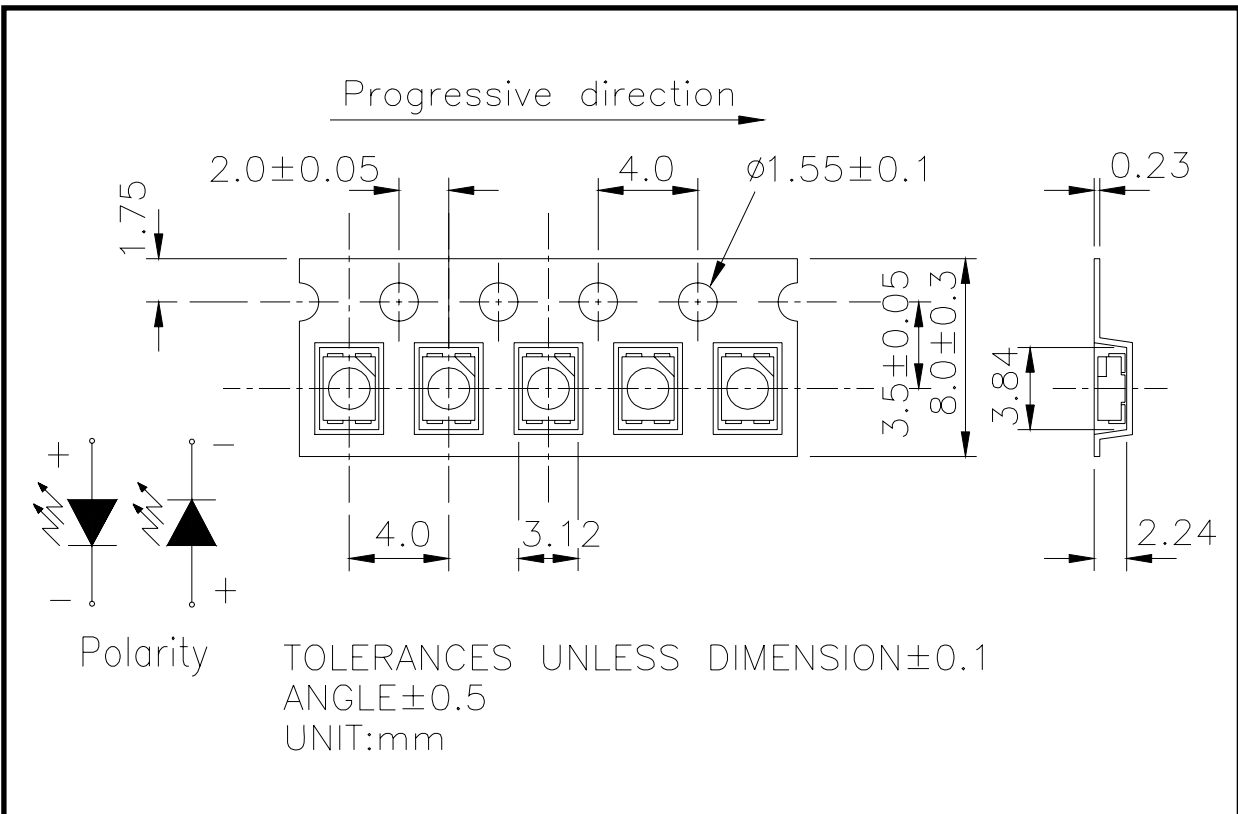
TOP LED

ECN : \_\_\_\_\_ Page: 2/9

■ Package Dimensions :



■ Loaded quantity per reel 2000 PCS/reel :





PART NO. : 67-22SURUYC/S530-A2/TR8

Device Number : DSE-672-032 REV. 1.1

TOP LED

ECN : \_\_\_\_\_ Page: 3/9

■ Absolute Maximum Ratings at Ta = 25°C (SUR) :

Parameter	Symbol	Rating	Unit
Reverse Voltage	V <sub>R</sub>	5	V
Forward Current	I <sub>F</sub>	25	mA
Operating Temperature	T <sub>opr</sub>	-40 ~ +85	°C
Storage Temperature	T <sub>stg</sub>	-40 ~ +90	°C
Soldering Temperature	T <sub>sol</sub>	260 (for 5 second)	°C
Electrostatic Discharge	ESD	2000	V
Power Dissipation	P <sub>d</sub>	60	mW
Peak Forward Current(Duty 1/10 @ 1KHz)	I <sub>F(Peak)</sub>	160	mA

■ Electronic Optical Characteristics (SUR) :

Parameter	Symbol	Min.	Typ.	Max.	Unit	Condition
Luminous intensity	I <sub>v</sub>	-----	4	-----	mcd	I <sub>F</sub> =2mA
		24	60	-----	mcd	I <sub>F</sub> =20mA
Viewing Angle	2θ 1/2	-----	120	-----	deg	I <sub>F</sub> =20mA
Peak Wavelength	λ <sub>p</sub>	-----	632	-----	nm	I <sub>F</sub> =20mA
Dominant Wavelength	λ <sub>d</sub>	-----	624	-----	nm	I <sub>F</sub> =20mA
Spectrum Radiation Bandwidth	△λ	-----	20	-----	nm	I <sub>F</sub> =20mA
Forward Voltage	V <sub>F</sub>	-----	2.0	2.4	V	I <sub>F</sub> =20mA
Reverse Current	I <sub>R</sub>	-----	-----	10	μA	V <sub>R</sub> =5V



PART NO. : 67-22SURUYC/S530-A2/TR8

Device Number : DSE-672-032 REV. 1.1

TOP LED

ECN : \_\_\_\_\_ Page: 4/9

■ Absolute Maximum Ratings at Ta = 25°C (UY) :

Parameter	Symbol	Rating	Unit
Reverse Voltage	V <sub>R</sub>	5	V
Forward Current	I <sub>F</sub>	25	mA
Operating Temperature	T <sub>opr</sub>	-40 ~ +85	°C
Storage Temperature	T <sub>stg</sub>	-40 ~ +90	°C
Soldering Temperature	T <sub>sol</sub>	260(for 5 second)	°C
Electrostatic Discharge	ESD	2000	V
Power Dissipation	P <sub>d</sub>	60	mW
Peak Forward Current(Duty 1/10 @ 1KHz)	I <sub>F(Peak)</sub>	160	mA

■ Electronic Optical Characteristics (UY) :

Parameter	Symbol	Min.	Typ.	Max.	Unit	Condition
Luminous intensity	I <sub>v</sub>	-----	4	-----	mcd	I <sub>F</sub> =2mA
		24	60	-----	mcd	I <sub>F</sub> =20mA
Viewing Angle	2θ 1/2	-----	120	-----	deg	I <sub>F</sub> =20mA
Peak Wavelength	λ <sub>p</sub>	-----	591	-----	nm	I <sub>F</sub> =20mA
Dominant Wavelength	λ <sub>d</sub>	-----	589	-----	nm	I <sub>F</sub> =20mA
Spectrum Radiation Bandwidth	Δλ	-----	15	-----	nm	I <sub>F</sub> =20mA
Forward Voltage	V <sub>F</sub>	-----	2.0	2.4	V	I <sub>F</sub> =20mA
Reverse Current	I <sub>R</sub>	-----	-----	10	μA	V <sub>R</sub> =5V

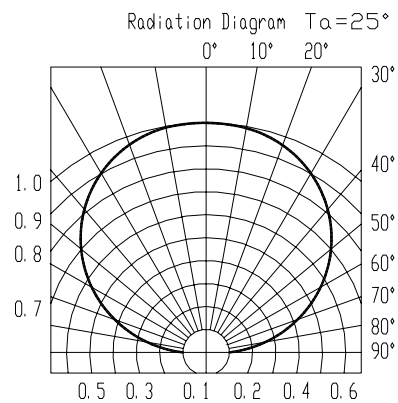
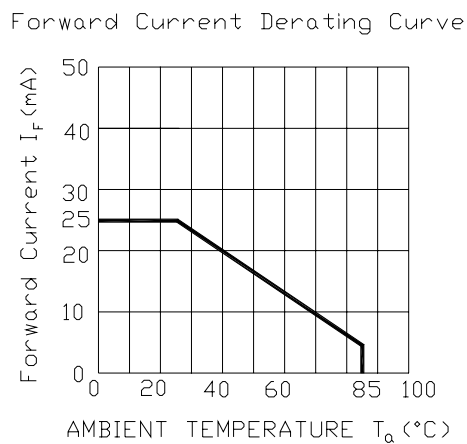
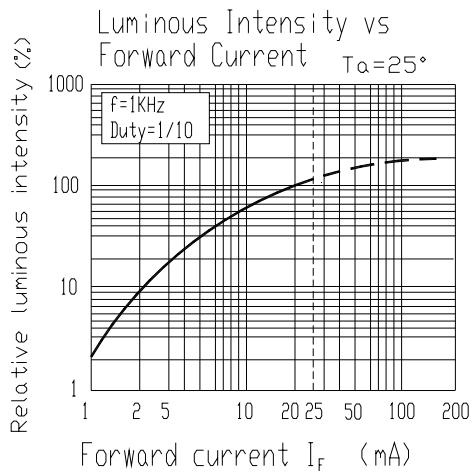
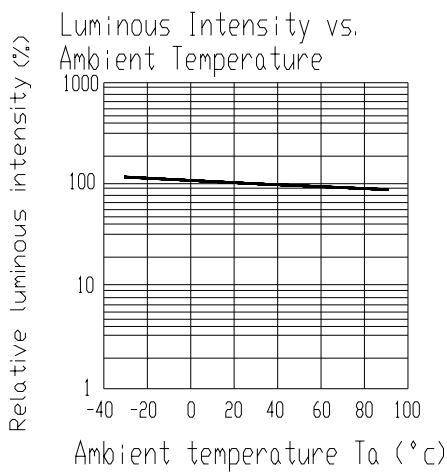
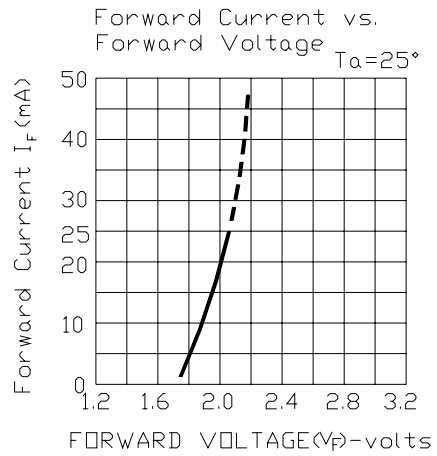
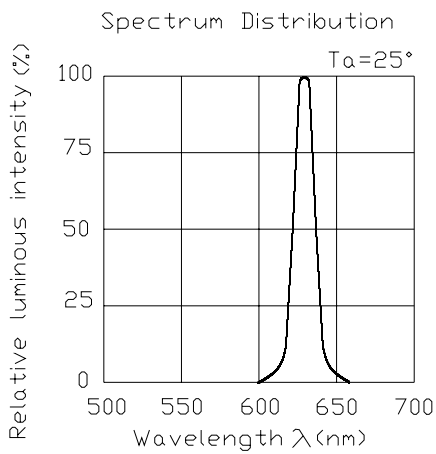


PART NO. : 67-22SURUYC/S530-A2/TR8  
**TOP LED**

Device Number : DSE-672-032 REV. 1.1

ECN : \_\_\_\_\_ Page: 5/9

■ **Typical Electro-Optical Characteristic Curves(SUR) :**



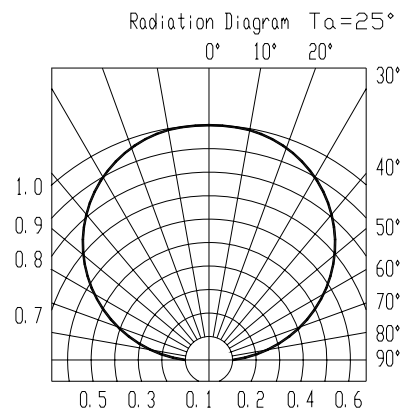
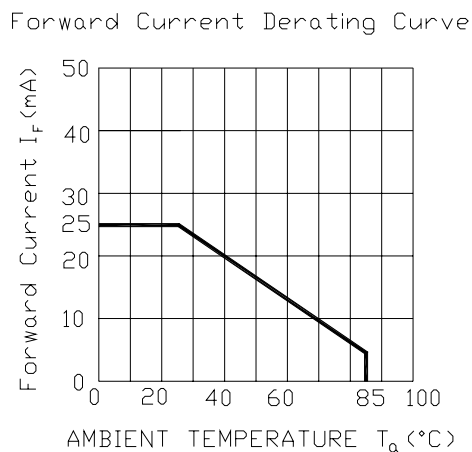
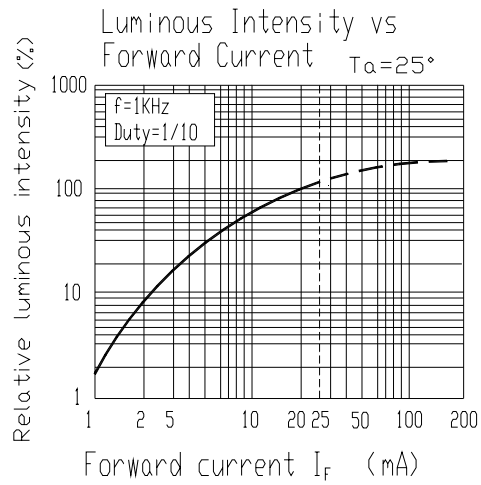
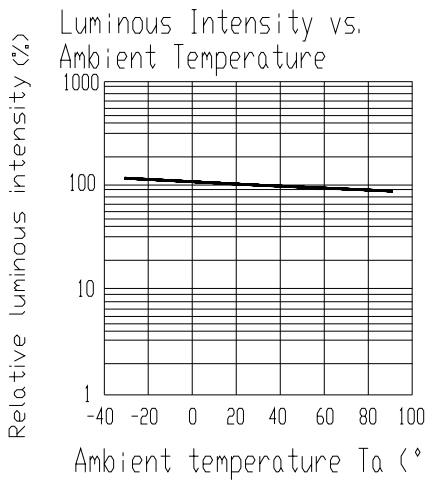
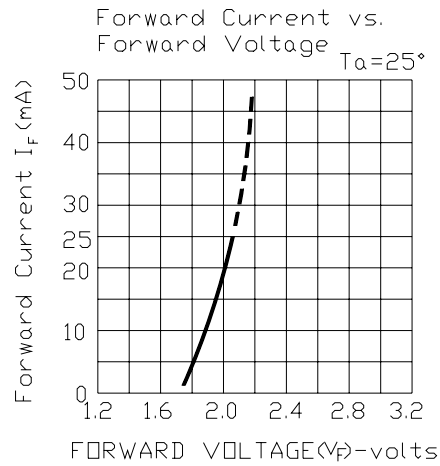
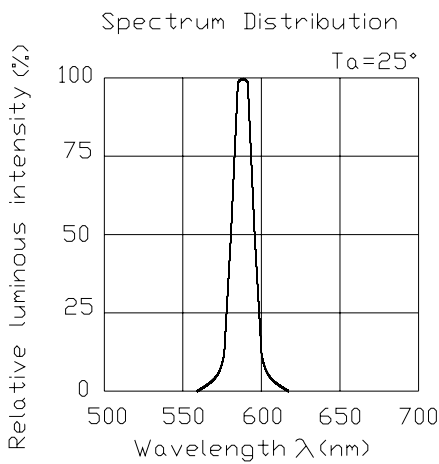


PART NO. : 67-22SURUYC/S530-A2/TR8  
**TOP LED**

Device Number : DSE-672-032 REV. 1.1

ECN : \_\_\_\_\_ Page: 6/9

**Typical Electro-Optical Characteristic Curves(UY) :**





PART NO. : 67-22SURUYC/S530-A2/TR8

Device Number : DSE-672-032 REV. 1.1

TOP LED

ECN : \_\_\_\_\_ Page: 7/9

■ Reliability Test Items And Conditions :

NO	Item	Test Conditions	Test Hours/Cycle	Sample Size	Ac/Re
1	Solder Heat	TEMP : 260°C ± 5 °C	5 SEC	76 PCS	0/1
2	Temperature Cycle	H : +85°C 30min ∫ 5 min L : -55°C 30min	50 CYCLES	76 PCS	0/1
3	Thermal Shock	H : +100°C 5min ∫ 10 sec L : -10°C 5min	50 CYCLES	76 PCS	0/1
4	High Temperature Storage	TEMP : 100°C	1000 HRS	76 PCS	0/1
5	Low Temperature Storage	TEMP : -55°C	1000 HRS	76 PCS	0/1
6	DC Operating Life	I <sub>F</sub> = 20 mA	1000 HRS	76 PCS	0/1
7	High Temperature / High Humidity	85°C/85% RH	1000 HRS	76 PCS	0/1

Products are evaluated according to the above standard reliability criteria.



PART NO. : 67-22SURUYC/S530-A2/TR8

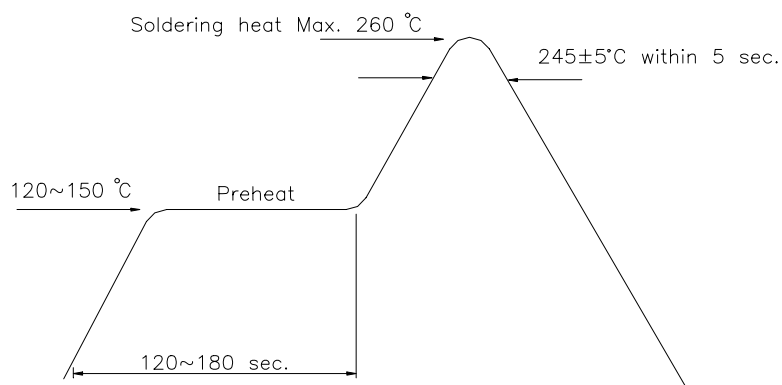
Device Number : DSE-672-032 REV. 1.1

TOP LED

ECN : ..... Page: 8/9

■ **Soldering heat reliability ( DIP ) :**

Please refer to the following figure :

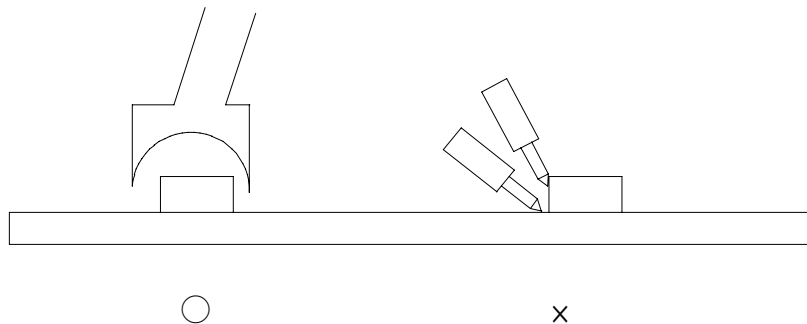


■ **Soldering Iron :**

Basic spec is  $\leq 5$  sec when 245°C. If temperature is higher, time should be shorter (+10°C → -1sec). Power dissipation of Iron should be smaller than 15 W , and temperature should be controllable. Surface temperature of the device should be under 230 °C .

■ **Rework :**

1. Customer must finish rework within 5 sec under 245°C .
2. The head of iron can not touch copper foil.
3. Twin-head type is preferred.







EVERLIGHT ELECTRONICS CO., LTD.

PART NO. : 67-22SURUYC/S530-A2/TR8

Device Number : DSE-672-032 REV. 1.1

TOP LED

ECN : ..... Page: 9/9

■ Reflow Temp. / Time :

