

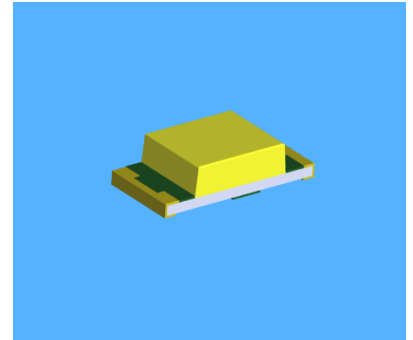
Technical Data Sheet

0603 Package Chip LED (0.4mm Height)

19-217UTD/S652-2/TR8

Features

- Package in 8mm tape on 7" diameter reel.
- Compatible with automatic placement equipment.
- Compatible with infrared and vapor phase reflow solder process.
- Mono-color type.
- Pb-free.
- The product itself will remain within RoHS complaint version.



Descriptions

- The 19-217 SMD LED is much smaller than lead frame type components, thus enable smaller board size, higher packing density, reduced storage space and finally smaller equipment to be obtained.
- Besides, lightweight makes them ideal for miniature applications. etc.

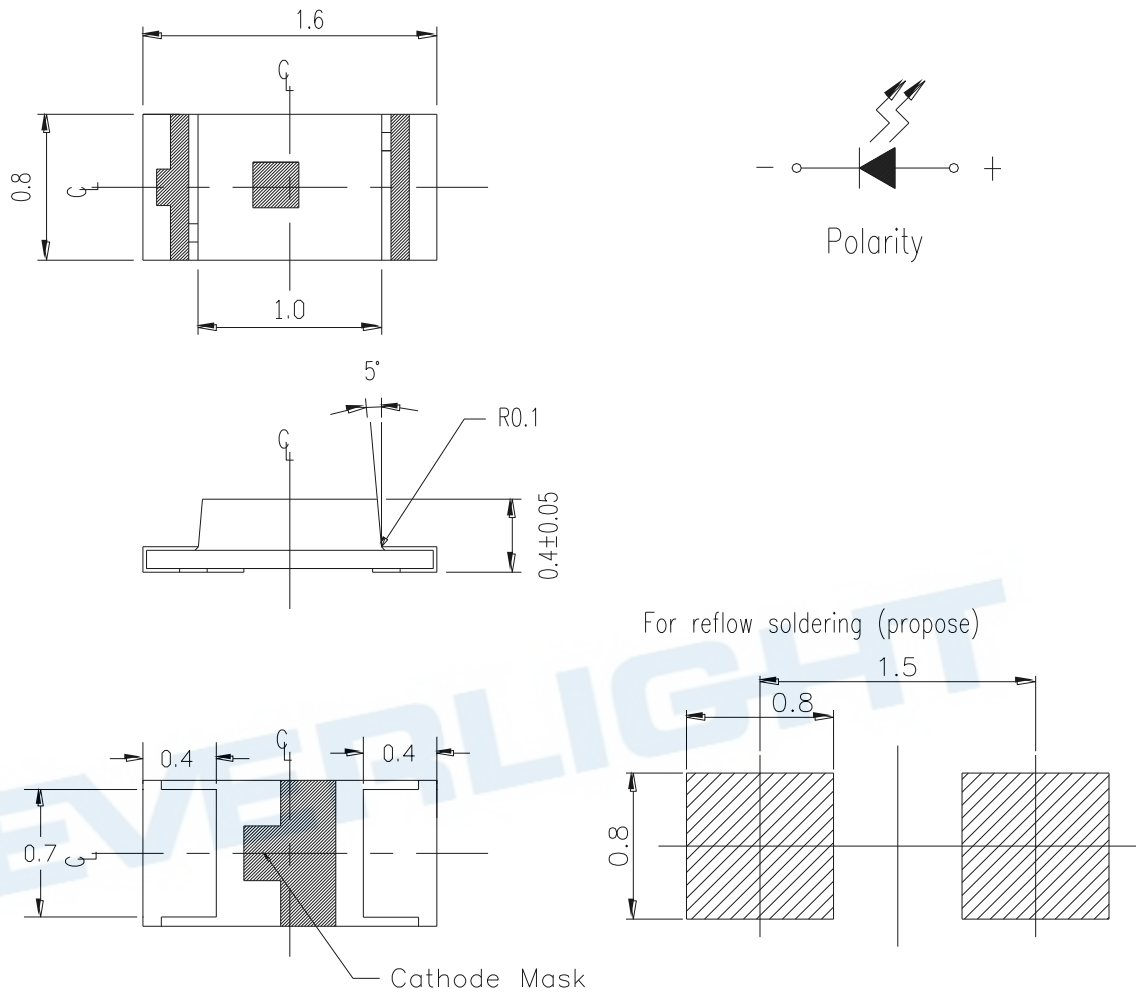
Applications

- Backlighting in dashboard and switch.
- Telecommunication: indicator and backlighting in telephone and fax.
- Flat backlight for LCD, switch and symbol.
- General use.

Device Selection Guide

Part No.	Chip	Emitted Color	Resin Color
	Material		
19-217UTD/S652-2/TR8	InGaN	Pure White	Yellow Diffused

Package Outline Dimensions



Note: The tolerances unless mentioned is ± 0.1 mm, Unit = mm

Absolute Maximum Ratings (Ta=25°C)

Parameter	Symbol	Rating	Unit
Reverse Voltage	V _R	5	V
Forward Current	I _F	25	mA
Peak Forward Current (Duty 1/10 @1KHz)	I _{FP}	100	mA
Power Dissipation	P _d	95	mW
Electrostatic Discharge(HBM)	ESD	150	V
Operating Temperature	T _{opr}	-40 ~ +85	°C
Storage Temperature	T _{stg}	-40 ~ +90	°C
Soldering Temperature	T _{sol}	Reflow Soldering : 260 °C for 10 sec. Hand Soldering : 350 °C for 3 sec.	

Electro-Optical Characteristics (Ta=25°C)

Parameter	Symbol	Min.	Typ.	Max.	Unit	Condition
Luminous Intensity	I _v	50.0	----	125	mcd	I _F =5mA
Viewing Angle	2θ 1/2	-----	130	-----	deg	
Forward Voltage	V _F	2.75	-----	3.20	V	
Reverse Current	I _R	-----	-----	50	μA	V _R =5V

Bin Range Of Luminous Intensity

Bin	Min.	Max.	Unit	Condition
P2-1	50.00	70.00	mcd	$I_F=5mA$
P2-2	64.00	80.00		
Q1-1	72.00	90.00		
Q1-2	80.00	98.00		
Q2-1	89.00	108.00		
Q2-2	97.00	125.00		

Bin Range Of Forward Voltage

Bin	Min	Max	Unit	Condition
1	2.75	2.95	V	$I_F=5mA$
2	2.85	3.05		
3	2.95	3.20		

EVERLIGHT

Chromaticity Coordinates Specifications for Bin Grading

5mA

Rank	CIE_x	CIE_y
9-1-1	0.327	0.301
	0.327	0.318
	0.334	0.327
	0.334	0.311
9-1-2	0.327	0.318
	0.327	0.334
	0.334	0.343
	0.334	0.327
9-2-1	0.334	0.311
	0.334	0.327
	0.341	0.336
	0.341	0.320
9-2-2	0.334	0.327
	0.334	0.343
	0.341	0.352
	0.341	0.336
10-1-1	0.327	0.334
	0.327	0.350
	0.334	0.359
	0.334	0.343
10-1-2	0.327	0.350
	0.327	0.366
	0.334	0.376
	0.334	0.360

Chromaticity Coordinates Specifications for Bin Grading

5mA

Rank	CIE_x	CIE_y
10-2-1	0.334	0.343
	0.334	0.359
	0.341	0.369
	0.341	0.352
10-2-2	0.334	0.360
	0.334	0.376
	0.341	0.385
	0.341	0.369
11-1-1	0.341	0.320
	0.341	0.336
	0.347	0.346
	0.347	0.330
11-1-2	0.341	0.336
	0.341	0.352
	0.347	0.362
	0.347	0.346
11-2-1	0.347	0.330
	0.347	0.346
	0.354	0.355
	0.354	0.339
11-2-2	0.347	0.346
	0.347	0.362
	0.354	0.371
	0.354	0.355

Chromaticity Coordinates Specifications for Bin Grading

5mA

Rank	CIE_x	CIE_y
12-1-1	0.341	0.352
	0.341	0.369
	0.347	0.379
	0.347	0.362
12-1-2	0.341	0.369
	0.341	0.385
	0.347	0.395
	0.347	0.379
12-2-1	0.347	0.362
	0.347	0.379
	0.354	0.388
	0.354	0.371
12-2-2	0.347	0.379
	0.347	0.395
	0.354	0.404
	0.354	0.388
13-1-1	0.354	0.339
	0.354	0.355
	0.360	0.364
	0.360	0.348
13-1-2	0.354	0.355
	0.354	0.371
	0.360	0.380
	0.360	0.364

Chromaticity Coordinates Specifications for Bin Grading

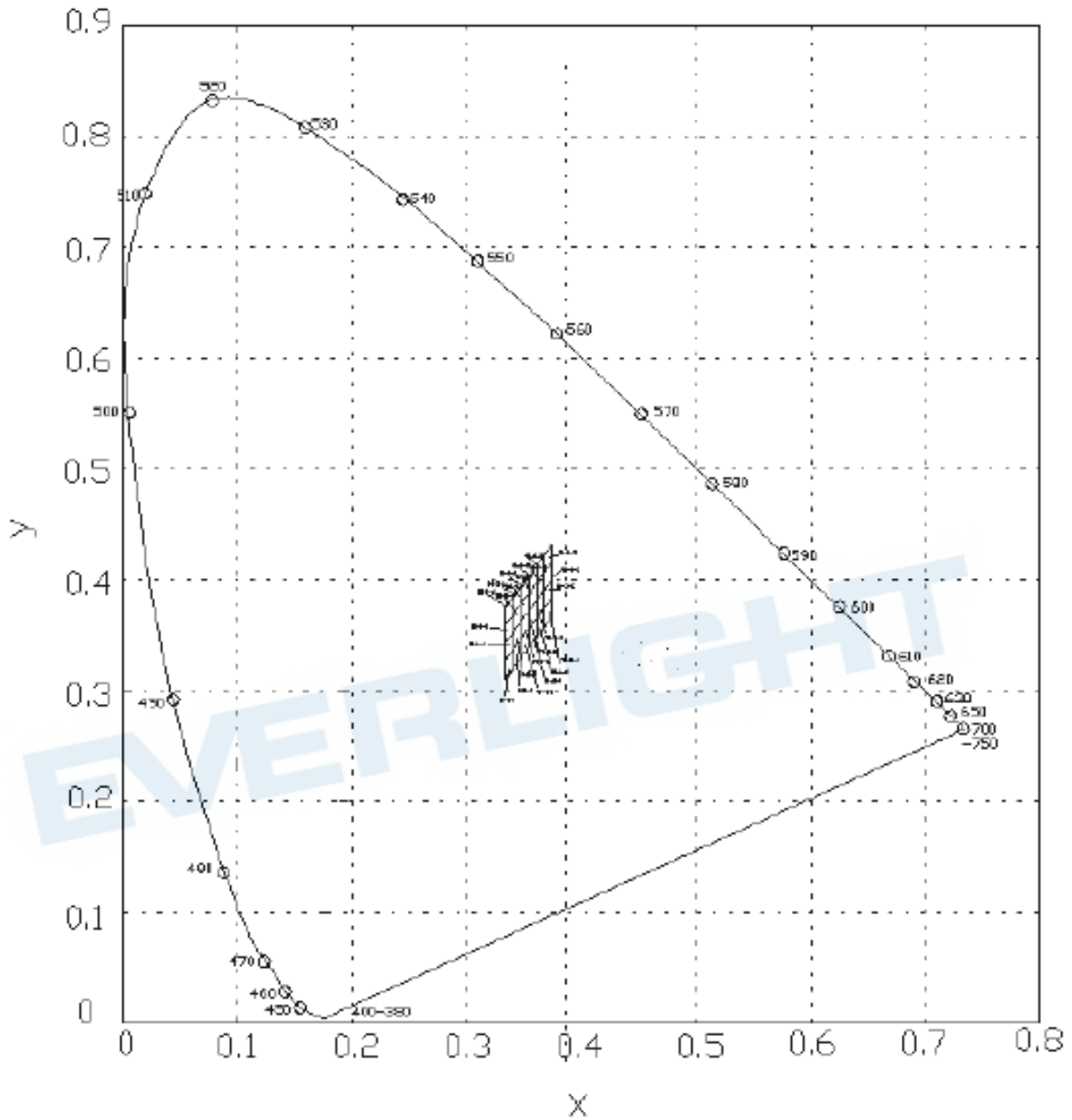
5mA

Rank	CIE_x	CIE_y
13-2-1	0.360	0.348
	0.360	0.364
	0.367	0.374
	0.367	0.358
13-2-2	0.360	0.364
	0.360	0.380
	0.367	0.390
	0.367	0.374
14-1-1	0.354	0.371
	0.354	0.388
	0.360	0.397
	0.360	0.380
14-1-2	0.354	0.388
	0.354	0.404
	0.360	0.413
	0.360	0.397
14-2-1	0.360	0.380
	0.360	0.397
	0.367	0.407
	0.367	0.390
14-2-2	0.360	0.397
	0.360	0.413
	0.367	0.423
	0.367	0.407

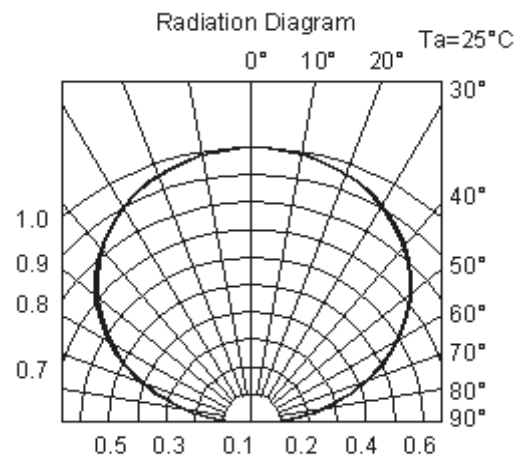
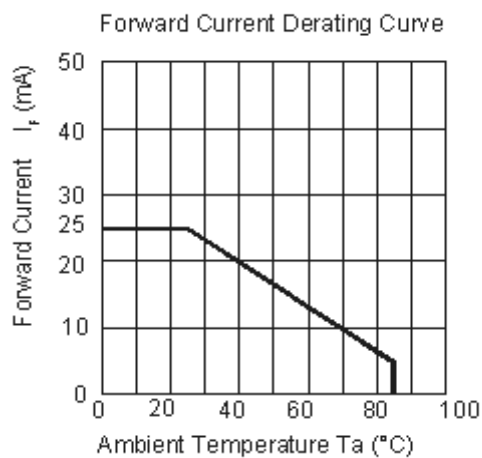
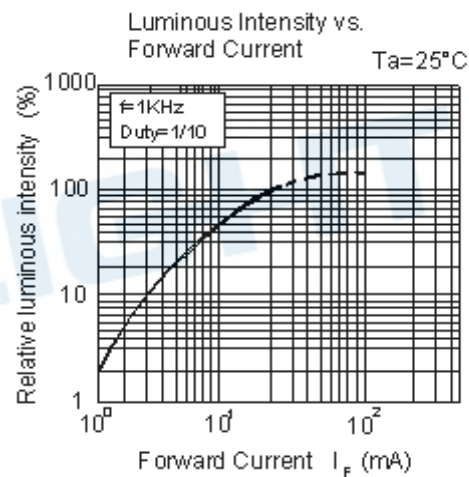
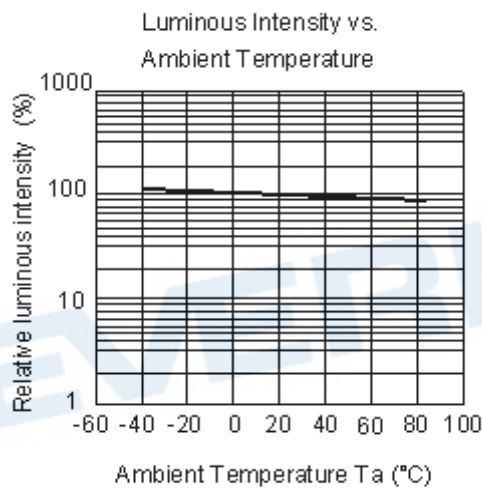
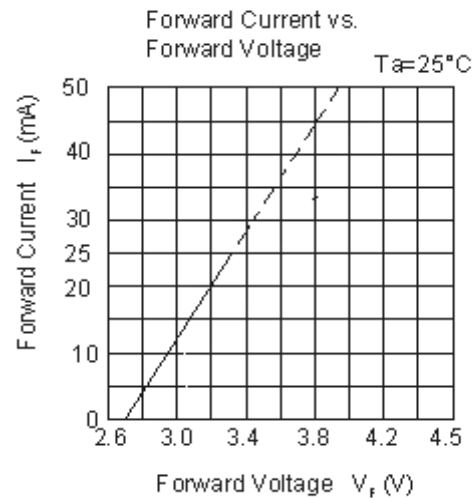
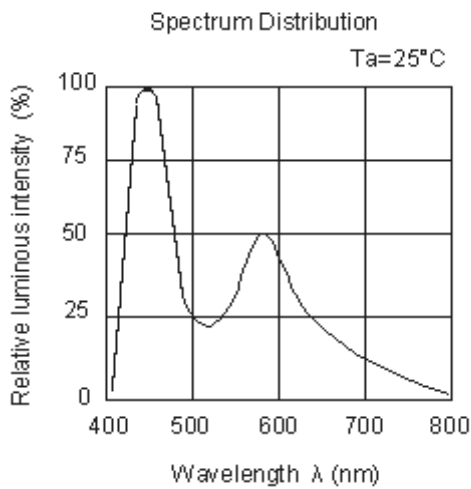
Notes:

- 1.The C.I.E. 1931 chromaticity diagram (Tolerance ± 0.01).
- 2.The products are sensitive to static electricity and care must be fully taken when handling products.

CIE Chromaticity Diagram



Typical Electro-Optical Characteristics Curves

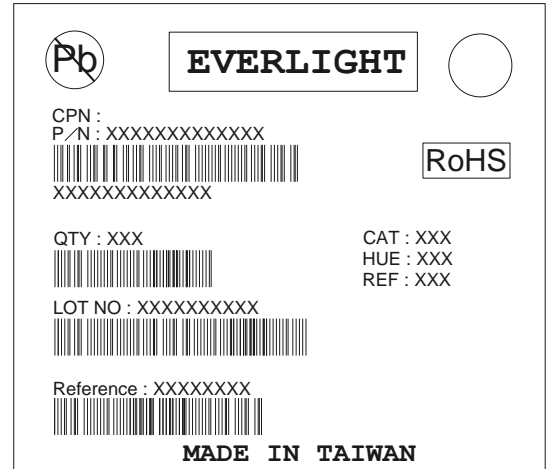


Label explanation

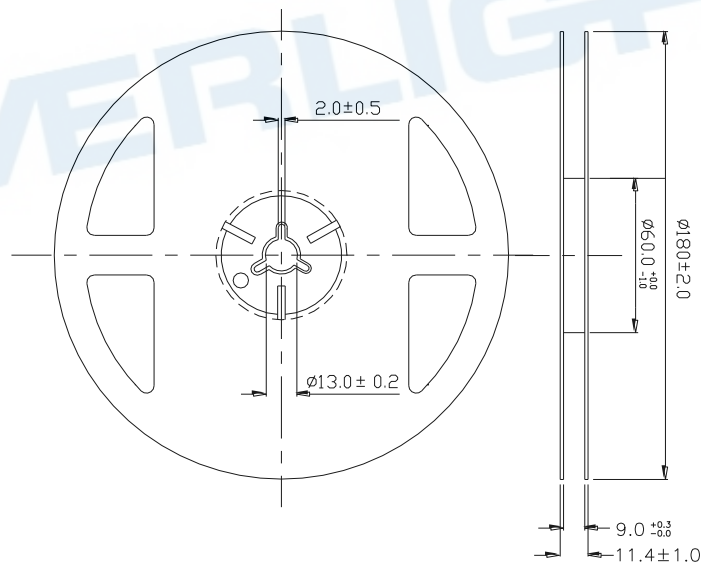
CAT: Luminous Intensity Rank

HUE: Chromaticity Coordinates

REF: Forward Voltage Rank

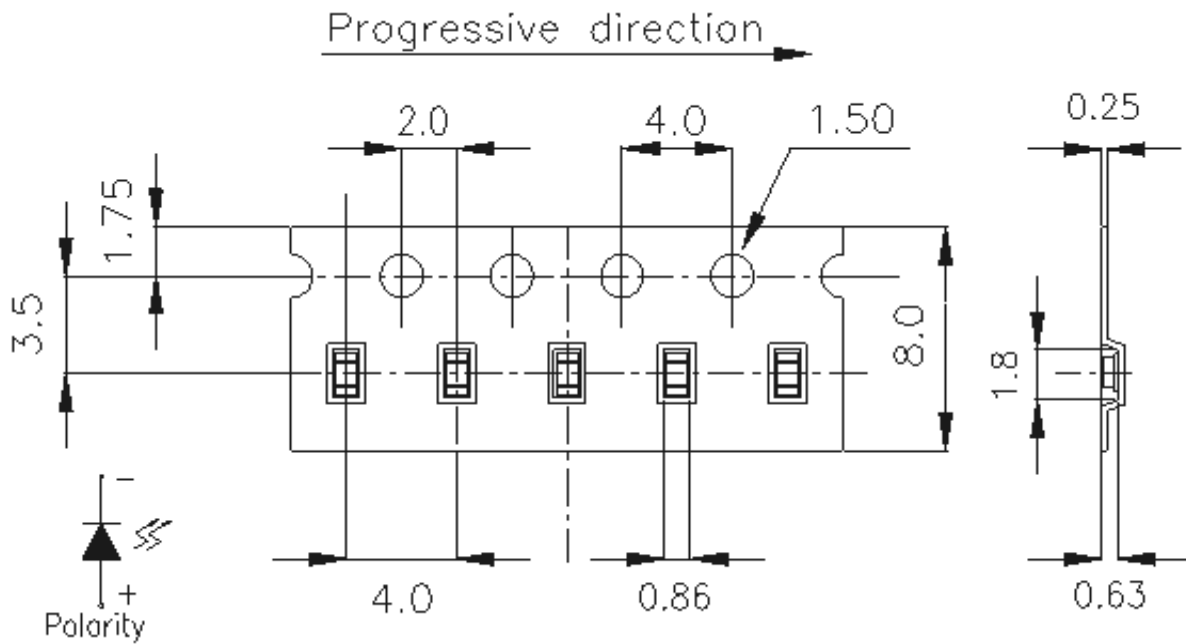


Reel Dimensions



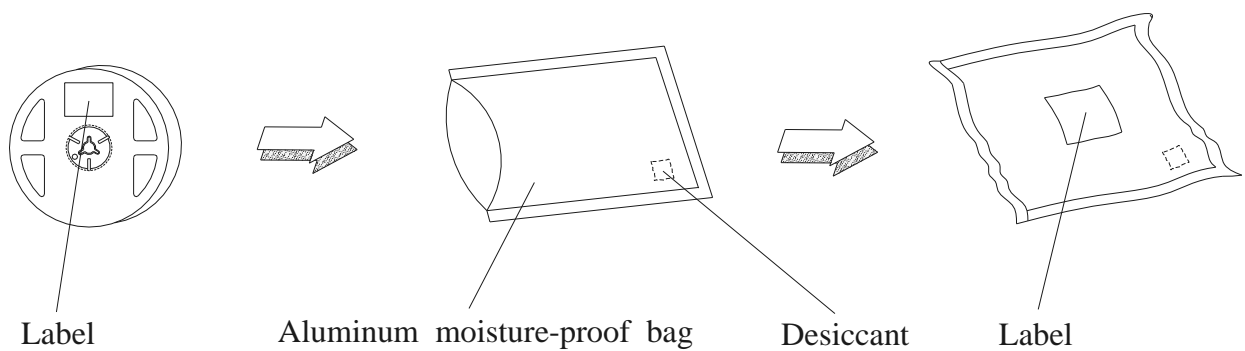
Note: The tolerances unless mentioned is ± 0.1 mm, Unit = mm

Carrier Tape Dimensions: Loaded quantity 3000 PCS per reel



Note: The tolerances unless mentioned is $\pm 0.1\text{mm}$, Unit = mm

Moisture Resistant Packaging



Reliability Test Items And Conditions

The reliability of products shall be satisfied with items listed below.

Confidence level : 90%

LTPD : 10%

No.	Items	Test Condition	Test Hours/Cycles	Sample Size	Ac/Re
1	Reflow Soldering	Temp. : 260°C ±5°C Min. 5sec.	6 Min.	22 PCS.	0/1
2	Temperature Cycle	H : +100°C 15min ∫ 5 min L : -40°C 15min	300 Cycles	22 PCS.	0/1
3	Thermal Shock	H : +100°C 5min ∫ 10 sec L : -10°C 5min	300 Cycles	22 PCS.	0/1
4	High Temperature Storage	Temp. : 100°C	1000 Hrs.	22 PCS.	0/1
5	Low Temperature Storage	Temp. : -40°C	1000 Hrs.	22 PCS.	0/1
6	DC Operating Life	IF = 20 mA	1000 Hrs.	22 PCS.	0/1
7	High Temperature / High Humidity	85°C / 85%RH	1000 Hrs.	22 PCS.	0/1

Precautions For Use

1. Over-current-proof

Customer must apply resistors for protection , otherwise slight voltage shift will cause big current change (Burn out will happen).

2. Storage

2.1 Do not open moisture proof bag before the products are ready to use.

2.2 Before opening the package, the LEDs should be kept at 30°C or less and 90%RH or less.

2.3 After opening the package: The LED's floor life is 1 year under 30°C or less and 60% RH or less.

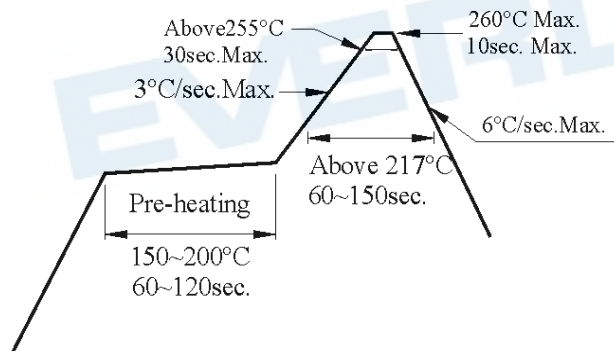
If unused LEDs remain, it should be stored in moisture proof packages.

2.4 If the moisture absorbent material (silica gel) has faded away or the LEDs have exceeded the storage time, baking treatment should be performed using the following conditions.

Baking treatment : 60±5°C for 24 hours.

3. Soldering Condition

3.1 Pb-free solder temperature profile



3.2 Reflow soldering should not be done more than two times.

3.3 When soldering, do not put stress on the LEDs during heating.

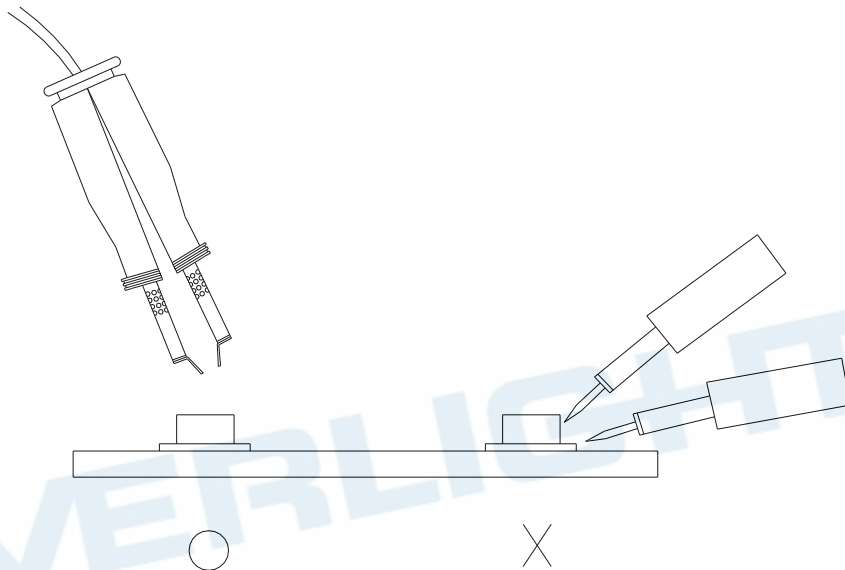
3.4 After soldering, do not warp the circuit board.

4.Soldering Iron

Each terminal is to go to the tip of soldering iron temperature less than 350°C for 3 seconds within once in less than the soldering iron capacity 25W. Leave two seconds and more intervals, and do soldering of each terminal. Be careful because the damage of the product is often started at the time of the hand solder.

5.Repairing

Repair should not be done after the LEDs have been soldered. When repairing is unavoidable, a double-head soldering iron should be used (as below figure). It should be confirmed beforehand whether the characteristics of the LEDs will or will not be damaged by repairing.



EVERLIGHT ELECTRONICS CO., LTD.
Office: No 25, Lane 76, Sec 3, Chung Yang Rd,
Tucheng, Taipei 236, Taiwan, R.O.C

Tel: 886-2-2267-2000, 2267-9936
Fax: 886-2267-6244, 2267-6189, 2267-6306
<http://www.everlight.com>