

Technical Data Sheet

Right Angle Lens Chip LED with Bi-Color (Multi-Color)

12-22C/T3S2D-C34/2C

Features

- Package in 8mm tape on 7" diameter reel.
- Compatible with automatic placement equipment.
- Compatible with infrared and vapor phase reflow solder process.
- Multi-color type.
- Pb-free.
- The product itself will remain within RoHS compliant version.



Descriptions

- The 12-22C SMD LED is much smaller than lead frame type components, thus enable smaller board size, higher packing density, reduced storage space and finally smaller equipment to be obtained.
- Besides, lightweight makes them ideal for miniature applications. etc.

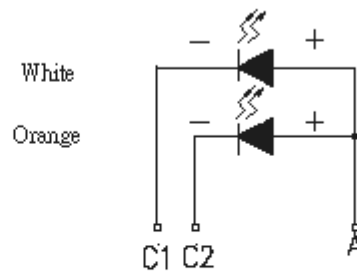
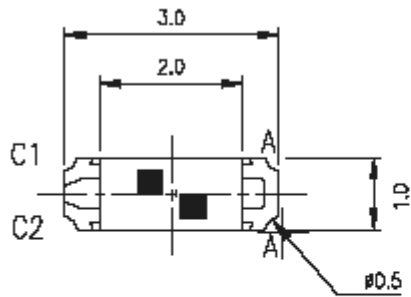
Applications

- Backlighting in dashboard and switch.
- Telecommunication: indicator and backlighting in telephone and fax.
- Flat backlight for LCD, switch and symbol.
- General use.

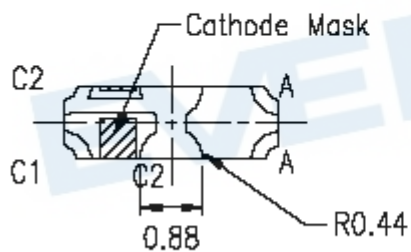
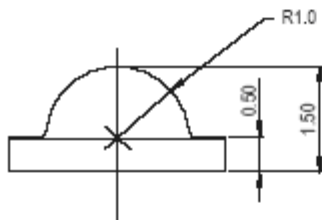
Device Selection Guide

Chip		Emitted Color	Resin Color
Type	Material		
T3	InGaN	Pure White	Yellow Diffused
S2	AlGaInP	Brilliant Orange	

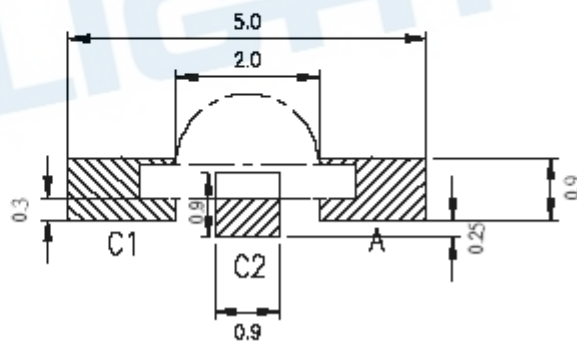
Package Outline Dimensions



Polarity



For reflow soldering (propose)



Note: The tolerances unless mentioned is $\pm 0.1\text{mm}$, Unit = mm

Absolute Maximum Ratings (Ta=25°C)

Parameter	Symbol	Rating	Unit
Reverse Voltage	V_R	5	V
Forward Current	I_F	T3:25 S2:25	mA
Peak Forward Current (Duty 1/10 @1KHz)	I_{FP}	T3:100 S2:60	mA
Power Dissipation	P_d	T3:95 S2:60	mW
Electrostatic Discharge (HBM)	ESD	T3:150 S2:2000	V
Operating Temperature	T_{opr}	-40 ~ +85	°C
Storage Temperature	T_{stg}	-40 ~ +90	°C
Soldering Temperature	T_{sol}	Reflow Soldering : 260 °C for 10 sec. Hand Soldering : 350 °C for 3 sec.	

Electro-Optical Characteristics (Ta=25°C)

Parameter	Symbol	Min.	Typ.	Max.	Unit	Condition
Luminous Intensity	I _v T3	45	----	112	mcd	I _F =5mA
	S2	11.5	----	28.5		
Viewing Angle	2θ 1/2	-----	130	-----	deg	
Peak Wavelength	λ _p T3	-----	-----	-----	nm	
	S2	-----	611	-----		
Dominant Wavelength	λ _d T3	-----	-----	-----	nm	
	S2	-----	605	-----		
Spectrum Radiation Bandwidth	Δλ T3	-----	-----	-----	nm	
	S2	-----	17	-----		
Forward Voltage	V _F T3	2.7	3.3	3.7	V	
	S2	1.6	2.0	2.3		
Reverse Current	I _R T3	-----	-----	50	μA	V _R =5V
	S2	-----	-----	10		

Notes:

- 1. Tolerance of Luminous Intensity ±11%**

Bin Range Of Luminous Intensity
T3

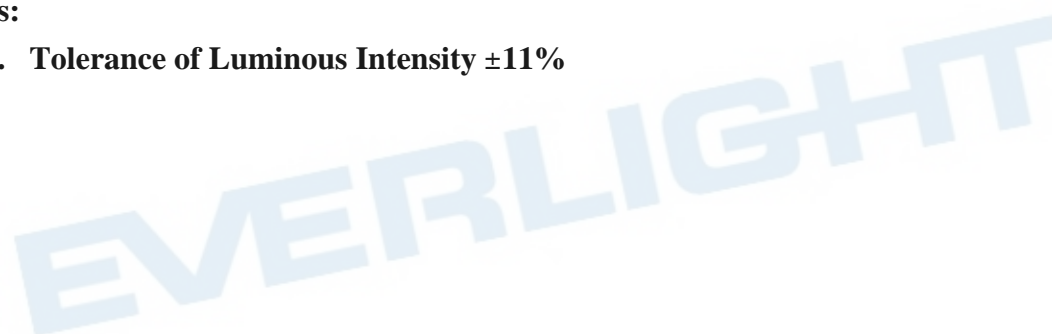
Bin	Min	Max	Unit	Condition
P	45	72	mcd	I _F =5mA
Q	72	112		

S2

Bin	Min	Max	Unit	Condition
L	11.5	18	mcd	I _F =5mA
M	18	28.5		

Notes:

1. Tolerance of Luminous Intensity $\pm 11\%$



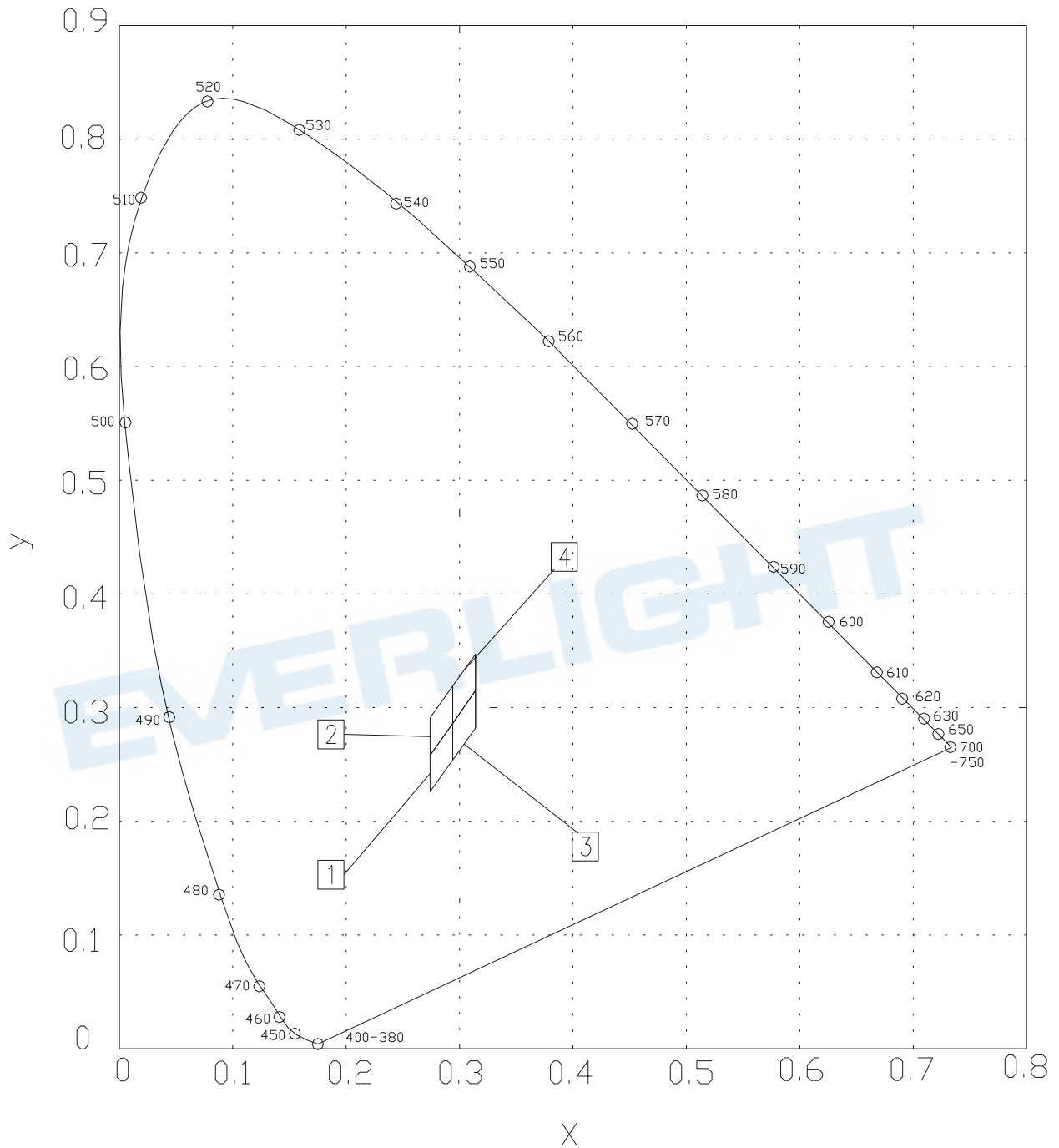
Chromaticity Coordinates Specifications for Bin Grading

Bin Code	CIE_x	CIE_y	Condition
1	0.274	0.232	I _F =5mA
	0.274	0.258	
	0.294	0.286	
	0.294	0.260	
2	0.274	0.258	
	0.274	0.287	
	0.294	0.312	
	0.294	0.286	
3	0.294	0.260	
	0.294	0.286	
	0.314	0.314	
	0.314	0.288	
4	0.294	0.286	
	0.294	0.312	
	0.314	0.340	
	0.314	0.314	

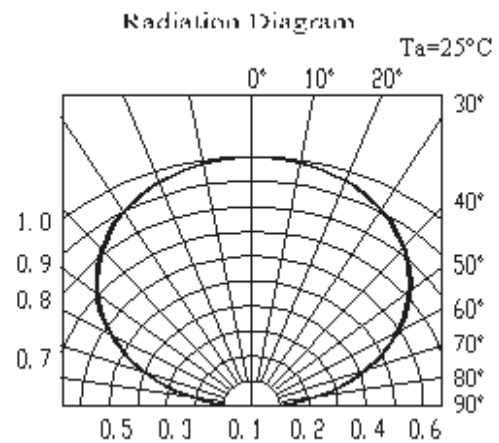
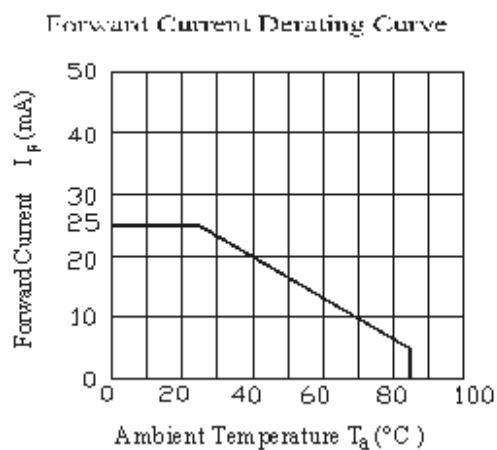
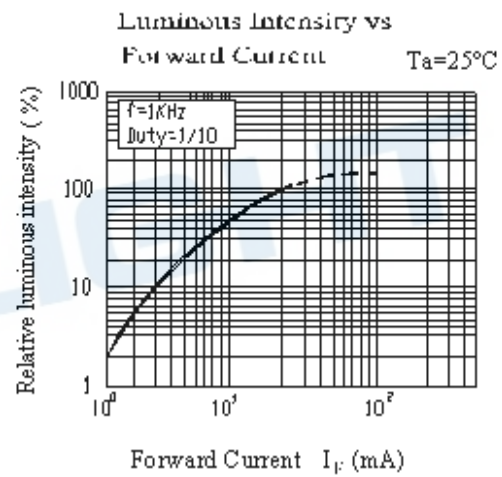
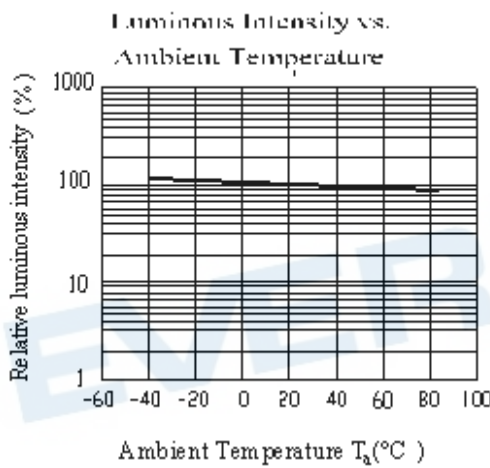
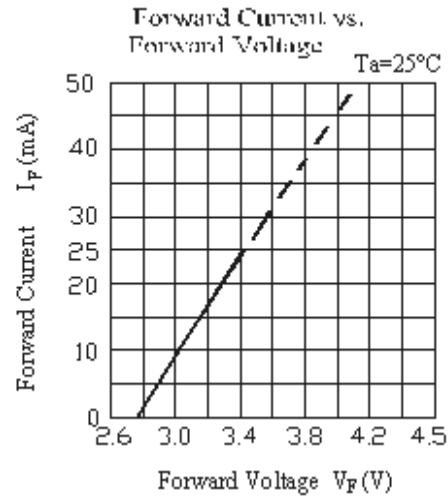
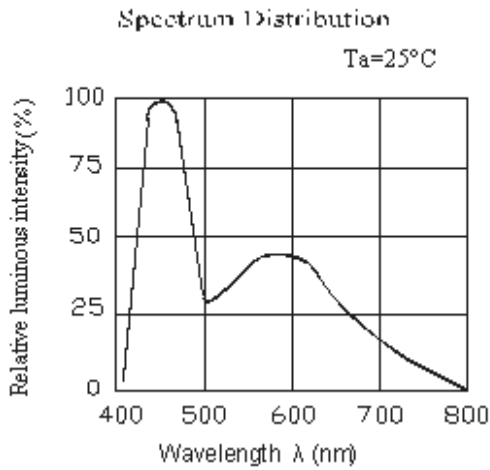
Notes:

- 1.The C.I.E. 1931 chromaticity diagram (Tolerance ±0.01) .**
- 2.The products are sensitive to static electricity and care must be fully taken when handling products.**

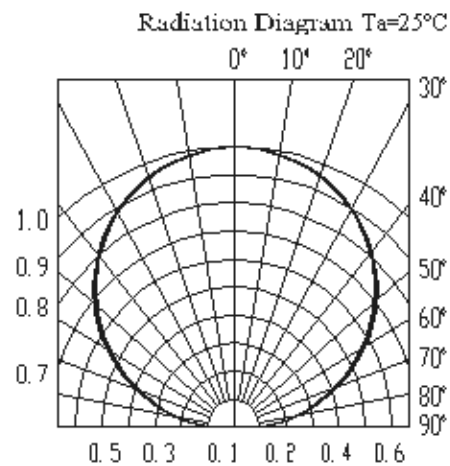
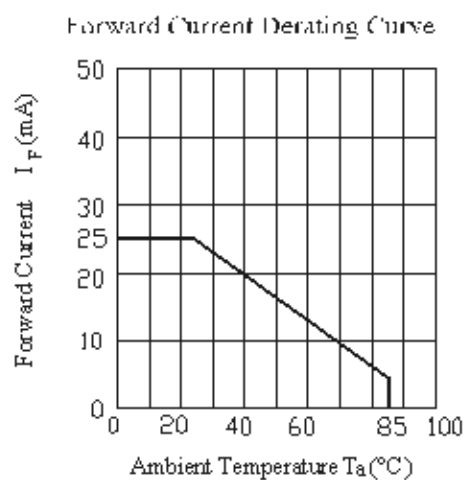
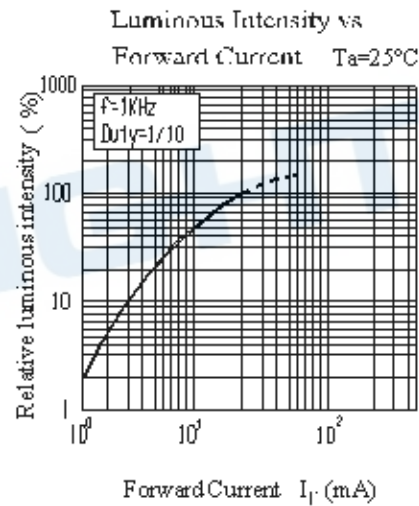
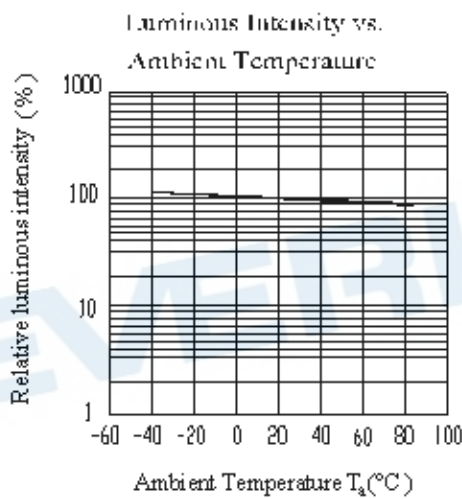
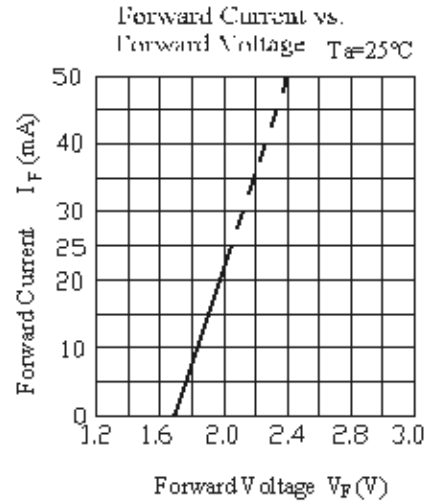
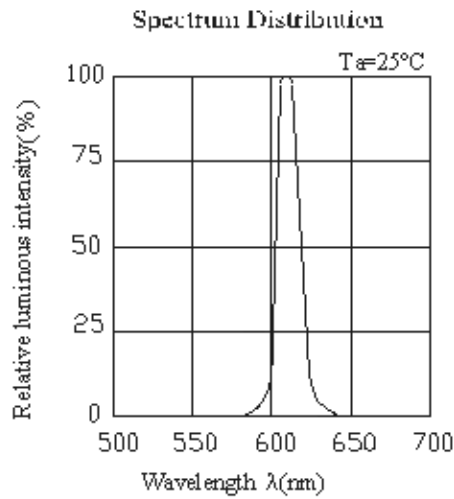
CIE Chromaticity Diagram



Typical Electro-Optical Characteristics Curves
T3



Typical Electro-Optical Characteristics Curves
S2

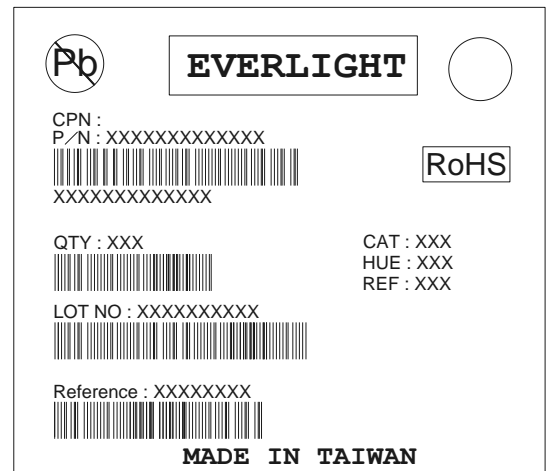


Label explanation

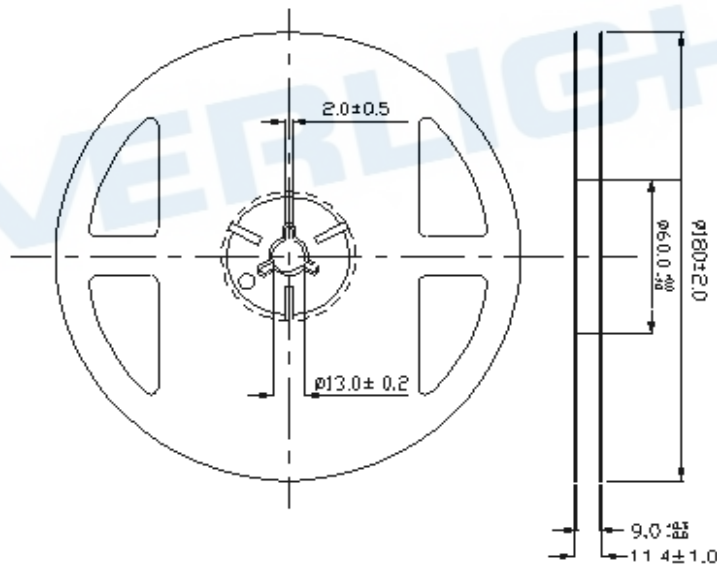
CAT: Luminous Intensity Rank

HUE: Chromaticity Coordinates

REF: Forward Voltage Rank

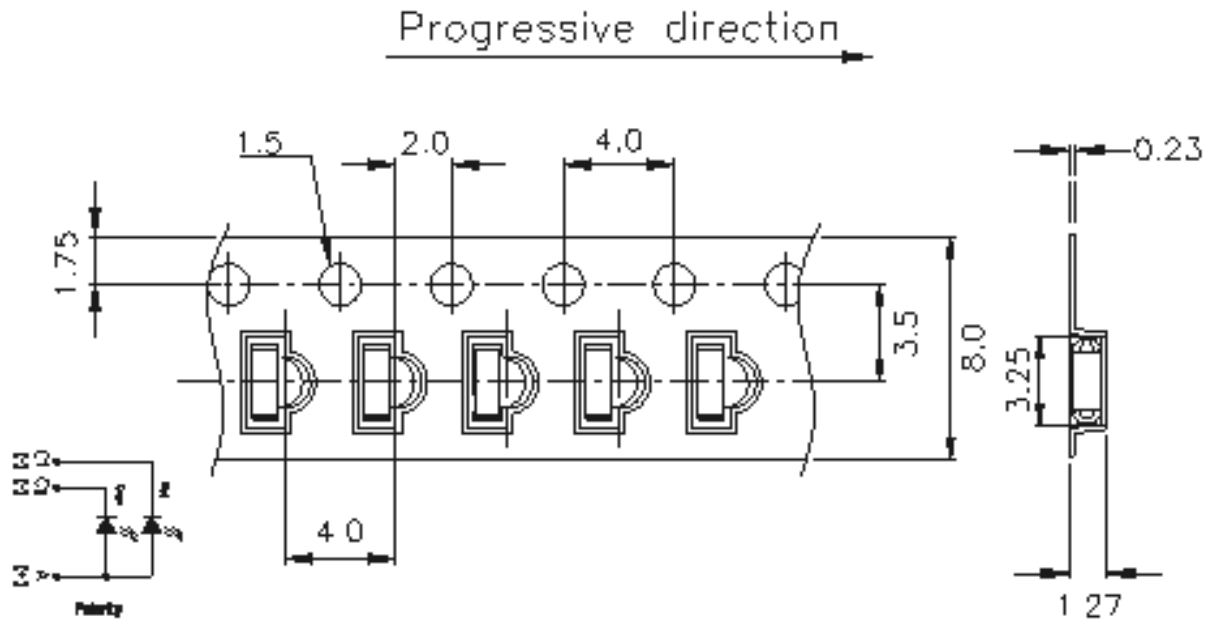


Reel Dimensions



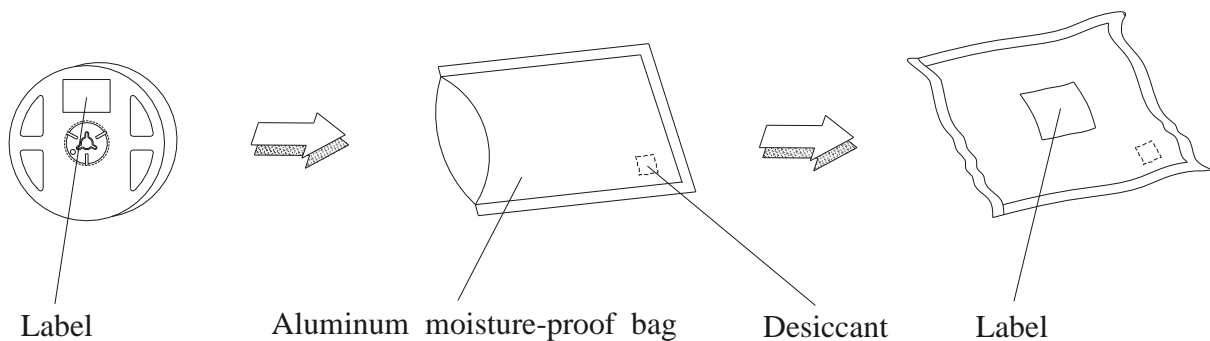
Note: The tolerances unless mentioned is ± 0.1 mm ,Unit = mm

Carrier Tape Dimensions: Loaded quantity 2000 PCS per reel



Note: The tolerances unless mentioned is $\pm 0.1\text{mm}$, Unit = mm

Moisture Resistant Packaging



Reliability Test Items And Conditions

The reliability of products shall be satisfied with items listed below.

Confidence level : 90%

LTPD : 10%

No.	Items	Test Condition	Test Hours/Cycles	Sample Size	Ac/Re
1	Reflow Soldering	Temp. : 260°C±5°C Min. 5sec.	6 Min.	22 PCS.	0/1
2	Temperature Cycle	H : +100°C 15min ∫ 5 min L : -40°C 15min	300 Cycles	22 PCS.	0/1
3	Thermal Shock	H : +100°C 5min ∫ 10 sec L : -10°C 5min	300 Cycles	22 PCS.	0/1
4	High Temperature Storage	Temp. : 100°C	1000 Hrs.	22 PCS.	0/1
5	Low Temperature Storage	Temp. : -40°C	1000 Hrs.	22 PCS.	0/1
6	DC Operating Life	I _F = 20 mA	1000 Hrs.	22 PCS.	0/1
7	High Temperature / High Humidity	85°C / 85%RH	1000 Hrs.	22 PCS.	0/1

Precautions For Use

1. Over-current-proof

Customer must apply resistors for protection, otherwise slight voltage shift will cause big current change (Burn out will happen).

2. Storage

2.1 Do not open moisture proof bag before the products are ready to use.

2.2 Before opening the package: The LEDs should be kept at 30°C or less and 90%RH or less.

2.3 After opening the package: The LED's floor life is 1 year under 30°C or less and 60% RH or less.

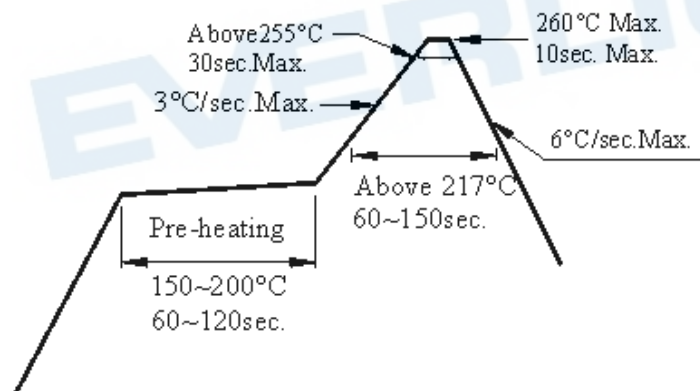
If unused LEDs remain, it should be stored in moisture proof packages.

2.4 If the moisture absorbent material (silica gel) has faded away or the LEDs have exceeded the storage time, baking treatment should be performed using the following conditions.

Baking treatment : 60±5°C for 24 hours.

3. Soldering Condition

3.1 Pb-free solder temperature profile



3.2 Reflow soldering should not be done more than two times.

3.3 When soldering, do not put stress on the LEDs during heating.

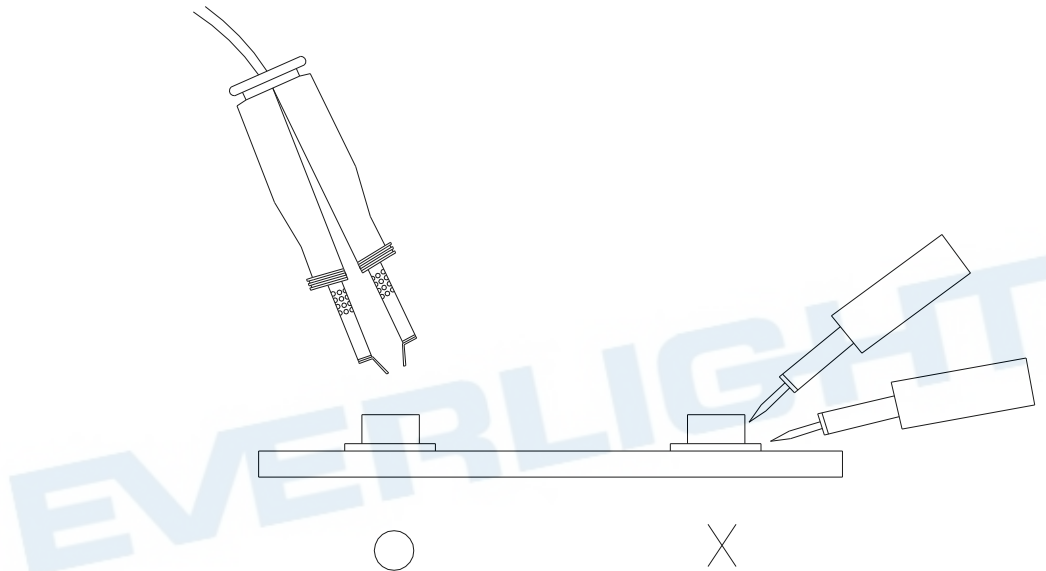
3.4 After soldering, do not warp the circuit board.

4.Soldering Iron

Each terminal is to go to the tip of soldering iron temperature less than 350°C for 3 seconds within once in less than the soldering iron capacity 25W. Leave two seconds and more intervals, and do soldering of each terminal. Be careful because the damage of the product is often started at the time of the hand solder.

5.Repairing

Repair should not be done after the LEDs have been soldered. When repairing is unavoidable, a double-head soldering iron should be used (as below figure). It should be confirmed beforehand whether the characteristics of the LEDs will or will not be damaged by repairing.



EVERLIGHT ELECTRONICS CO., LTD.
Office: No 25, Lane 76, Sec 3, Chung Yang Rd,
Tucheng, Taipei 236, Taiwan, R.O.C

Tel: 886-2-2267-2000, 2267-9936
Fax: 886-2267-6244, 2267-6189, 2267-6306
<http://www.everlight.com>