

PS1060L

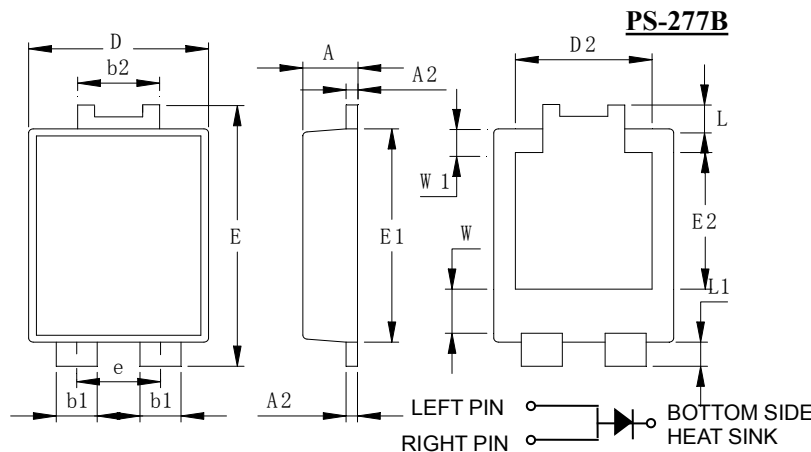
10.0AMPS. SCHOTTKY BARRIER RECTIFIERS

FEATURE

- . For surface mounted application
- . High current capability
- . Low forward voltage drop
- . Low power loss, high efficiency
- . High surge current capability
- . High temperature soldering guaranteed:
260°C/10 seconds at terminals.

MECHANICAL DATA

- . Terminal: Solder plated
- . Case: Molded with UL-94 Class V-0 recognized
Flame Retardant Epoxy



NO	Dimensions	NO	Dimensions
A	1.20±0.1	e	1.84Typ
A2	0.25±0.05	E1	5.3±0.1
b1	0.9±0.1	E2	3.3±0.2
b2	1.8±0.1	L	0.6±0.1
D	3.95±0.1	L1	0.6±0.1
D2	3.00Typ	W	1.3±0.2
E	6.5±0.1	W1	0.8±0.15

All Dimensions in mm

MAXIMUM RATINGS AND ELECTRICAL CHARACTERISTICS

Ratings at 25°C ambient temperature unless otherwise specified.

Single phase, half wave, 60Hz, resistive or inductive load. For capacitive load, derate current by 20%

Type Number	SYM BOL	PS1060L	units	
Maximum Recurrent Peak Reverse Voltage	V_{RRM}	60	V	
Maximum RMS Voltage	V_{RMS}	42	V	
Maximum DC blocking Voltage	V_{DC}	60	V	
Average Forward Rectified Output Current	$I_{F(AV)}$	10.0	A	
Peak Forward Surge Current 8.3ms single half sine-wave superimposed on rated load (JEDEC method)	I_{FSM}	200.0	A	
Maximum Instantaneous Forward Voltage at 2.0A DC	V_F	@ $T_J=25^\circ\text{C}$ 0.35	V	
Maximum Instantaneous Forward Voltage at 10.0A DC		@ $T_J=100^\circ\text{C}$ 0.30		
Maximum DC Reverse Current at rated DC blocking voltage	I_R	@ $T_J=25^\circ\text{C}$ 0.48		mA
		@ $T_J=100^\circ\text{C}$ 0.43		
Typical Junction Capacitance (Note1)	C_J	600	pF	
Typical Thermal Resistance (Note2)	$R_{(JA)}$	31	°C/W	
	$R_{(JC)}$	18		
Storage Temperature	T_{STG}	-55 to +150	°C	
Operating Junction Temperature	T_J	-55 to +150	°C	

Note: 1. Measured at 1.0 MHz and applied reverse voltage of 4.0Vdc

2. Polyimide PCB, 2oz. Copper. Cathode pad dimensions 18.8mm x 14.4mm. Anode pad dimensions 5.6mm x 14.4mm.

RATING AND CHARACTERISTIC CURVES (PS1060L)

FIG.1-TYPICAL FORWARD CURRENT DERATING CURVE

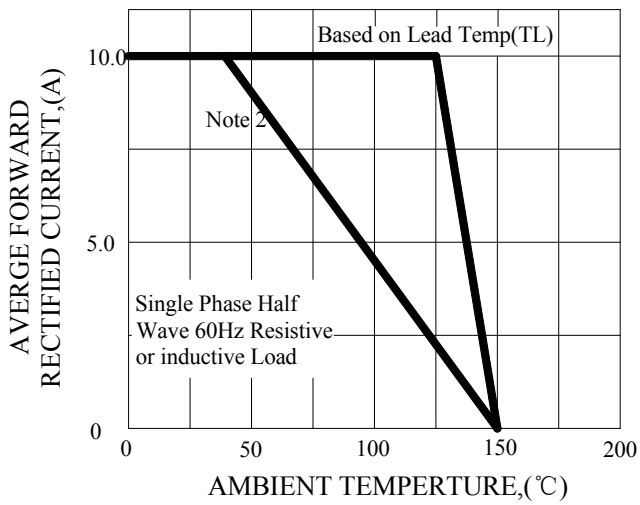


FIG.2-TYPICAL INSTANTANEOUS FORWARD CHARACTERISTICS

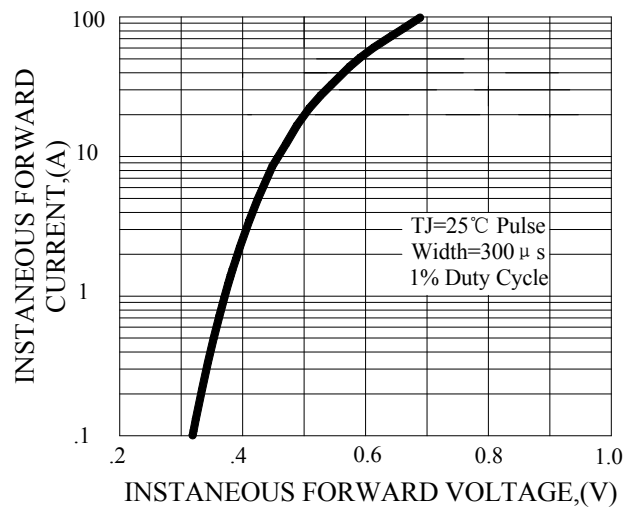


FIG.3-MAXIMUM NON-REPETITIVE FORWARD SURGE CURRENT

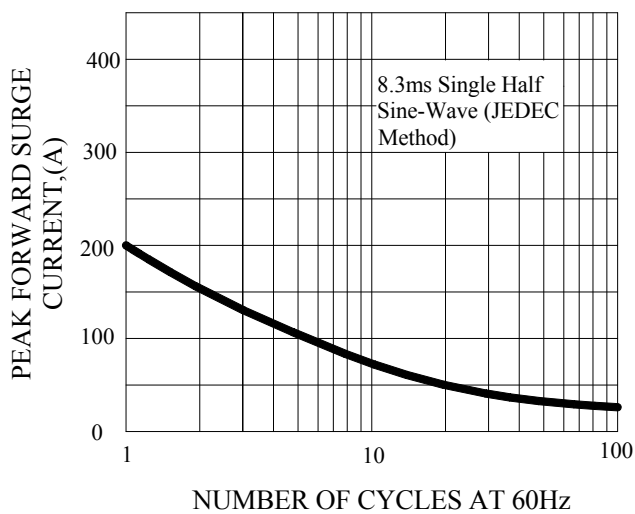
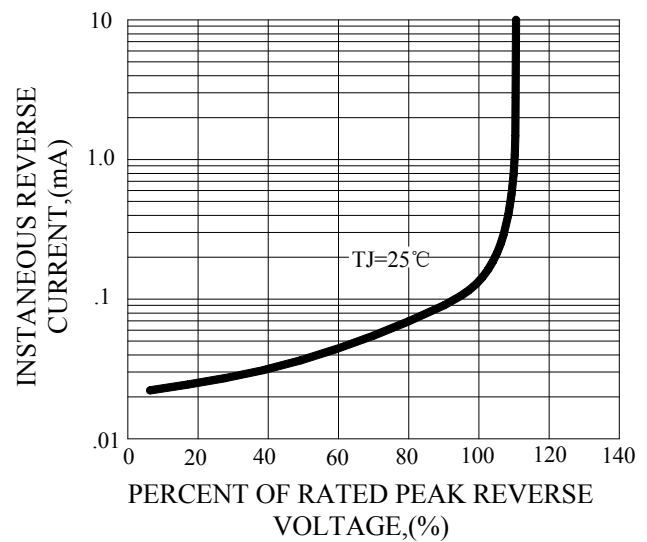
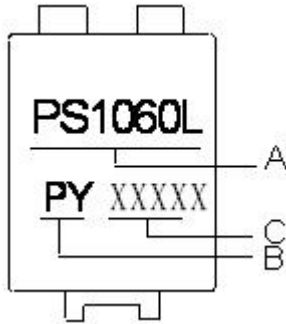


FIG.4-TYPICAL REVERSE CHARACTERISTICS



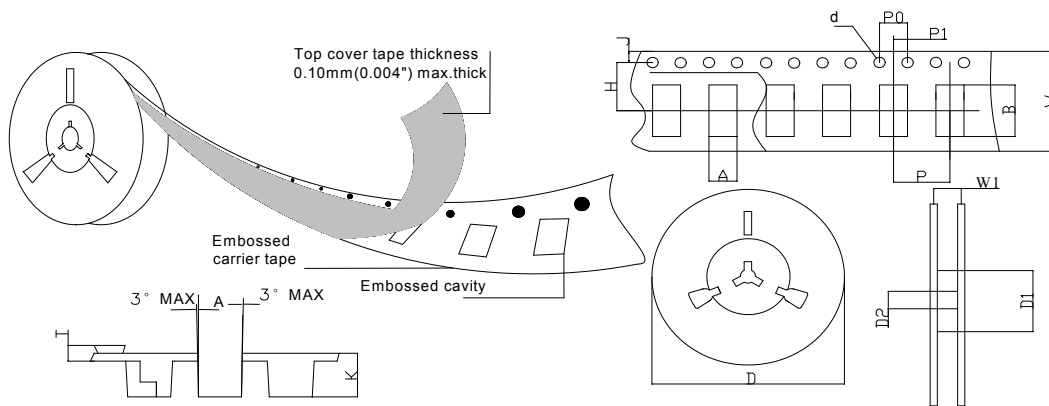
Marking and Packaging illustration

1、Marking



SYMBOL	Explanation
A	Product Name
B	Trademark
C	Date Code

2、Packaging



SPECIFICATIONS mm(inch)		PACKAGE
SYMBOL	ITEM	PS-277B
Carrier width	A	4.45(0.175)Max
Carrier length	B	7.0(0.276)Max
Sprocket hole	d	ø1.55(0.061)Typ
Reel outer diameter	D	330.0(13.0)Typ
Reel inner diameter	D1	74.0(2.913)Min
Feed hole diameter	D2	13.0(0.512)Typ
Sprocket hole position	J	1.75(0.069)Typ
Punch hole position	H	7.50(0.295)Typ
Carrier depth	K	1.60(0.063)Typ
Punch hole pitch	P	8.00(0.315)Typ
Sprocket hole pitch	P0	4.00(0.157)Typ
Embossment center	P1	2.00(0.079)Typ
Overall tape thickness	T	0.25(0.010)Typ
Tape width	W	16.0(0.630)Typ
Reel width	W1	16.5(0.650)Min