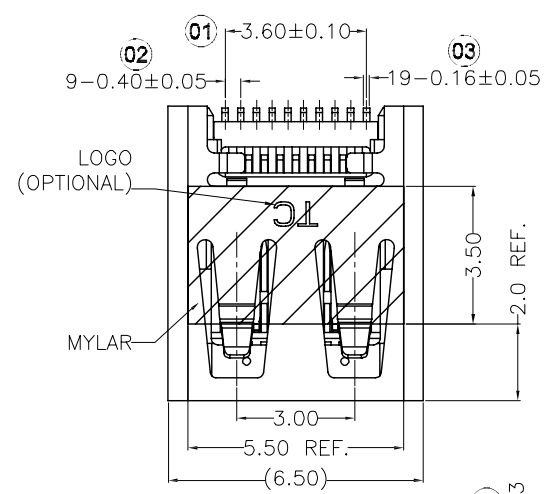


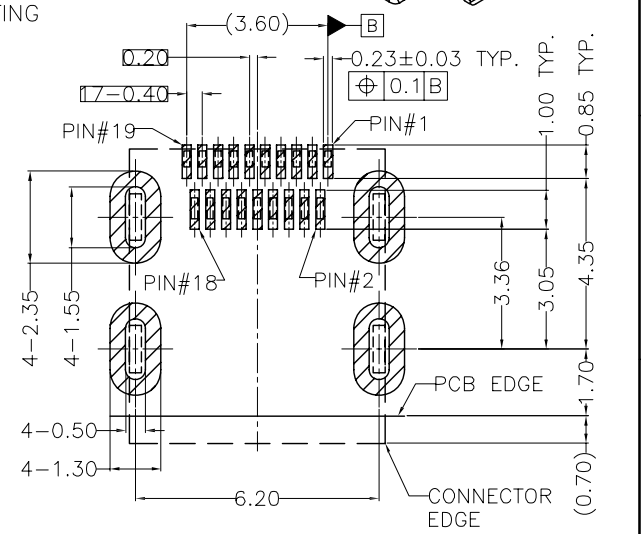
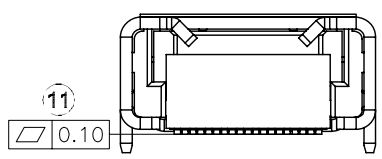
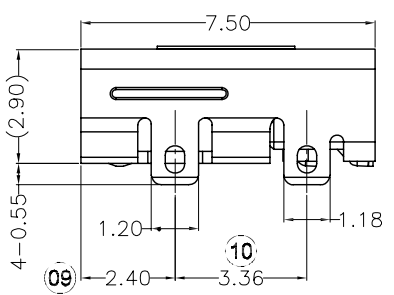
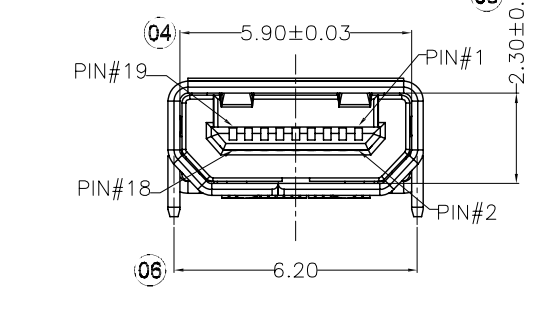
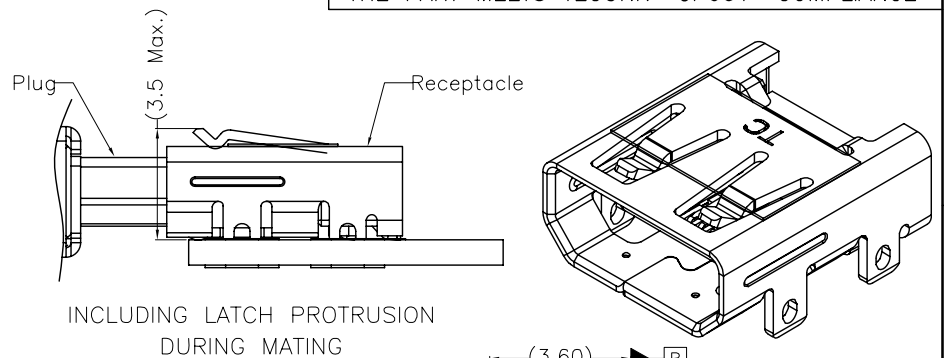
THE PART MEETS TECONN "GP001" COMPLIANCE

A
B
C
D
E
F



PIN SIGNAL ASSIGNMENT		PIN SIGNAL ASSIGNMENT	
1	HOT PLUG DETECT	2	UTILITY
3	TMDS DATA2+	4	TMDS DATA2 SHIELD
5	TMDS DATA2-	6	TMDS DATA1+
7	TMDS DATA1 SHIELD	8	TMDS DATA1-
9	TMDS DATA0+	10	TMDS DATA0 SHIELD
11	TMDS DATA0-	12	TMDS CLOCK+
13	TMDS CLOCK SHIELD	14	TMDS CLOCK-
15	CEC	16	DDC/CEC GROUND
17	SCL	18	SDA
19	+5V Power		


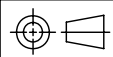
CONNECTION	SIGNALS
FIRST MAKE	CONNECTOR SHELL
SECOND MAKE	PINS 1-18
THIRD MAKE	PIN19(+5V POWER)



RECOMMENDED PCB LAYOUT
CONNECTOR SIDE(.XX±0.05)

- NOTE:
- CONTACT CURRENT RATING: 0.3 AMPERES.
 - VOLTAGE: 40 VAC MAXIMUM.
 - DIELECTRIC WITHSTANDING VOLTAGE:
UNMATED CONNECTORS,APPLY: 250V AC(RMS.)
MATED CONNECTOR,APPLY: 150V AC(RMS.)
 - CONTACT RESESTANCE: 10 MILLIOHMS MAXIMUM.
 - INSULATION RESISTANCE: 100 MEGOHMS MINIMUM.
 - OPERATING TEMPERATURE: -25°C~80°C.
 - INSERTION FORCE: 44.1N MAXIMUM.
 - WITHDRAWAL FORCE: 5~25N. AFTER 5,000 CYCLES MATING 3~25N.
 - PART NO.: A151902-A(B)-XX-R

ITEM	TITLE	MATERIAL	DESCRIPTION	REMARK
1	9PIN TERMINAL	COPPER ALLOY C5210	CONTACT AREA:AU(SEE P/N);	T=0.12
2	10PIN TERMINAL		SOLDER AREA:AU 1U" MIN.	
3	9PIN INSERTMOLD	LCP	UL94V-0	BLACK
4	10PIN INSERTMOLD			
5	SHELL	STAINLESS STEEL SUS304	PLATING:HALF-BRIGHT TIN	T=0.30
6	MYLAR		TRANSLUCENCY	1PC

X. ± 0.35	APPD: Henry Sun	TITLE: HDMI TYPE D RECEPTACLE CONNECTOR	 泰康电子 TECONN
.X ± 0.25	CHKD: XIE MEI	PART NO: 10500019W003	
.XX ± 0.15	DR: XIE MEI	DWG NO: CUSTOMER DRAWING	
.XXX ±			
X' ± 2'			
.X' ± 1.5'			
	UNITS: mm	SCALE: 5:1	SHEET:10F1 REV: B

Terminal Contact Area Plating:
 01: Au 1u" 03: Au 3u"
 A: "TC" LOGO 05: Au 5u" 10: Au 10u"
 B: WITHOUT LOGO 15: Au 15u" 30: Au 30u"

SHELL LOGO TYPE:

REV	ECN NO	DESCRIPTION	DATE
B	TE2012-0351	Updating Drawing	2012/07/31
A	TE2012-0023	New Drawing	2012/02/06