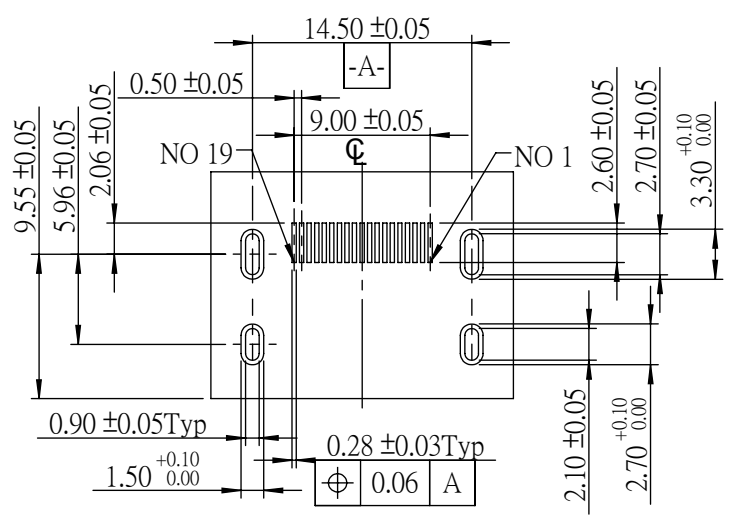
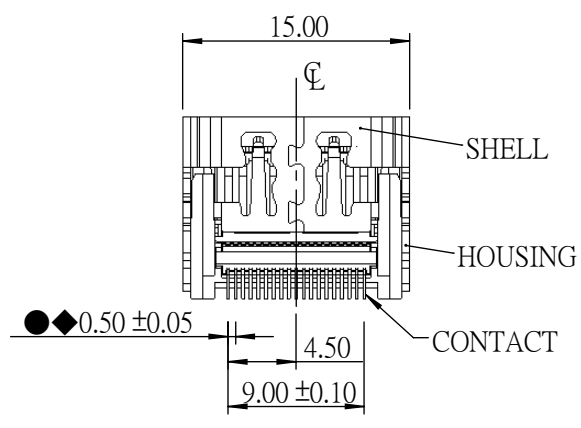
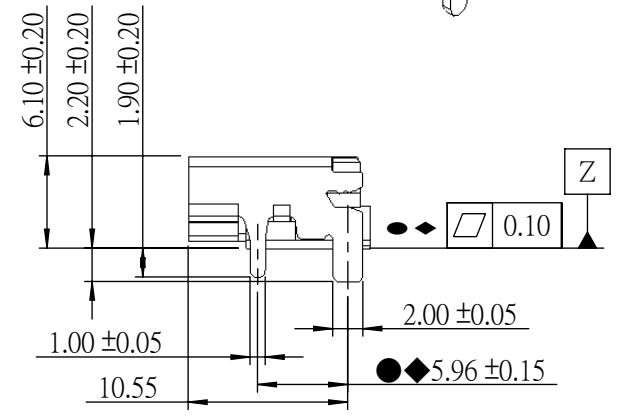
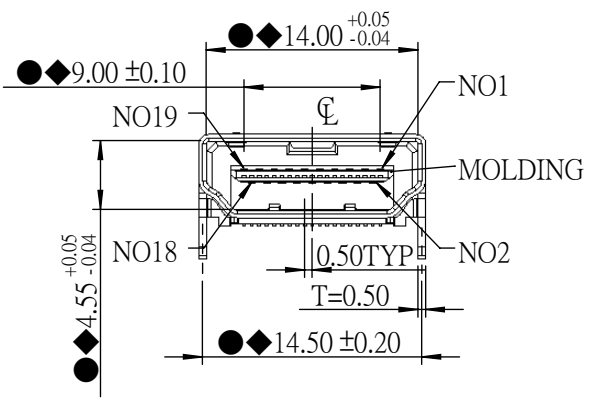
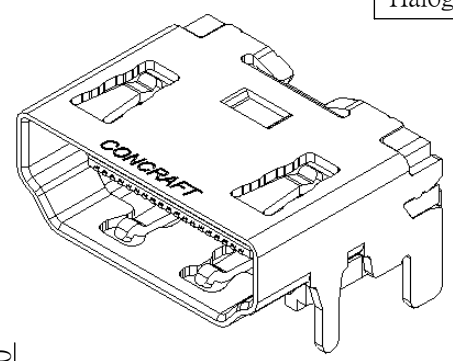
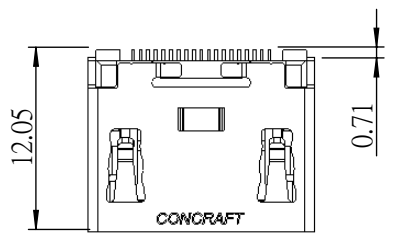


Halogen Free



RECOMMENDED P.C.B LAYOUT

099AAAC19CB □ CNS

- A=3u"Au F=3u"Au 焊脚鍍錫
- B=10u"Au G=10u"Au 焊脚鍍錫
- C=15u"Au H=15u"Au 焊脚鍍錫
- D=30u"Au I=30u"Au 焊脚鍍錫
- E=5u"Au J=5u"Au 焊脚鍍錫
- S=0.8u"Au 焊脚鍍錫

NOTE:

1. SOLDER TALL TO BE WITHIN 0.05 UPWARD AND 0.15 DOWNWARD FROM Z-DATUM PLACE, AND COPLANALTY OF SOLDER TAILS TO BE WITHIN 0.10 MEASUREMENT POINT SOLDER TAILS TIP
2. INSPECTION SYMBOL: ● : MANUFACTURER INSPECTION
◆ : Q.C INSPECTION
3. MATERIAL: HOUSING: THERMOPLASTIC, COLOR: BLACK, UL94V-0
MOLDING: THERMOPLASTIC, COLOR: BLACK, UL94V-0
SHELL: S50C, T=0.50 MM
TERMINAL: COPPER ALLOY, T=0.20 MM
4. FINISH: CONTACTS: GOLD PLATE ON MATING SURFACE, G/F OR TIN PLATE ON SOLDER TALL, ALL OVER NICKEL UNDER PLATE
SHELL: NICKEL PLATING ON ALL SURFACE
5. HSF CONCRAFT LEVEL 1



				GENERAL TOLERANCE		DRAW:	PART NO:
				X. ±0.30	X.° ± 2.00°	CHECKED:	TITLE:
				.X ±0.20	.X° ± 1.00°		HDMI 19PIN SMT
F	E140683A	Anne	12/04/2014	.XX ±0.10	.XX° ± 0.50°	APPROVE:	DRAWING NO:
E	E140538A	Fancy	09/03/2014	.XXX ±0.05			099AAAC19CB □ CNS
REV.	ECO NO.	DRAW	DATE	UNITS: mm	DATE: 12/04/2014		
MATERIAL:		FINISH:	SCALE: 2.5 : 1	SHEET: 1 / 1	REV. F		

