

AH1117

1A Bipolar Linear Regulator

DESCRIPTION

AH1117 is a series of low dropout three-terminal regulators with a typical dropout of 1.3V at 1A load current.

Besides fixed voltage version ($V_{out} = 1.2V, 1.5, 1.8V, 2.5V, 3.3V, 5V$), AH1117 has an adjustable version that can provide an output voltage from 1.25 to 12V with two external resistors.

AH1117 offers thermal shut down functions to assure stability of chip and power system. Trimming technique is used to guarantee output voltage accuracy within $\pm 2\%$.

AH1117 is available in SOT-223, TO-252 power packages.

FEATURES

- Maximum output current is 1A
- Range of operation input voltage: Max 15V
- Line regulation: 0.1%/V (typ.)
- Load regulation: 10mV (typ.)
- Environment Temperature: $-20^{\circ}C \sim 85^{\circ}C$

APPLICATIONS

- DVB
- Computer Mother Board, Graphic Card
- LCD Monitor and LCD TV
- DVD Decode Board
- ADSL Modem
- Post Regulators for Switching Supplies

ORDERING INFORMATION

AH1117 [1] [2] [3] [4] [5]

Code	Description
[1]	Temperature&Rohs: C: $-40 \sim 85^{\circ}C$, Pb Free Rohs Std.
[2]	Package type: L: SOT-223 O: TO-252
[3]	Packing type: TR: Tape&Reel (Standard)
[4]	Output voltage: e.g. 12=1.2V 15=1.5V 18=1.8V 25=2.5V 33=3.3V 50=5.0V AD=Output adjustable
[5]	Voltage accuracy: Blank(default)= $\pm 2\%$

PIN CONFIGURATION

Product Classification		AH1117CLTR [4] [4]
Marking		<p>SOT-223</p> <p>1117 H XX YYZZ</p> <p>1 Vss/ADJ 2 Vout 3 Vin</p>
1117 H XXYYZZ	1117: Product Code	
	B: Fab Code	
	XX: Output Voltage	
	YY: Lot No.	
ZZ: Date Code		
Product Classification		AH1117COTR [4] [4]
1117 H XXYYZZ	1117: Product Code	<p>TO-252</p> <p>1117 H XX YYZZ</p> <p>1 Vss/ADJ 2 Vout 3 Vin</p>
	B: Fab Code	
	XX: Output Voltage	
	YY: Lot No.	
ZZ: Date Code		
Vss/Adj	Ground Pin/Adjustable	
Vin	Supply Voltage Input	
Vout	Output Voltage	

ABSOLUTE MAXIMUM RATING

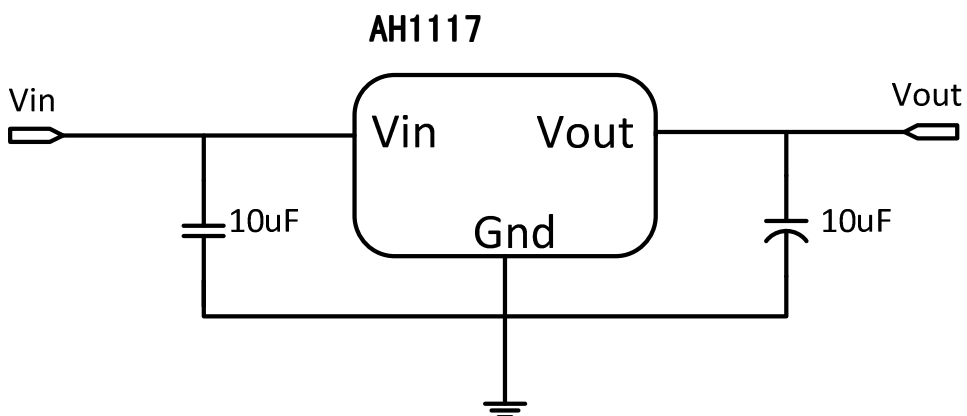
Parameter		Value
Max Input Voltage		15V [Ⓟ]
Max Operating Junction Temperature(Tj)		150°C
Ambient Temperature(Ta)		-40°C – 85°C
Package Thermal Resistance	SOT-223	20°C / W
	TO-252	10°C / W
Storage Temperature(Ts)		-40°C - 150°C
Lead Temperature & Time		260°C, 10S

Note: Exceed these limits to damage to the device. Exposure to absolute maximum rating conditions may affect device reliability.

RECOMMENDED WORK CONDITIONS

Parameter	Value
Input Voltage Range	Max. 12V [Ⓟ]
Operating Junction Temperature(Tj)	-20°C –125°C

TYPICAL APPLICATION



Application circuit of AH1117 fixed version

ELECTRICAL CHARACTERISTICS

T_j=25°C

Symbol	Parameter	Conditions	Min	Typ	Max	Unit
V _{ref}	Reference Voltage	AH1117-ADJ 10mA ≤ I _{out} ≤ 1A, V _{in} = 3.25V	1.225	1.25	1.275	V
V _{out}	Output Voltage	AH1117-1.2V 0 ≤ I _{out} ≤ 1A, V _{in} = 3.2V	1.176	1.2	1.224	V
		AH1117-1.8V 0 ≤ I _{out} ≤ 1A, V _{in} = 3.8V	1.764	1.8	1.836	V
		AH1117-2.5V 0 ≤ I _{out} ≤ 1A, V _{in} = 4.5V	2.45	2.5	2.55	V
		AH1117-3.3V 0 ≤ I _{out} ≤ 1A, V _{in} = 5.3V	3.234	3.3	3.366	V
		AH1117-5.0V 0 ≤ I _{out} ≤ 1A, V _{in} = 7.0V	4.9	5	5.1	V
		AH1117-12.0V 0 ≤ I _{out} ≤ 1A, V _{in} = 14V	11.76	12	12.24	V
ΔV _{out}	Line Regulation	AH1117-1.2V I _{out} = 10mA, 2.7V ≤ V _{in} ≤ 10V		0.1	0.2	%/V
		AH1117-ADJ I _{out} = 10mA, 2.75V ≤ V _{in} ≤ 12V		0.1	0.2	%/V
		AH1117-1.8V I _{out} = 10mA, 3.3V ≤ V _{in} ≤ 12V		0.1	0.2	%/V
		AH1117-2.5V I _{out} = 10mA, 4.0V ≤ V _{in} ≤ 12V		0.1	0.2	%/V
		AH1117-3.3V I _{out} = 10mA, 4.8V ≤ V _{in} ≤ 12V		0.1	0.2	%/V
		AH1117-5.0V I _{out} = 10mA, 6.5V ≤ V _{in} ≤ 12V		0.1	0.2	%/V
		AH1117-12.0V I _{out} = 10mA, 13.5V ≤ V _{in} ≤ 20V		0.1	0.2	%/V
ΔV _{out}	Load Regulation	AH1117-ADJ V _{in} = 2.7V, 10mA ≤ I _{out} ≤ 1A		10	30	mV
		AH1117-ADJ V _{in} = 2.75V, 10mA ≤ I _{out} ≤ 1A		10	30	mV
		AH1117-1.8V V _{in} = 3.3V, 10mA ≤ I _{out} ≤ 1A		10	30	mV
		AH1117-2.5V V _{in} = 4.0V, 10mA ≤ I _{out} ≤ 1A		10	30	mV
		AH1117-3.3V V _{in} = 4.8V, 10mA ≤ I _{out} ≤ 1A		10	30	mV
		AH1117-5.0V V _{in} = 6.5V, 10mA ≤ I _{out} ≤ 1A		10	30	mV
		AH1117-12.0V V _{in} = 13.5V, 10mA ≤ I _{out} ≤ 1A		10	30	mV

ELECTRICAL CHARACTERISTICS continued

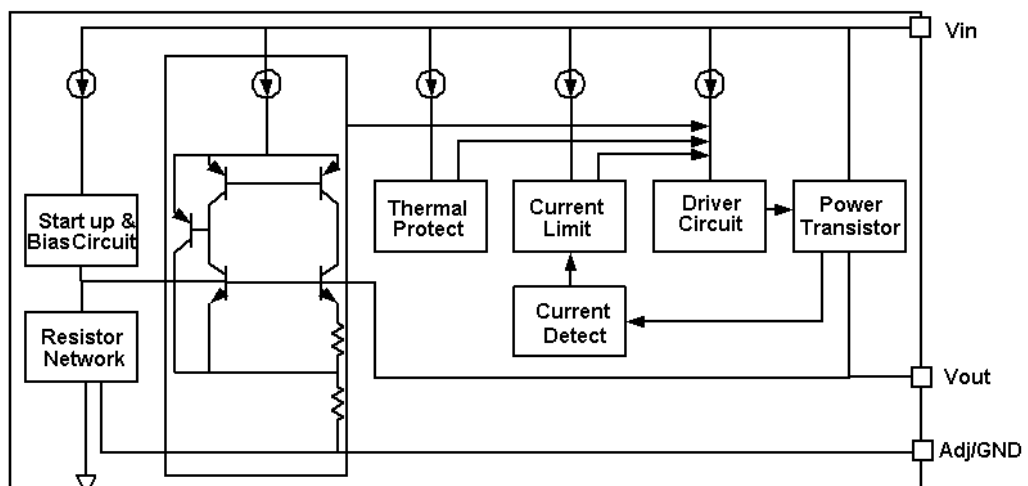
T_j=25°C

Symbol	Parameter	Conditions	Min	Typ	Max	Unit
Vdrop	Dropout Voltage	I _{out} =100mA		1.23	1.3	V
		I _{out} =1A		1.3	1.5	V
I _{limit}	Current Limit	V _{in} -V _{out} =2V, T _j =25°C	1			A
I _{min}	Minimum Load Current	AH1117-ADJ		2	10	mA
I _q	Quiescent Current	AH1117-1.2V, V _{in} =10V		2	3.5	mA
		AH1117-1.8V, V _{in} =12V		2	3.5	mA
		AH1117-2.5V, V _{in} =12V		2	3.5	mA
		AH1117-3.3V, V _{in} =12V		2	3.5	mA
		AH1117-5.0V, V _{in} =12V		2	3.5	mA
		AH1117-12.0V, V _{in} =20V		2	3.5	mA
I _{Adj}	Adjust Pin Current	AH1117-ADJ V _{in} =5V, 10mA ≤ I _{out} ≤ 1A		55	120	uA
I _{change}	I _{adj} change	AH1117-ADJ V _{in} =5V, 10mA ≤ I _{out} ≤ 1A		0.2	10	uA
ΔV/ΔT	Temperature coefficient			±100		ppm
θ _{JC}	Thermal Resistance	SOT-223		20		°C/W
		TO-252		10		

Note1: All test are conducted under ambient temperature 25°C and within a short period of time 20ms

Note2: Load current smaller than minimum load current of AH1117-ADJ will lead to unstable or oscillation output.

BLOCK DIAGRAM



DETAILED DESCRIPTION

AH1117 is a series of low dropout voltage, three terminal regulators. Its application circuit is very simple: the fixed version only needs two capacitors and the adjustable version only needs two resistors and two capacitors to work. It is composed of some modules including start-up circuit, bias circuit, bandgap, thermal shutdown, current limit, power transistors and its driver circuit and so on.

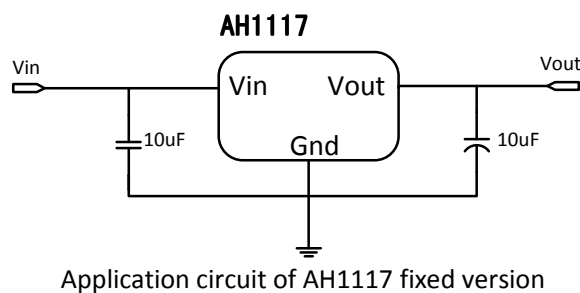
The thermal shut down modules can assure chip and its application system working safety when the junction temperature is larger than 140°C.

The bandgap module provides stable reference voltage, whose temperature coefficient is compensated by careful design considerations. The temperature coefficient is under 100 ppm/°C. And the accuracy of output voltage is guaranteed by trimming technique.

TYPICAL APPLICATION

AH1117 has an adjustable version and six fixed versions (1.2V, 1.5V, 1.8V, 2.5V, 3.3V and 5V)

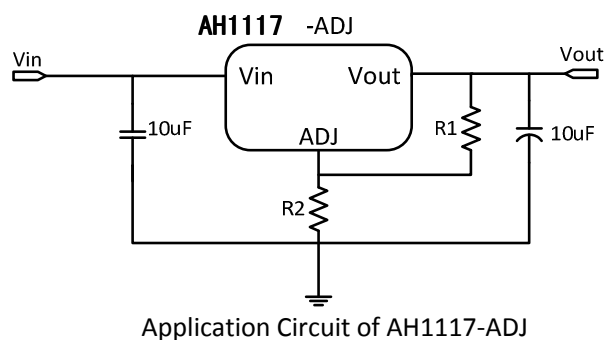
Fixed Output Voltage Version



- 1) Recommend using 10uF tan capacitor as bypass capacitor (C1) for all application circuit.
- 2) Recommend using 10uF tan capacitor to assure circuit stability.

Adjustable Output Voltage Version

AH1117-ADJ provides a 1.25V reference voltage. Any output voltage between 1.25V~12V can be achieved by choosing two external resistors (schematic is shown below), R1 and R2



The output voltage of adjustable version follows the equation: $V_{out} = 1.25 \times (1 + R2/R1) + I_{Adj} \times R2$. We can ignore I_{Adj} because I_{Adj} (about 50uA) is much less than the current of R1 (about 2~10mA).

- 1) To meet the minimum load current (>10mA) requirement, R1 is recommended to be 125ohm or lower. As AH1117-ADJ can keep itself stable at load current about 2mA, R1 is not allowed to be higher than 625ohm.
- 2) Using a bypass capacitor (C_{ADJ}) between the ADJ pin and ground can improve ripple rejection. This bypass capacitor prevents ripple from being amplified as the output voltage is increased. The impedance of C_{ADJ} should be less than R1 to prevent ripple from being amplified. As R1 is normally in the range of $100\Omega \sim 500\Omega$, the value of C_{ADJ} should satisfy this equation: $1/(2\pi \times f_{ripple} \times C_{ADJ}) < R1$.

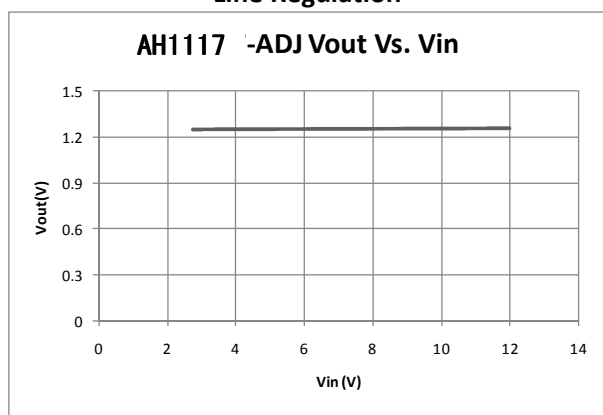
THERMAL CONSIDERATIONS

We have to take heat dissipation into great consideration when output current or differential voltage of input and output voltage is large. Because in such cases, the power dissipation consumed by AH1117 is very large. AH1117 series uses SOT-223 package type and its thermal resistance is about $20^{\circ}\text{C}/\text{W}$. And the copper area of application board can affect the total thermal resistance. If copper area is $5\text{cm} \times 5\text{cm}$ (two sides), the resistance is about $30^{\circ}\text{C}/\text{W}$. So the total thermal resistance is about $20^{\circ}\text{C}/\text{W} + 30^{\circ}\text{C}/\text{W}$. We can decrease total thermal resistance by increasing copper area in application board. When there is no good heat dissipation copper are in PCB, the total thermal resistance will be as high as $120^{\circ}\text{C}/\text{W}$, then the power dissipation of AH1117 could allow on itself is less than 1W. And furthermore, AH1117 will work at junction temperature higher than 125°C under such condition and no lifetime is guaranteed.

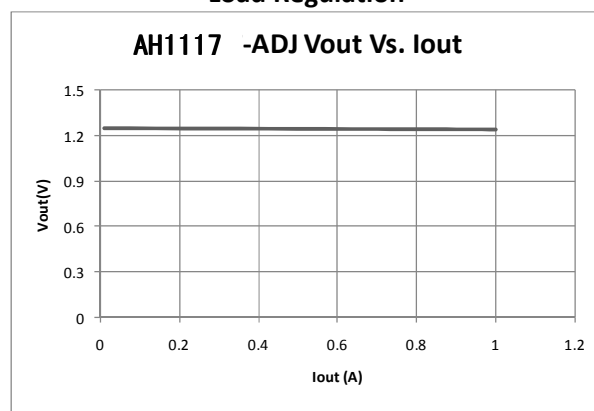
TYPICAL PERFORMANCE CHARACTERISTICS

$T=25^{\circ}\text{C}$ unless specified.

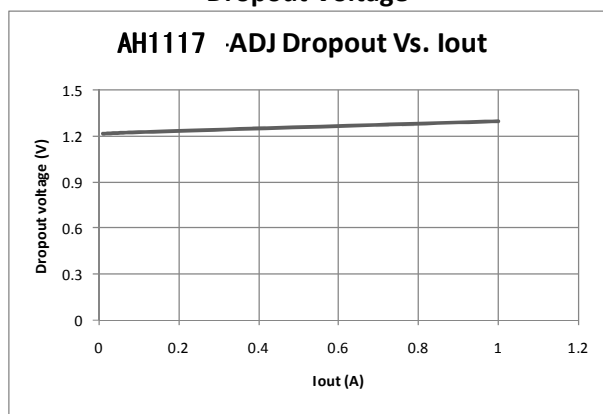
Line Regulation



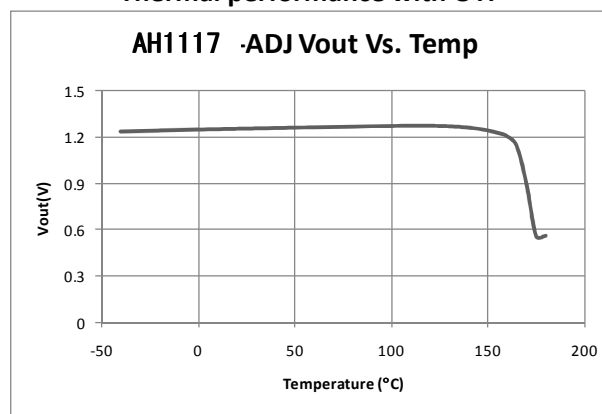
Load Regulation



Dropout Voltage



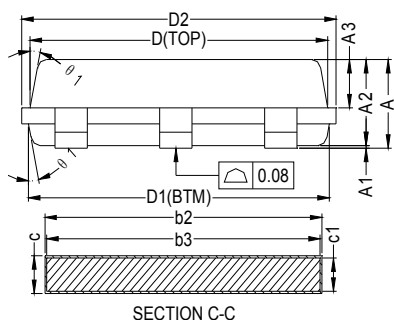
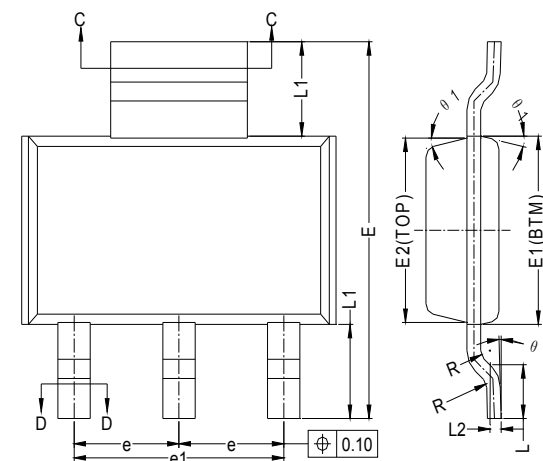
Thermal performance with OTP



PACKAGE OUTLINE

Package	SOT-223	Devices per reel	2500	Unit	mm
---------	---------	------------------	------	------	----

Package specification:



COMMON DIMENSIONS
(UNITS OF MEASURE=MILLIMETER)

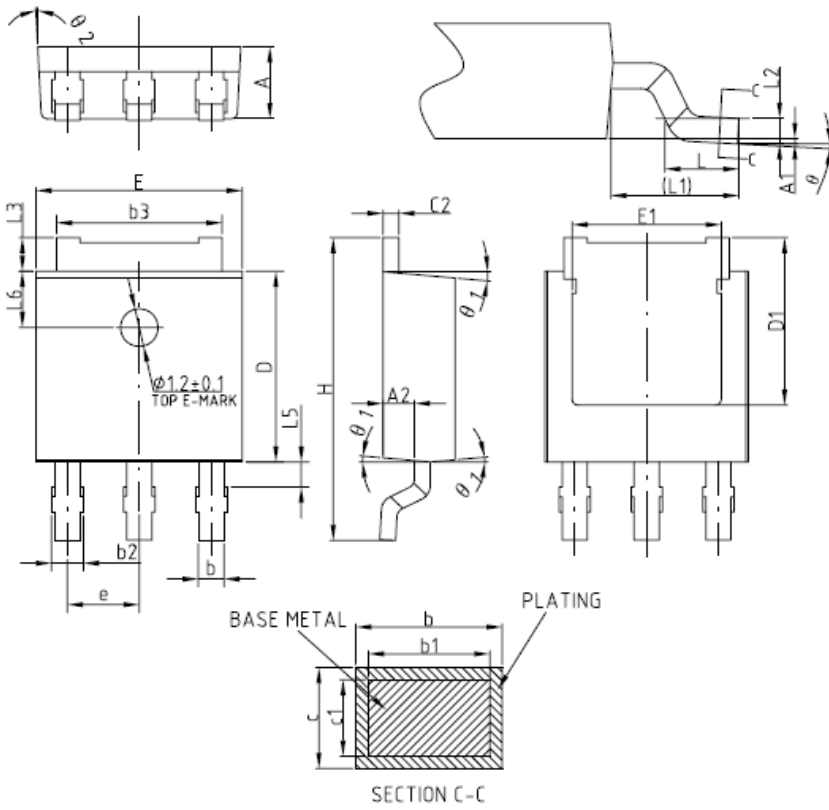
SYMBOL	MIN	NOM	MAX
A	-	-	1.80
A1	0.02	-	0.10
A2	1.50	1.60	1.70
A3	0.80	0.90	1.00
b	0.67	-	0.80
b1	0.66	0.71	0.76
b2	2.96	-	3.09
b3	2.95	3.00	3.05
c	0.30	-	0.35
c1	0.29	0.30	0.31
D	6.48	6.53	6.58
D1	6.55	6.60	6.65
D2	-	-	7.05
E	6.80	-	7.20
E1	3.40	3.50	3.60
E2	3.33	3.43	3.53
e	2.30BSC		
e1	4.60BSC		
L	0.80	1.00	1.20
L1	1.75REF		
L2	0.25BSC		
R	0.10	-	-
R1	0.10	-	-
θ	0°	-	8°
θ 1	10°	12°	14°

NOTES:
ALL DIMENSIONS REFER TO JEDEC STANDARD TO261-AA

AH1117

Package	TO-252	Devices per reel	2500	Unit	mm
---------	--------	------------------	------	------	----

Package specification:



COMMON DIMENSIONS
(UNITS OF MEASURE=MILLIMETER)

SYMBOL	MIN	NOM	MAX
A	2.20	2.30	2.38
A1	0	-	0.10
A2	0.90	1.00	1.10
b	0.77	-	0.89
b1	0.76	0.81	0.86
b2	0.77	-	1.10
b3	5.23	5.33	5.43
c	0.47	-	0.60
c1	0.46	0.51	0.56
c2	0.47	-	0.60
D	6.00	6.10	6.20
D1	5.25	-	-
E	6.50	6.60	6.70
E1	4.70	-	-
e	2.28BSC		
H	9.80	10.10	10.40
L	1.40	1.50	1.70
L1	2.90REF		
L2	0.51BSC		
L3	0.90	-	1.25
L5	0.90	-	1.50
L6	1.80REF		
θ	0°	-	8°
θ_1	3°	5°	7°
θ_2	1°	3°	5°