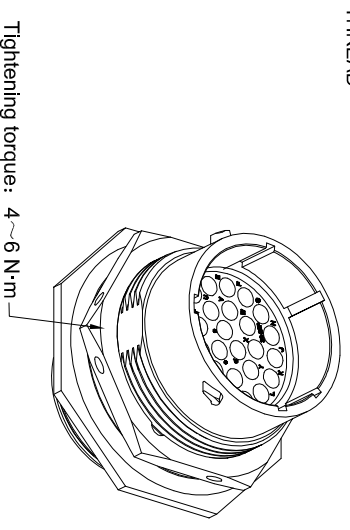
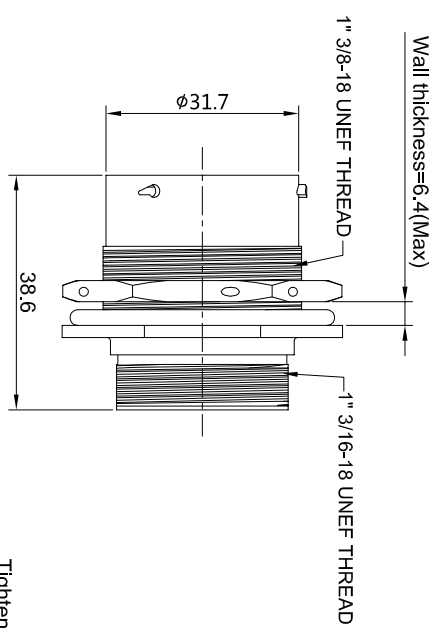
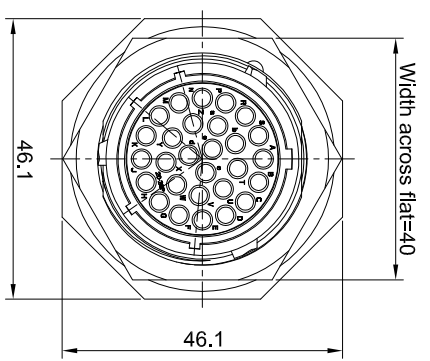
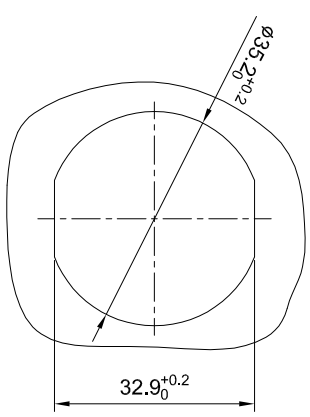


REVISIONS				
REV	ECO	DESCRIPTION	DATE	BY
A1	-	RELEASED DRAWING	Nov-3-2016	Ben
				Tommy



- NOTES : (UNLESS OTHERWISE SPECIFICATION)
1. MATERIAL :
- SHELL : ZINC ALLOY , NICKEL PLATED.
 - INSERT : THERMOPLASTIC , UL94 V-0.
 - NUTS : AL ALLOY NICKEL PLATED.
 - SEAL GASKET : NBR/SILICONE RUBBER
 - O-RING : NBR/SILICONE RUBBER.
2. SPECIFICATIONS :
- 2.1 RATED CURRENT : 13A (MAX.
 - 2.2 RATED VOLTAGE : 300V(AC/DC).
 - 2.3 OPERATING TEMPERATURE : SEE CHART.
 - 2.4 DIELECTRIC WITHSTANDING VOLTAGE : LESS THAN 2 MILLIAMPS CURRENT LEAKAGE@2000 VOLTS AC.
 - 2.5 INSULATION RESISTANCE : 5000 MEGOHMS MIN.
 - 2.6 IP--CLASS : IP67.
 - 2.7 MATING CYCLES DURABILITY : 500 CYCLES MIN.
 - 2.8 ROHS COMPLIANT.
3. SUITABLE CONTACTS : 16# CONTACTS.
4. ALL DIMENSIONS ARE FOR REFERENCE USE ONLY.
5. CONTACT SIZE AND REAR SEAL WIRE RANGE :

CONTACT SIZE	MIN. INSUL O.D.	MAX. INSUL O.D.	WIRE RANGE
16#	φ2.0mm	φ3.2mm	14 - 24AWG



KEY POS	PART NUMBER	
	-40°C ~ 105°C	-40°C ~ 125°C
N	RT072028PN	RT072028PN03
W	RT072028PW	RT072028PW03
X	RT072028PX	RT072028PX03
Y	RT072028PY	RT072028PY03
Z	RT072028PZ	RT072028PZ03

QUANTITY	PART NUMBER	DESCRIPTION	ITEM
MATERIALS LIST			
		Amphenol	
		Sine Systems - www.amphenol-sine.com	
		44724 Moley Drive	
		Clinton Township, MI 48036	
		ECO-MATE RECEPTACLE, JAM NUT,	
		SIZE 20, 28POS, PIN.	

UNLESS OTHERWISE SPECIFIED	SIGNATURES	DATE
1) All dimensions are in millimeters (mm).	DRAWN: Ben	Nov-3-2016
2) Tolerances are as follows:	CHECKED:	
1 PL, DEC: ±0.30	ENGINEER:	
2 PL, DEC: ±0.05	APPROVAL:	
3) Hole reference =	CUSTOMER:	

PROCESS SPECIFICATIONS:

NEXT ASSY:

THIS DRAWING IS SUPPLIED FOR INFORMATION ONLY. DESIGN FEATURES, DIMENSIONS, AND MATERIALS ARE SUBJECT TO CHANGE WITHOUT NOTICE. THE AMPHENOL CORPORATION, NO RIGHTS OR WARRANTIES ARE MADE. DIMENSIONS ARE SUBJECT TO NORMAL MANUFACTURING VARIATIONS.

SCALE: NONE

SIZE: B

TYPE: C-

DWG NO: RT072028P**

SHEET: 1 OF 1

REVISION: A1