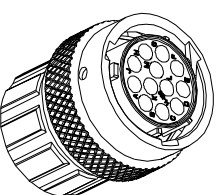
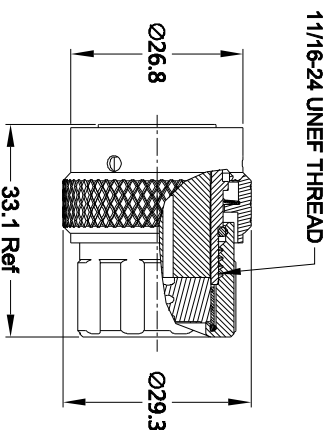
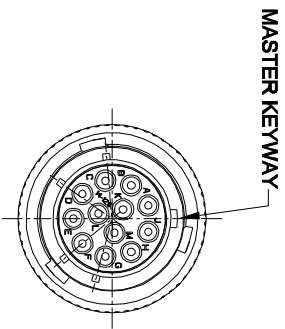


REVISIONS				
REV	ECO	DESCRIPTION	DATE	BY APPR
B1	-	RELEASED DRAWING	Nov-23-2014	Ben Tommy



ECO-MATE PLUG, SIZE 14, 12POS, SOCKET, END CAP.

- NOTES : (UNLESS OTHERWISE SPECIFIED)
- MATERIAL :

SHELL : ZINC ALLOY , NICKEL PLATED.
 INSERT : THERMOPLASTIC , UL94 V-0.
 COUPLING NUT : AL ALLOY, NICKEL PLATED.
 END CAP : THERMOPLASTIC , UL94 V-0.
 PLASTIC BUSHING : THERMOPLASTIC , UL94 V-0.
 O-RING : NBR/SILICONE RUBBER.
 WIRE SEAL : SILICONE RUBBER.

- SPECIFICATIONS :
 - RATED CURRENT : 13A (MAX).
 - RATED VOLTAGE : 300V (AC/DC) .
 - OPERATING TEMPERATURE : SEE CHART.
 - DIELECTRIC WITHSTANDING VOLTAGE : LESS THAN 2 MILLIAMPS CURRENT LEAKAGE@2000 VOLTS AC.
 - INSULATION RESISTANCE : 5000 MEGOHMS MIN.
 - IP--CLASS : IP67.
 - MATING CYCLES DURABILITY : 500 CYCLES MIN.
 - ROHS COMPLIANT.
- SUITABLE CONTACTS : 16# CONTACTS.
- ALL DIMENSIONS ARE FOR REFERENCE USE ONLY.
- CONTACT SIZE AND REAR SEAL WIRE RANGE :

CONTACT SIZE	MIN. INSUL. O.D.	MAX. INSUL. O.D.	WIRE RANGE
16#	Ø2.0mm	Ø3.2mm	14-24AWG

KEY POS	PART NUMBER	TEMPERATURE
N	RT061412SNHEC	-40°C ~ 105°C
W	RT061412SWHEC	-40°C ~ 125°C
X	RT061412SXHEC	
Y	RT061412SYHEC	
Z	RT061412SZHEC	

QUANTITY	PART NUMBER	DESCRIPTION	ITEM
SEE PART NUMBER CHART			

MATERIALS LIST		DRAWN		DATE	
UNLESS OTHERWISE SPECIFIED	SIGNATURES	DATE	DATE	DATE	DATE
1) ALL DIMENSIONS ARE IN MILLIMETERS.	DRW: Ben	10/23/14			
2) Tolerances are as follows:	CHG: Ben				
1 Pl. DEC 20 20	ENGR: Andrew S. Hida				
2 Pl. DEC 20 20	APPROV: [Signature]				
3 Pl. DEC 20 20	CUSTOMER:				
3) Note reference =					

PROCESS SPECIFICATIONS:		THIS DRAWING IS CONTROLLED BY:	
NEXT ASST.		SIZE	TYPE
		B	C-
		SCALE	NONE
		REVISION	B1
		SHEET	1 OF 1

Amphenol
 Sine Systems - www.amphenol-sine.com
 44724 Morley Drive
 Clinton Township, MI 48038

ECO-MATE PLUG,
 SIZE 14, 12POS, SOCKET, END CAP.