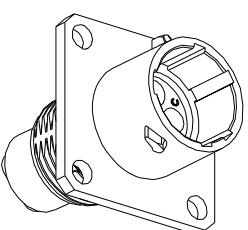
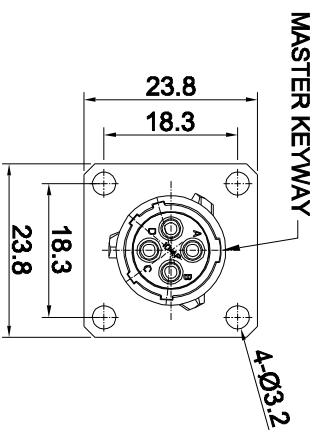
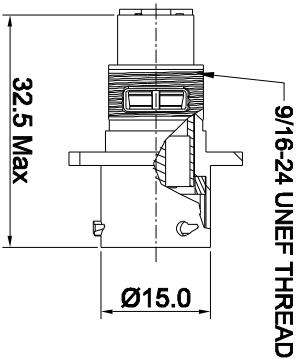
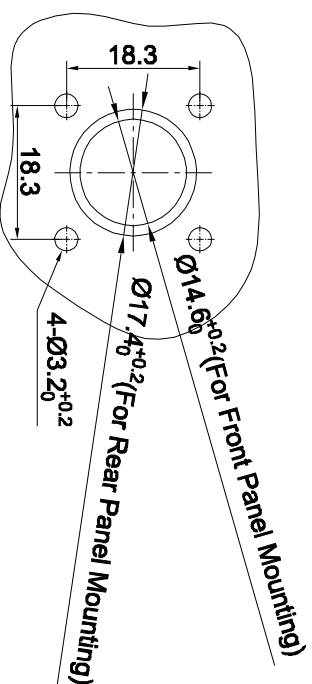


REVISIONS				
REV	ECO	DESCRIPTION	DATE	BY APPR
B1	-	RELEASED DRAWING	JUN-30-2014	BEN TOMMY



- NOTES : (UNLESS OTHERWISE SPECIFIED)
- MATERIAL :
SHELL : ZINC ALLOY , NICKEL PLATED.
INSERT : THERMOPLASTIC , UL94 V-0.
SEAL GASKET : NBR/SILICONE RUBBER.
 - SPECIFICATIONS :
2.1 RATED CURRENT 13A (MAX).
2.2 RATED VOLTAGE 300V (AC/DC).
2.3 OPERATING TEMPERATURE : SEE CHART.
2.4 DIELECTRIC WITHSTANDING VOLTAGE : LESS THAN 2 MILLIAMPS CURRENT LEAKAGE@2000 VOLTS AC.
2.5 INSULATION RESISTANCE : 5000 MEGOHMS MIN.
2.6 IP--CLASS : IP67.
2.7 MATING CYCLES DURABILITY : 500 CYCLES MIN.
2.8 ROHS COMPLIANT.
 - SUITABLE CONTACTS : 16# CONTACTS.
 - ALL DIMENSIONS ARE FOR REFERENCE USE ONLY.



KEY POS	PART NUMBER	
	-40°C ~ 105°C	-40°C ~ 125°C
N	RT00104PN	RT00104PN03
W	RT00104PW	RT00104PW03
X	RT00104PX	RT00104PX03
Y	RT00104PY	RT00104PY03
Z	RT00104PZ	RT00104PZ03

QUANTITY	SEE PART NUMBER CHART	DESCRIPTION	ITEM

MATERIALS LIST

SIGNATURES	DATE	DESCRIPTION
DRAWN: BBI	JUN 2014	
CHECKED:		
ENGINEER:		
APPROVAL:		
CUSTOMER:		

UNLESS OTHERWISE SPECIFIED
 1) ALL DIMENSIONS ARE IN MILLIMETERS.
 2) TOLERANCES ARE AS SHOWN:
 1 PL DEC 20 20
 2 PL DEC 20 20
 3 PL DEC 20 20
 4 PL DEC 20 20
 5) Hole reference =

PROCESS SPECIFICATIONS:	THIS DRAWING IS SUPPLIED FOR:	SIZE	TYPE	DWG NO.	REVISION
NEXT ASST.	SPECIFICATIONS AND PERFORMANCE DATA OF THIS PRODUCT ARE THE PROPERTY OF AMPHENOL. REPRODUCTION OR TRANSMISSION OF THIS INFORMATION IN ANY FORM OR BY ANY MEANS WITHOUT THE WRITTEN PERMISSION OF AMPHENOL IS PROHIBITED. ALL DIMENSIONS ARE IN MILLIMETERS UNLESS OTHERWISE SPECIFIED.	B	C-	RT00104P##	B1
		SCALE: NONE			SHEET 1 OF 1

Amphenol
 Sine Systems - www.amphenol-sine.com
 44724 Morley Drive
 Clinton Township, MI 48038

ECO-MATE RECEPTACLE,
 SIZE 10, 4 POS. PIN.