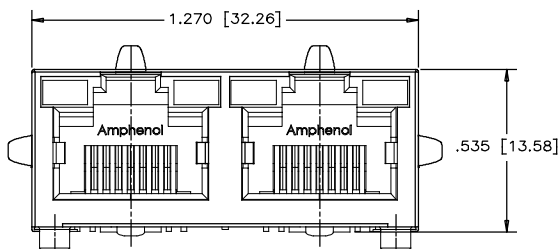
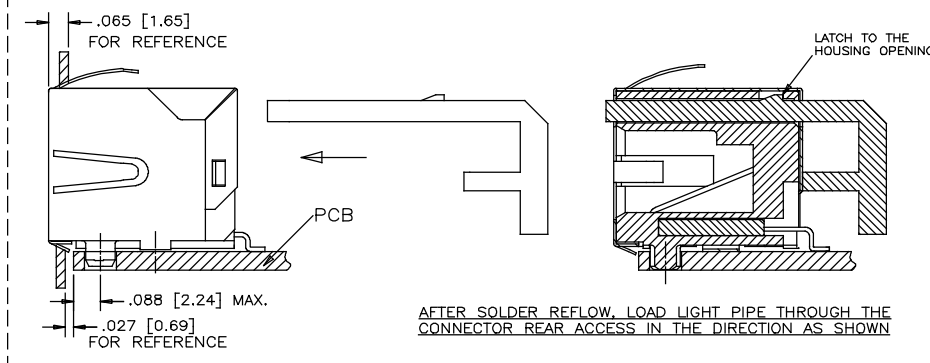


TOP VIEW

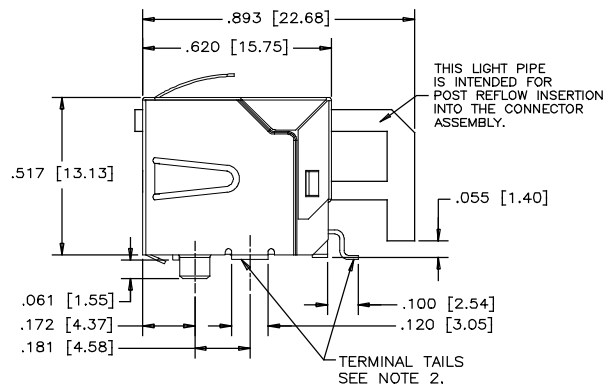


FRONT VIEW

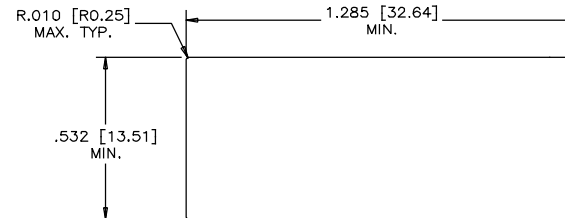


AFTER SOLDER REFLOW, LOAD LIGHT PIPE THROUGH THE CONNECTOR REAR ACCESS IN THE DIRECTION AS SHOWN

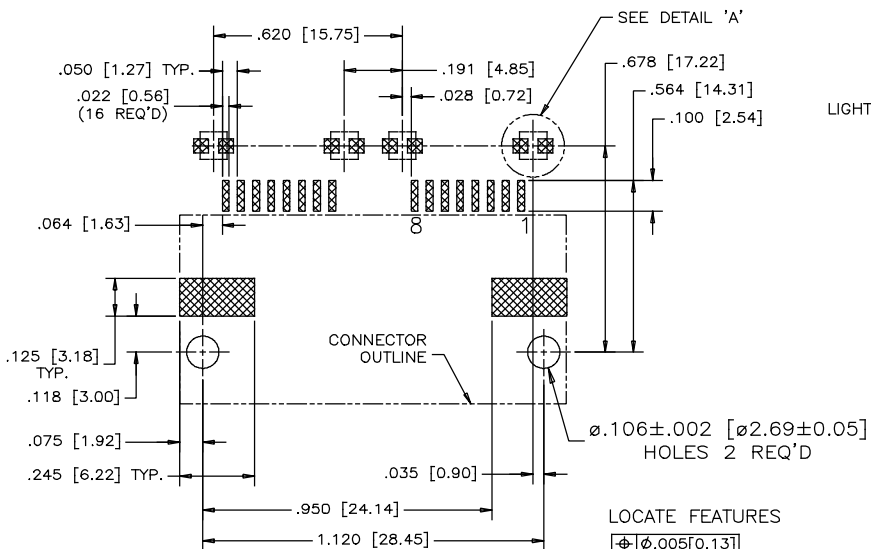
REVISIONS				
REV	DESCRIPTION, ECN, EAR NO.	DATE	APP'D	
D	UPDATED DRAWING	MAR12/15	L.CHAN	
E	FIX ERROR OF PLATING SPEC	AUG12/15	L.CHAN	
F	CORRECT DIMENSION	JAN18/16	L.CHAN	
G	CHANGE DRAWING FORMATE	MAY11/16	L.CHAN	



SIDE VIEW

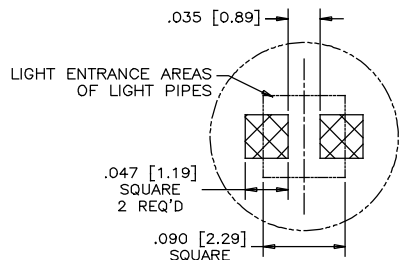


RECOMMENDED PANEL CUTOUT



RECOMMENDED P.C.B. LAYOUT  
(COMPONENT SIDE OF BOARD)

LOCATE FEATURES  
 $\pm \phi .005 [0.13]$   
 POSITION DIMENSIONS  
 ARE BASIC



DETAIL 'A'  
 (ENLARGED)  
 SMT LED SOLDER PAD  
 (SMT LED TO BE PROVIDED  
 BY THE CUSTOMER)

1. MATERIALS:  
 HOUSING: ENGINEERING THERMOPLASTIC FLAMMABILITY RATING UL 94V-0 COLOR: BLACK

CONTACTS: PHOSPHOR BRONZE  
 PLATING: 20 μ" [0.5 MICRONS] MIN. GOLD ON MATING SURFACES. 50 μ" [1.27 MICRONS] MIN. NICKEL UNDERPLATE. 100 μ" [2.54 MICRONS] MIN. MATTE TIN ON CONTACT TAILS.

SHIELD: COPPER ALLOY PLATED TIN ALLOY

LIGHT PIPE: CLEAR POLYCARBONATE RATED UL 94V-0.

2. COPLANARITY SPECIFICATION:  
 WITH THE MODULAR JACK SITTING ON A LEVEL SURFACE, THE MAXIMUM GAP BETWEEN THE LEVEL SURFACE OF SHIELD TAB AND ALL TERMINAL TAILS IS .004 [0.10].

AMPHENOL PART NUMBER: RJSSE-5381-02

UNLESS SPECIFIED OTHERWISE	DRAWN	J.OU	OCT18/07
	CHECKED	MT.CHAN	OCT18/07
PRIMARY UNITS INCH	M.E. APP'D		
SECONDARY UNITS MILLIMETER	Q.A. APP'D		
REFERENCE IN PARENTHESES	DWG APP'D		
1 DECIMAL PLACE	ENG. REL. NO.		
2 DECIMAL PLACE	REF.		
3 DECIMAL PLACE			
ANGULAR DEGREES	THIRD ANGLE PROJECTION	DO NOT SCALE DRAWING	

Amphenol Canada Corp. www.amphenolcanada.com			
2 PORT, SURFACE MOUNT, RJ45 ,MODULAR JACK, 8 POSITION, 8 CONTACTS,SHIELDED, LIGHT PIPES -ROHS COMPLIANT			
DWG NO.	P-RJSSE-5381-02		
REV	G		
CODE ID NO. 03554	DWG SIZE: C	SCALE: N/A	SHEET 1 OF 1