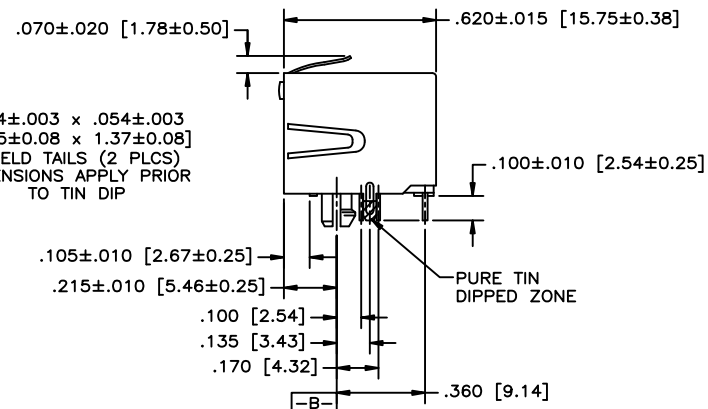


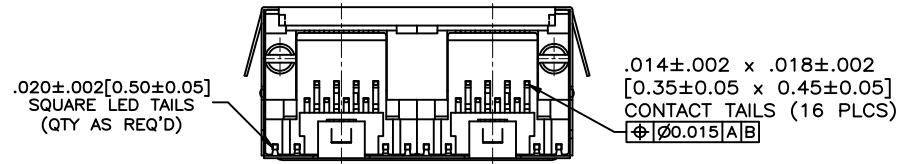
REVISIONS				
SYM	ZONE	ECN, ERN NO.	DATE	APPRD.
E		PRODUCT DRAWING	FEB2/12	K.L.



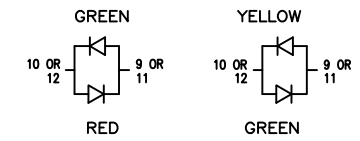
FRONT VIEW



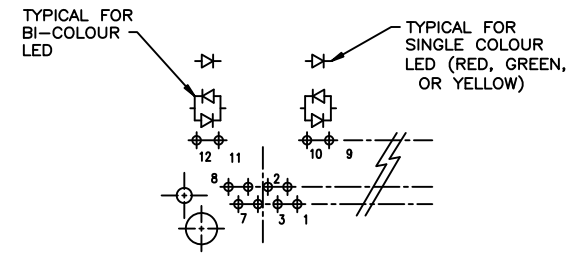
SIDE VIEW



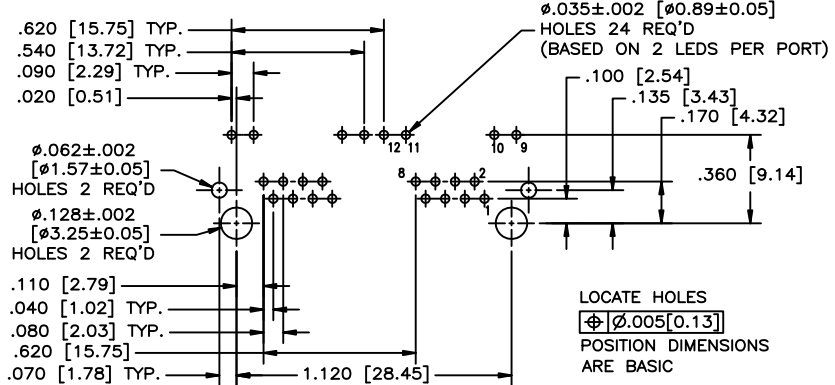
BOTTOM VIEW



BI-COLOUR LED DETAIL  
(RED/YELLOW AND GREEN/ORANGE LED'S ARE ALSO AVAILABLE)



LED SCHEMATIC



RECOMMENDED P.C.B. LAYOUT  
(COMPONENT SIDE OF BOARD)

- MATERIALS:**  
 PLASTIC HOUSING: HIGH TEMPERATURE THERMOPLASTIC  
 FLAMMABILITY RATING UL 94V-0
- CONTACTS:**  
 PHOSPHOR BRONZE  
 PLATING: 50 µ" [1.27 MICRONS]  
 MIN. GOLD ON MATING SURFACES.  
 50 µ" [1.27 MICRONS]  
 MIN. NICKEL UNDERPLATE  
 100 µ" [2.54 MICRONS]  
 MIN. MATTE TIN ON CONTACT TAILS.
- SHIELD:**  
 COPPER ALLOY  
 PLATING: NICKEL WITH PURE-TIN DIPPED PCB TAILS

AMPHENOL PART NUMBER: RJHSE-L38X-02

REFER TO AMPHENOL CATALOGUE FOR LED COLOUR OPTIONS



RECOMMENDED PANEL CUTOUT

THIS DOCUMENT CONTAINS PROPRIETARY INFORMATION AND SUCH INFORMATION MAY NOT BE DISCLOSED TO OTHERS FOR ANY PURPOSE OR USED FOR MANUFACTURING PURPOSES WITHOUT WRITTEN PERMISSION FROM AMPHENOL CANADA CORP.

DRAWN PWANG	DATE 05/12/29
DESIGNED	
CHECKED CHIGOW	05/12/29
I. E. APPRD.	
Q. A. APPRD.	
DWG. APPRD.	
ENG. REL. NO.	
REF.	
DIMENSIONS ARE IN INCHES (mm)	CODE ID. NO. 03554

Amphenol Canada Corp.	
TITLE 2 PORT HIGH SPEED RJ45 MODULAR JACK LOW PROFILE, 8 POSITION, 8 CONTACTS SHIELDED, WITH LEDS, - RoHS COMPLIANT	
DWG. DRAWING NO. P-RJHSE-L38X-02	REV. E
SCALE	WT. _____ SURF. _____ SHEET 1 OF 1