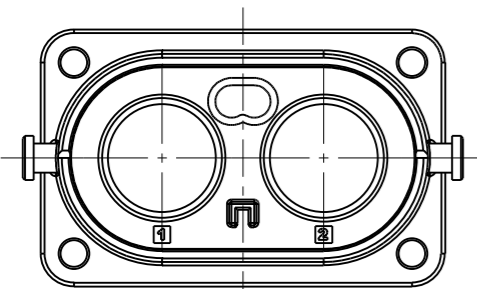
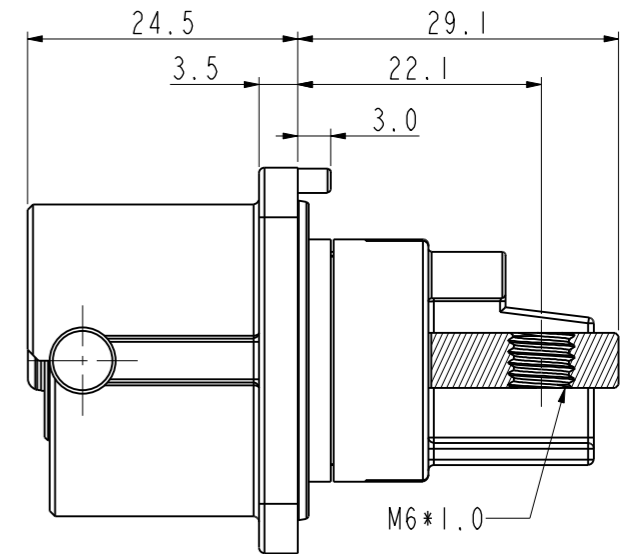
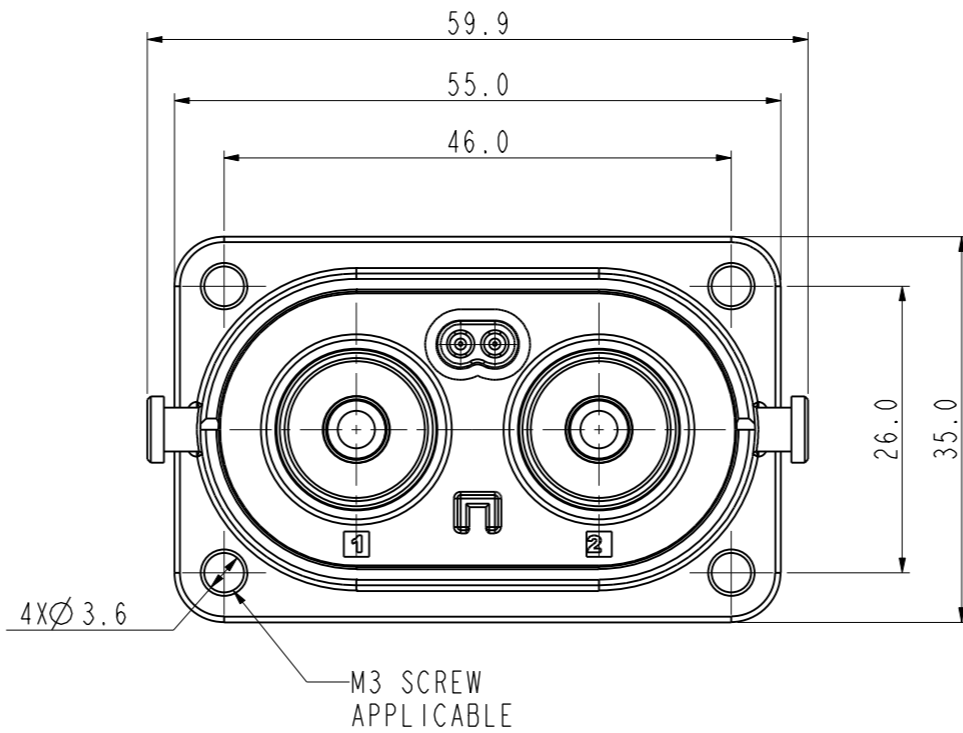


C-HVSL5600022XXXX

Amphenol PCDSZ  
ORIGINAL  
PDF Format  
R&D

REV	ECN	DESCRIPTION	DATE	MODIFIED
C		UPDATE	2018.04.10	ROY.QU

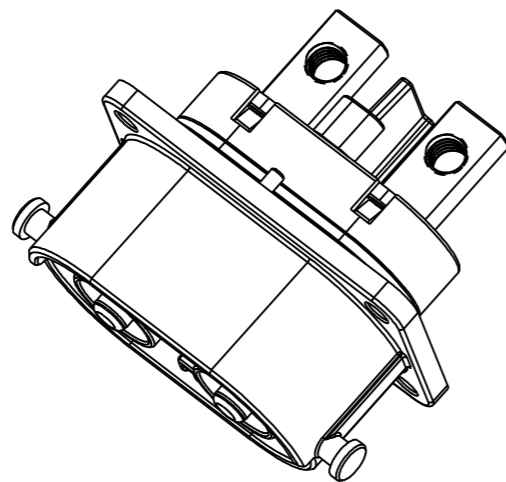


HVSL5 600 02 2 A  
CODING A

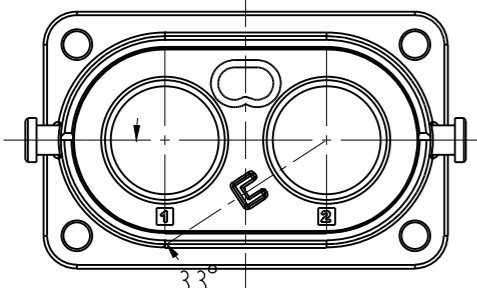
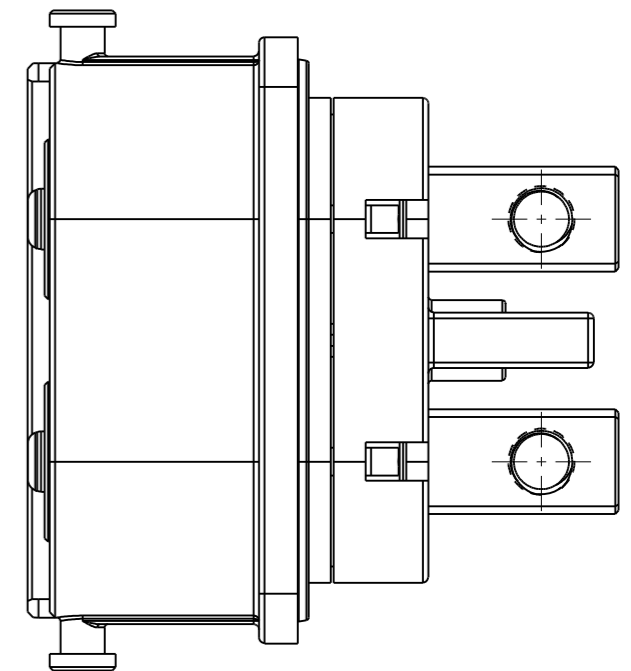
HOW TO ORDER

HVSL5 600 02 2X X XX

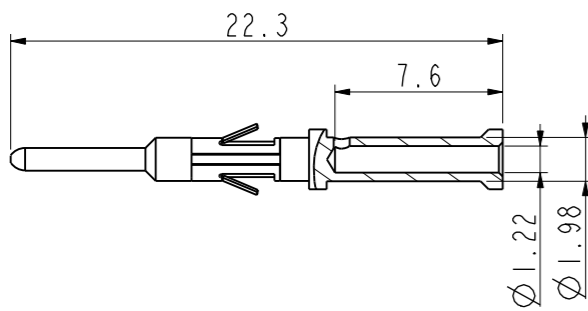
A: CODING A    0: WITHOUT HVIL    H6: STANDARD HOLE M6  
B: CODING B    1: WITH HVIL  
C: CODING C



TECHNICAL DATA		
CURRENT RATE (25MM <sup>2</sup> CABLE)	120A @ AMBIENT 70° C	+
UL RATING VOLTAGE (OVERVOLTAGE CATEGORY II POLLUTION DEGREE 2)	1000V DC	+
OPERATING TEMPERATURE	-40~125° C	
DIELECTRIC WITH STANDING VOLTAGE	3000V AC	+
INSULATION RESISTANCE	2000MΩ MIN. 25° C, NO CABLE	+
DURABILITY	50 CYCLES	○
SHIELDING	YES	○
WATERPROOF (MATED CONDITION)	IP 67, IP6K9K	+
PROTECTION LEVEL	IP2XB	+
AMBIENT TEMPERATURE	-40~70° C	



HVSL5 600 02 2 B  
CODING B

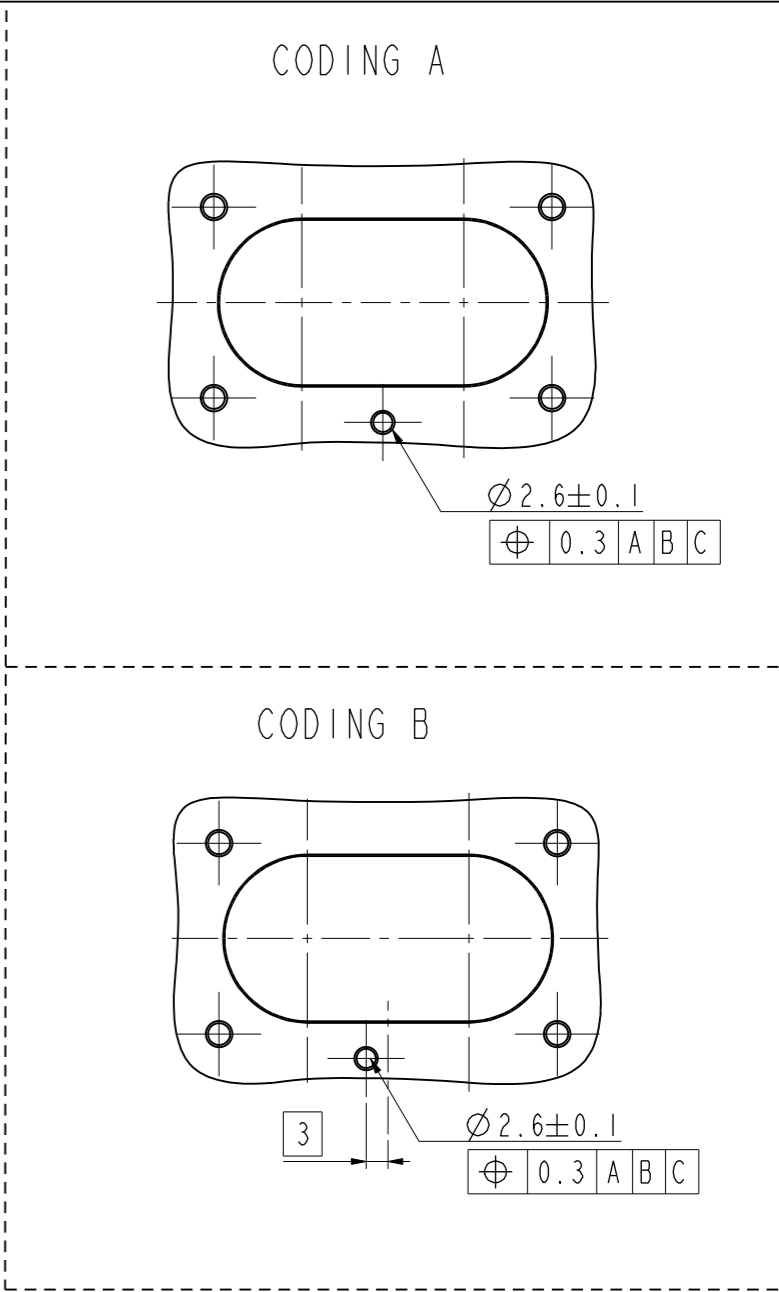
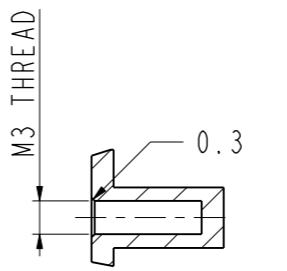
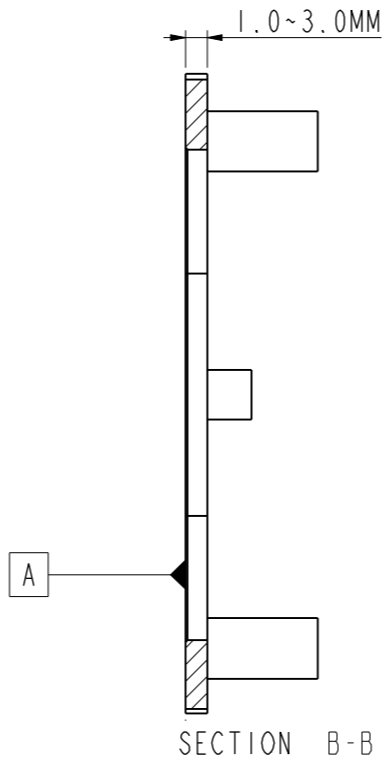
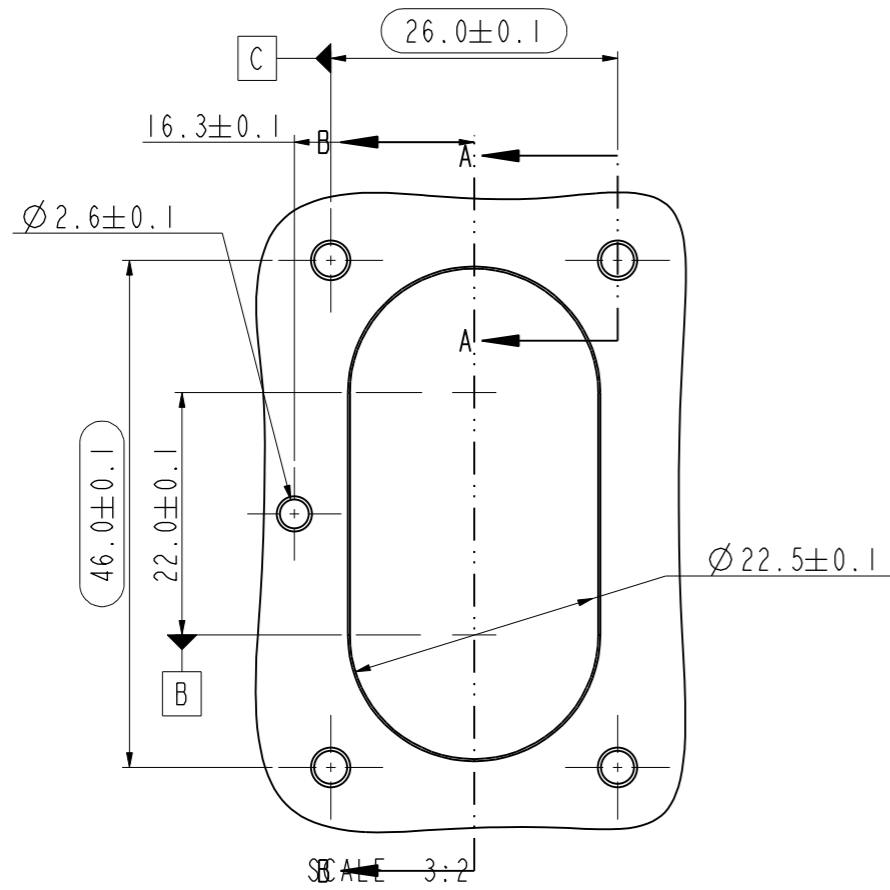


HVIL PIN (2PCS)  
P/N:C420003643

DIMENSIONS	TOLERANCES	PROJECTION	Amphenol Pcd Shenzhen		TITLE		
ANSI Y14.5M UNITS: MM Pro/E FILE	X ±0.3 XX ±0.10 ANGLES ±0.5°		ENGR	ROY.QU	HVSL5 600 02 2X X XX BOX MOUNTING RECEPTACLE ASSEMBLY		
ORIGINAL	THIS DOCUMENT CONTAINS PROPRIETARY INFORMATION WHICH IS THE CONFIDENTIAL PROPERTY OF AMPHENOL PCD SHENZHEN		CHKD	2017.04.10	SIZE	DWG NO.	REV
			APPD	A3	C-HVSL5600022XXXX	C	
		CODE: 58982		SCALE: 1:1	SHEET 1 OF 2		

C-HVSL5600022XXXX

C-HVSL5600022XXXX



C-HVSL5600022XXXX

C-HVSL5600022XXXX

PANEL DRILLING

SIZE <b>A3</b>	DWG NO. C-HVSL5600022XXXX	REV <b>C</b>
CODE: 58982	SCALE: 1:1	SHEET 2 OF 2