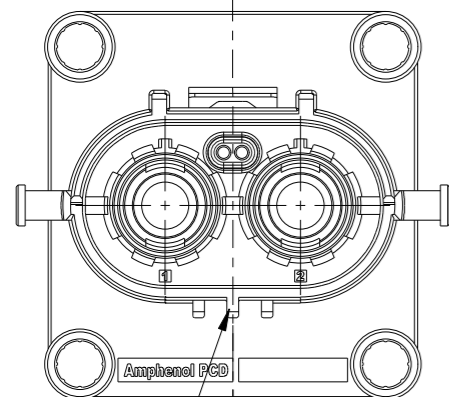


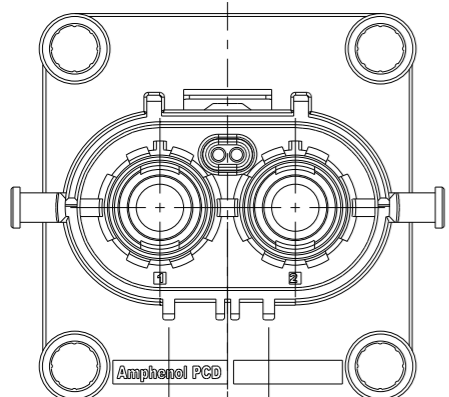
CUSTOMER DRAWING

REV	ECN	DESCRIPTION	DATE	MODIFIED
1		PRE-RELEASE	14/03/17	Robin Yuan
2	R0068	ADD DUST CAP	09/22/17	Celine.xie



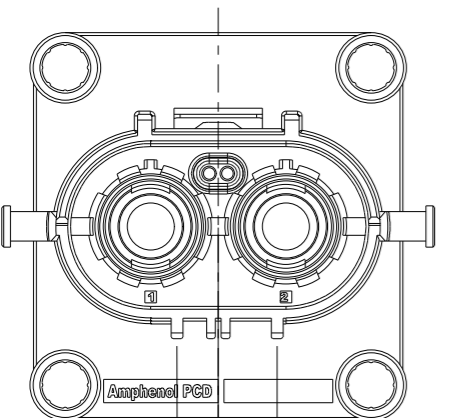
KEY 0

HVSL800022AXXX
CODING A



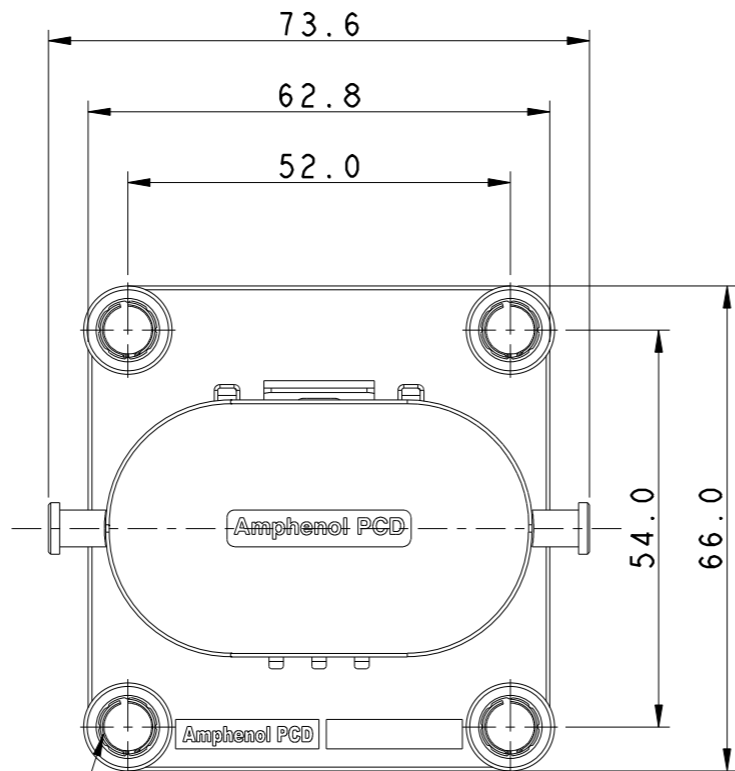
10 7

HVSL800022BXXX
CODING B

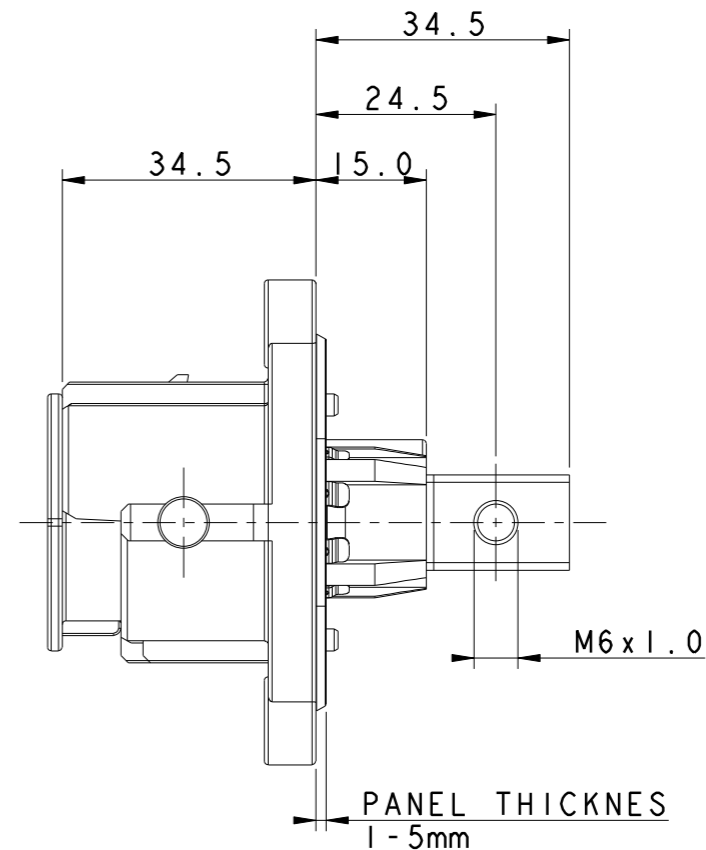


7 10

HVSL800022CXXX
CODING C



M5 SCREW AND WASHER APPLICABLE



NOTES:

- MATERIAL & FINISH:
PLASTIC BODY: THERMOPLASTICS UL 94V-0 ORANGE COLOR
POWER CONTACT: COPPER ALLOY SILVER PLATED
- ELECTRONICAL CHARACTERISTICS:
HIGH VOLTAGE RATED 1000 V DC MAX.
CURRENT RATED 180 A MAX.
WITHSTANDING VOLTAGE 3000 V AC
PRODUCTS ARE COMPLIANCE WITH EN 60664-1 POLLUTION II
- ENVIRONMENT CHARACTERISTICS:
IP67 IP6K9K RATED (WHEN MATING)
IP2XB RATED FOR FINGER TOUCH-PROOF

HOW TO ORDER

HVSL 800 02 2X X H6V

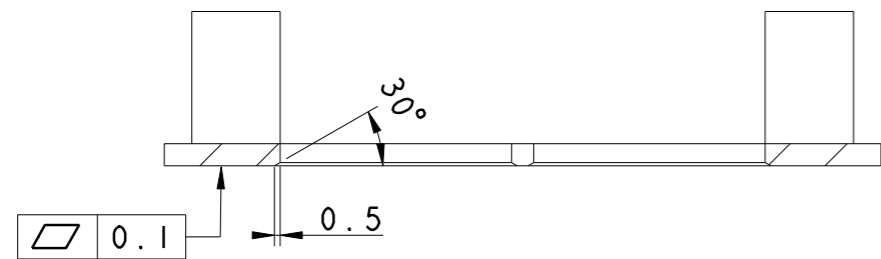
A: CODING A 0: WITHOUT HVIL
B: CODING B 1: WITH HVIL
C: CODING C

DIMENSIONS ANSI Y14.5M UNITS: MM Pro/E FILE	TOLERANCES .X ±0.3 .XX ±0.10 ANGLES ±0.5°	PROJECTION 	Amphenol Pcd Shenzhen		
			ENGR Robin Yuan 14/03/17	TITLE HVSL 800 02 2 X X XX RECEPTACLE ASSEMBLY	
ORIGINAL NOT FOR CUSTOMER DISTRIBUTION	THIS DOCUMENT CONTAINS PROPRIETARY INFORMATION WHICH IS THE CONFIDENTIAL PROPERTY OF AMPHENOL PCD SHENZHEN		CHKD 	SIZE A3	DWG NO. C-HVSL800022XXH6V
			APPD 	REV 2	CODE: 58982

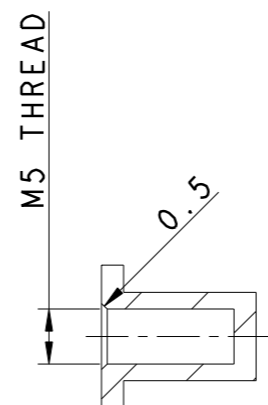
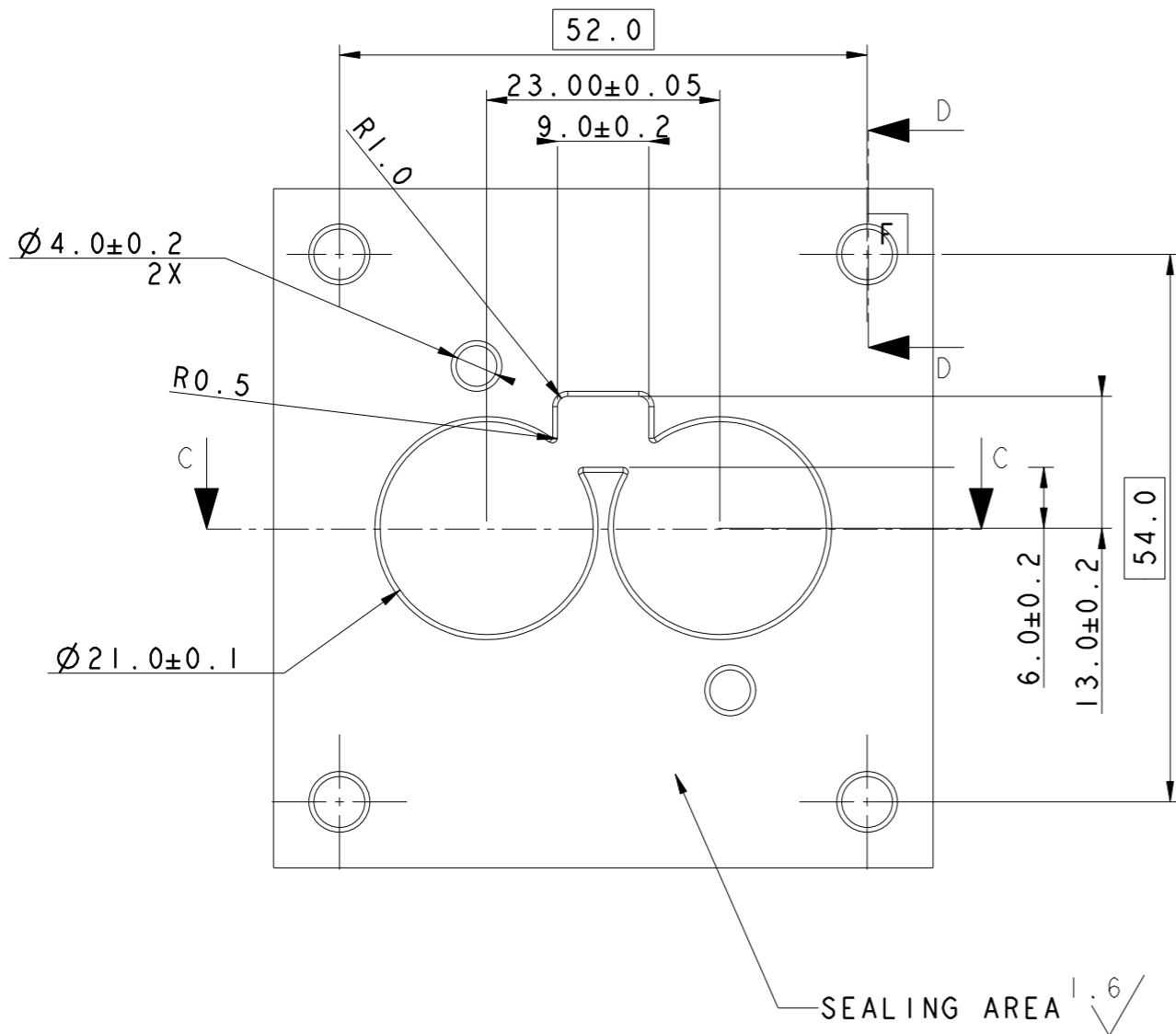
C-HVSL800022XXH6V

C-HVSL800022XXH6V

PANEL DRILLING

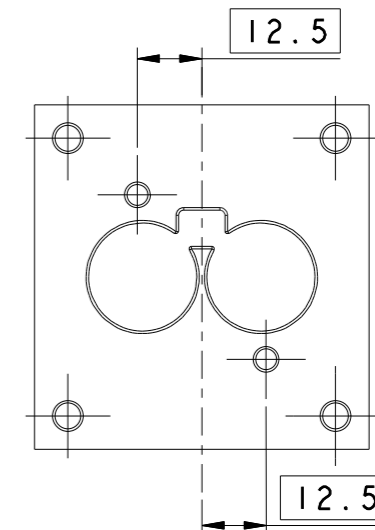


SECTION C-C

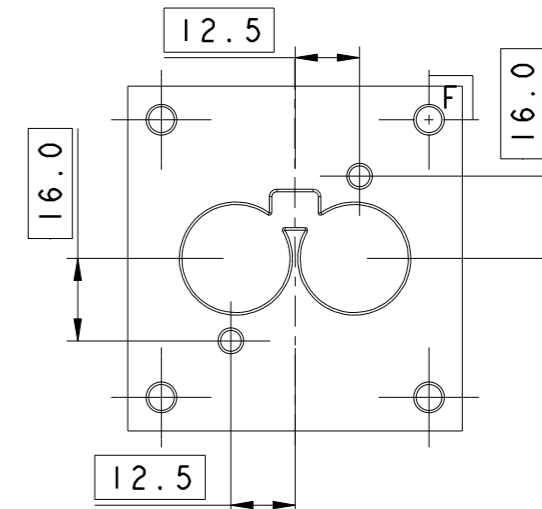


SECTION D-D

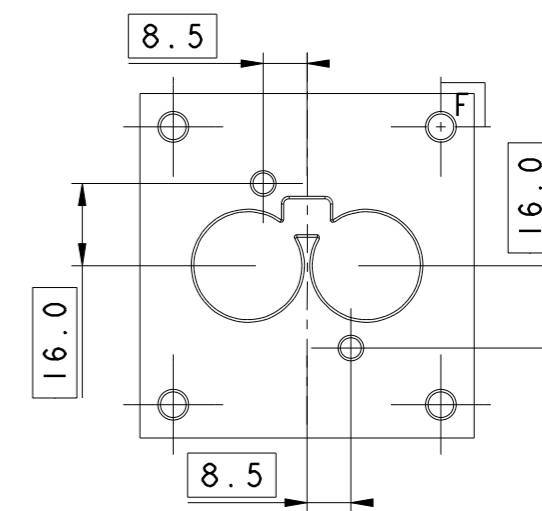
CODING A



CODING B



CODING C



SIZE A3	DWG NO. C-HVSL800022XXH6V	REV 2
CODE: 58982	SCALE: 1:1	SHEET 2 OF 2

C-HVSL800022XXH6V

C-HVSL800022XXH6V