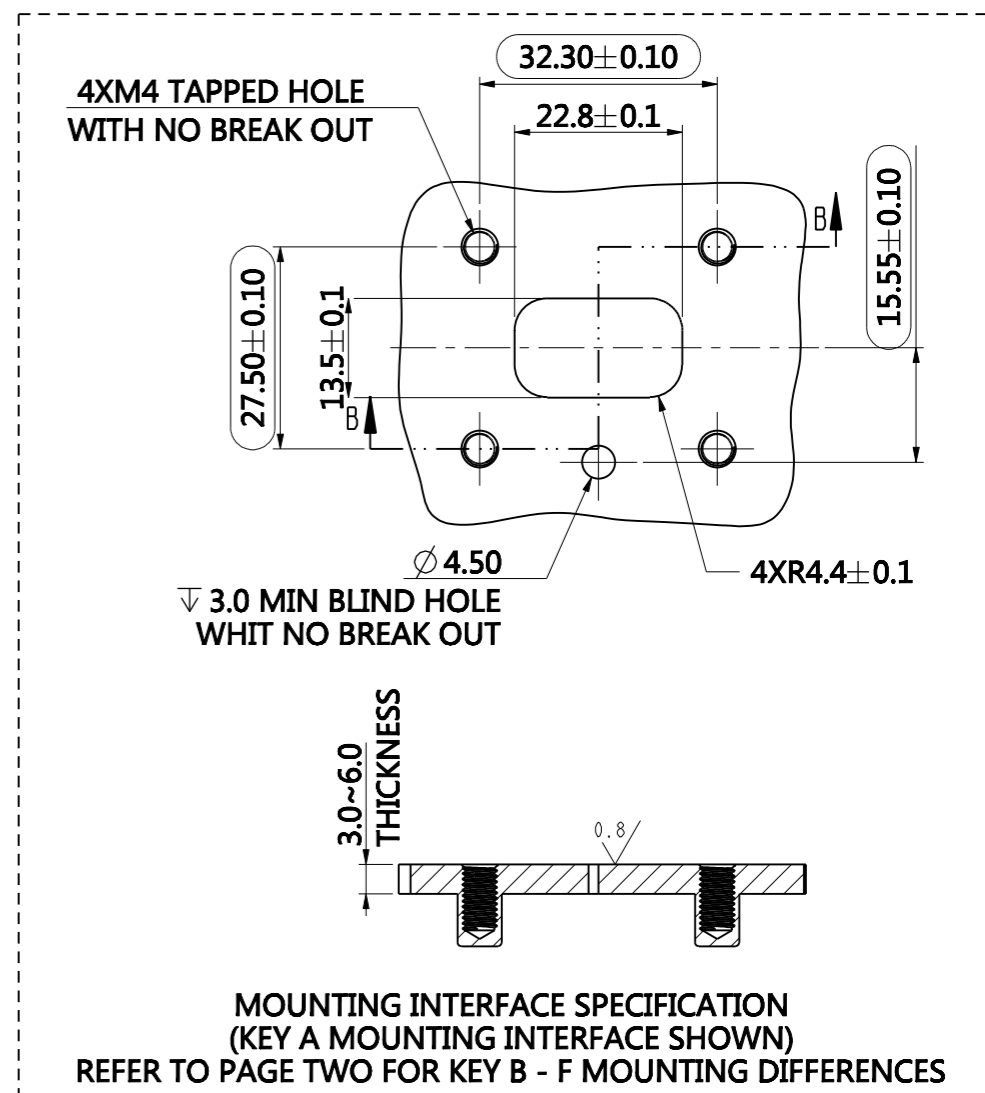
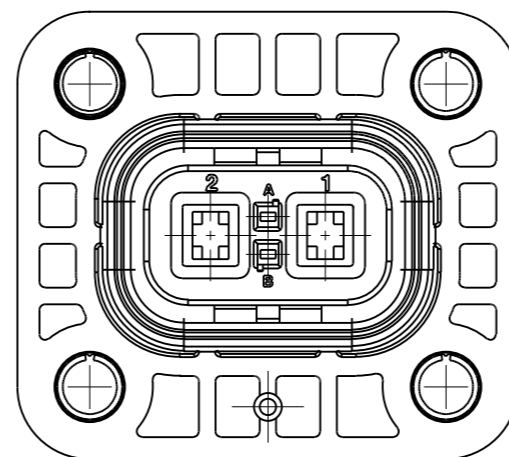
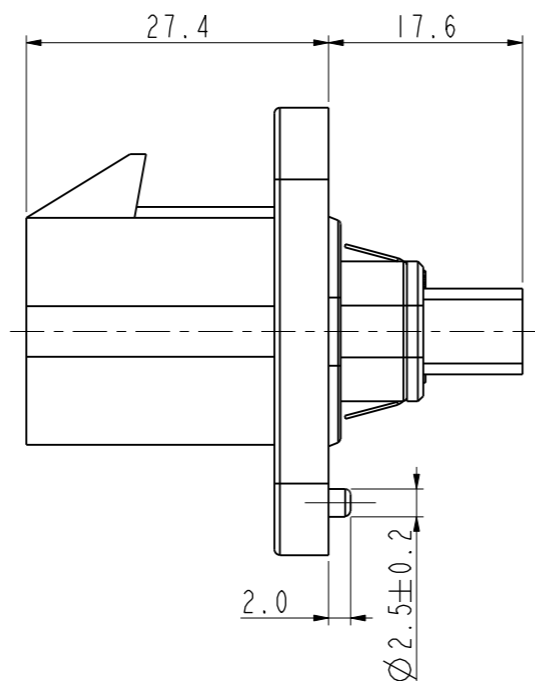
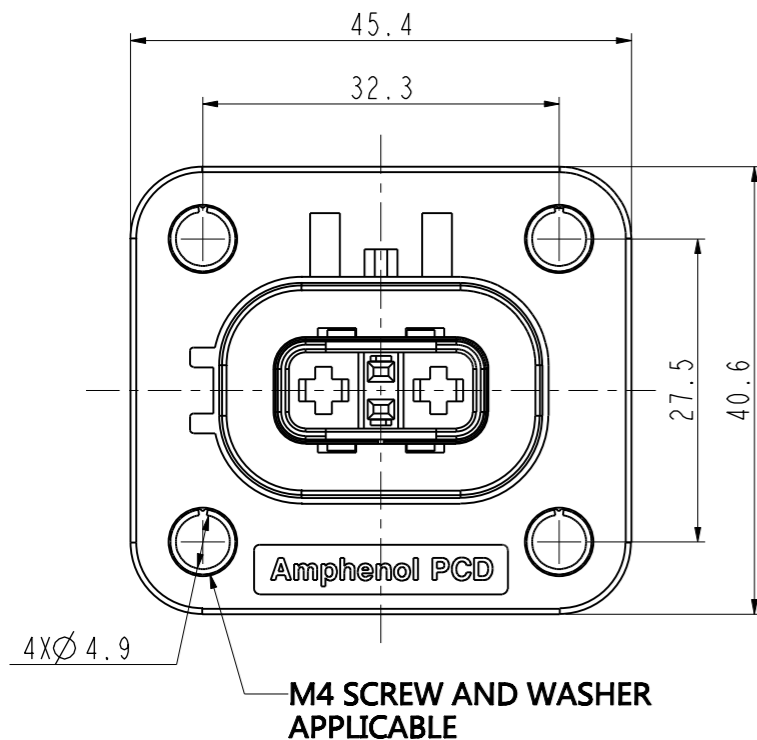


REV	ECN	DESCRIPTION	DATE	MODIFIED
E		UPDATE CONTACT P/N	2018.06.13	ROY.QU
F	R0380N	ADJUST RATING VOLGAGE	2019.3.22	ROY.QU

Amphenol PCDSZ
ORIGINAL
PDF Format
R&D



✦:CRITICAL CHARACTERISTICS 关键特性
◎:IMPORTANT CHARACTERISTICS 重要特性

TECHNICAL DATA		
CURRENT RATE (4MM ² UNSHIELD CABLE)	32A @ AMBIENT 70° C	✦
CURRENT RATE (2.5~3MM ² UNSHIELD CABLE)	23A @ AMBIENT 70° C	✦
UL RATING VOLTAGE (OVERVOLTAGE CATEGORY II POLLUTION DEGREE 2)	△ 1000V DC	✦
OPERATING TEMPERATURE	-40~125° C	
DIELECTRIC WITH STANDING VOLTAGE	3000V AC	✦
INSULATION RESISTANCE	2000MΩ MIN. 25° C, NO CABLE	✦
DURABILITY	50 CYCLES (MIN)	◎
SHIELDING	YES	◎
WATERPROOF (MATED CONDITION)	IP 67, IP6K9K	✦
PROTECTION LEVEL	IP2XB	✦
AMBIENT TEMPERATURE	-40~70° C	

NOTE:

- RECEPTACLE DON'T INCLUDE CONTACT PIN,NEED TO BUY SEPARATE:
THE MAIN CONTACT:C310003611S,USE LEVEL: 2PCS
THE HVIL CONTACT:C310003614S,USE LEVEL: 2PCS
- PREVAILING TORQUES:2N*M
- ROHS COMPLIANCE 符合RoHS

SCOPE OF CABLE OUTSIDE DIAMETER	
SIZE	OUTSIDE DIAMETER
2.5 MM ²	2.7~3.7 MM
3 MM ²	2.7~3.7 MM
4 MM ²	3.0~4.0 MM

RECEPTACLE P/N	KEY CODE
HVSL282022A	A
HVSL282022B	B
HVSL282022C	C
HVSL282022D	D
HVSL282022E	E
HVSL282022F	F

DIMENSIONS	TOLERANCES	PROJECTION	TITLE		
ANSI Y14.5M UNITS: MM Pro/E FILE	.X ±0.5 .XX ±0.05 ANGLES ±0.5°		Amphenol Pcd Shenzhen		
ORIGINAL	THIS DOCUMENT CONTAINS PROPRIETARY INFORMATION WHICH IS THE CONFIDENTIAL PROPERTY OF AMPHENOL PCD SHENZHEN	ENGR ROY.QU 20/12/18	HVSL282 RECEPTACLE		
		CHKD <i>Jouk</i>	SIZE A3	DWG NO. C-HVSL282022X	REV F
		APPD <i>Seibas</i>	CODE: 58982	SCALE: 1:1	SHEET 1 OF 2

HVSL282022A (KEY A)

HVSL282022B (KEY B)

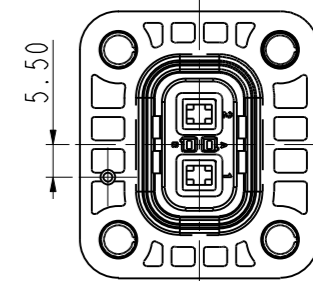
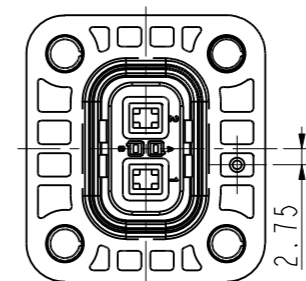
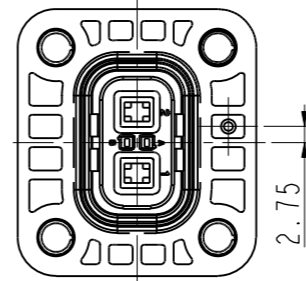
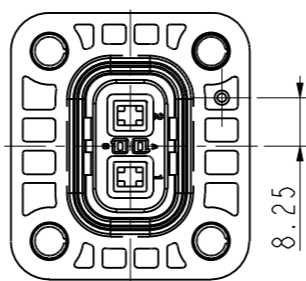
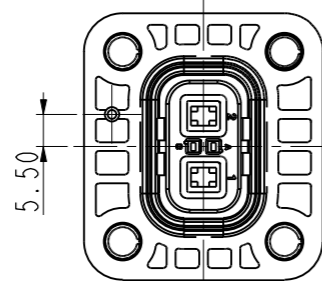
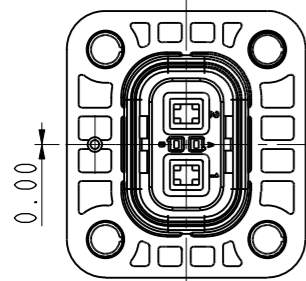
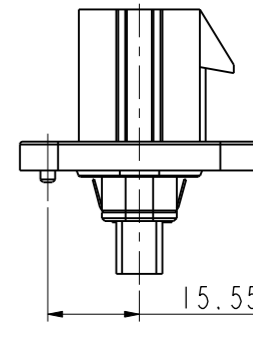
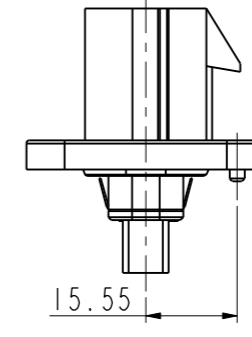
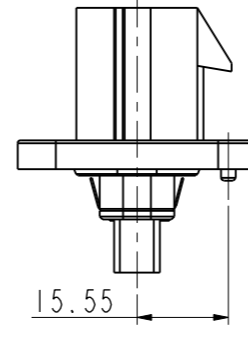
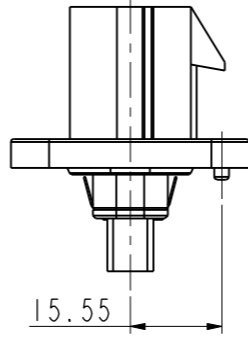
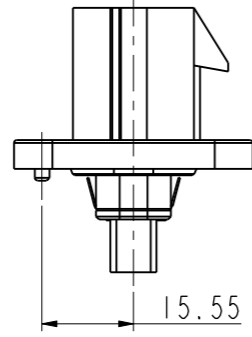
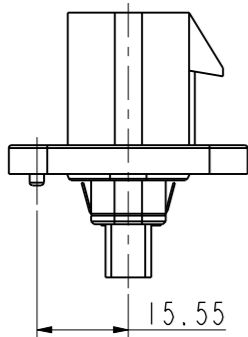
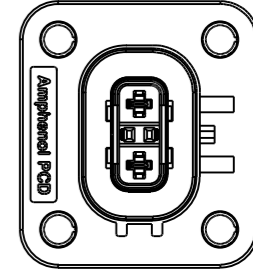
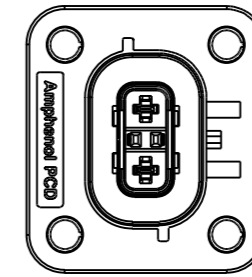
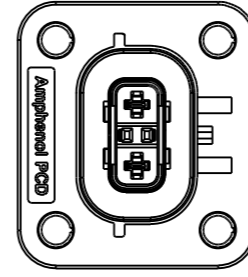
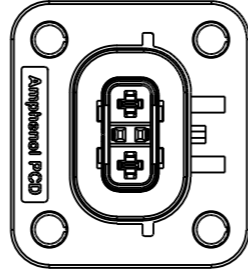
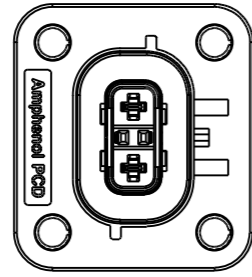
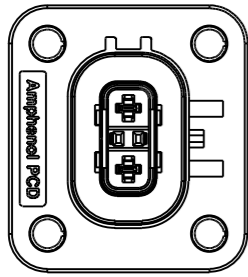
HVSL282022C (KEY C)

HVSL282022D (KEY D)

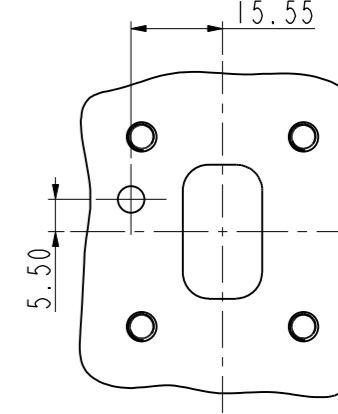
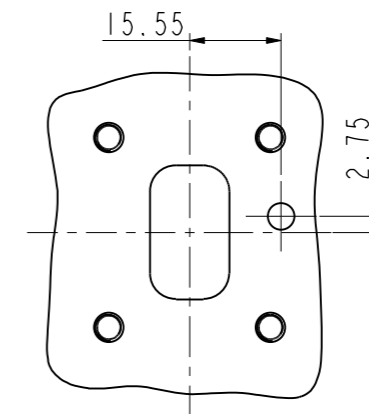
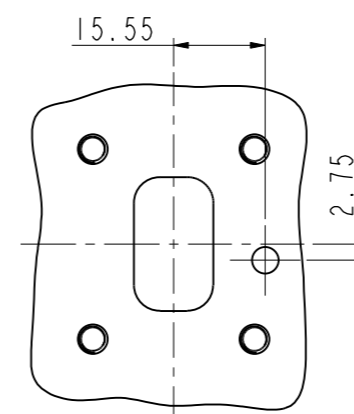
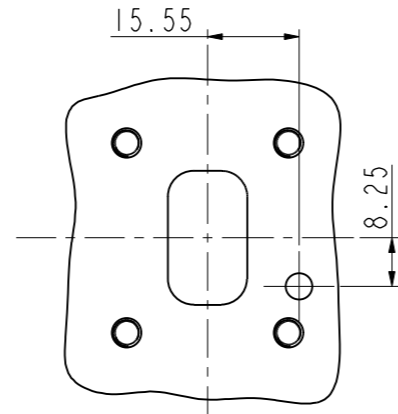
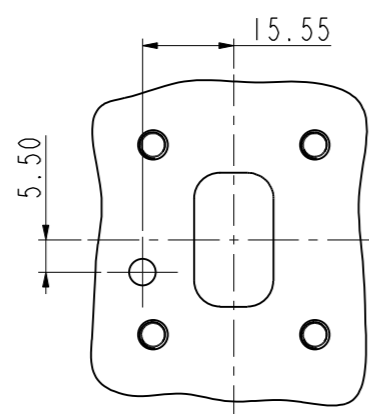
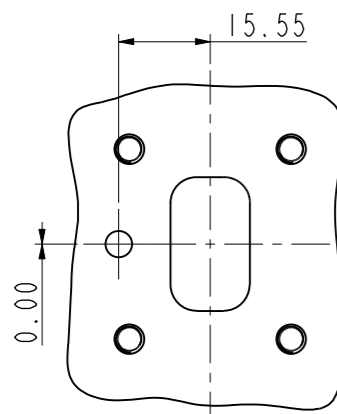
HVSL282022E (KEY E)

HVSL282022F (KEY F)

KEY A - F MOUNTING DIFFERENCES RECEPTACLE



INTERFACE VIEW - MOUNTING SIDE



KEY A MOUNTING INTERFACE

KEY B MOUNTING INTERFACE

KEY C MOUNTING INTERFACE

KEY D MOUNTING INTERFACE

KEY E MOUNTING INTERFACE

KEY F MOUNTING INTERFACE

C-HVSL282022X

C-HVSL282022X

SIZE A3	DWG NO. C-HVSL282022X	REV F
CODE: 58982	SCALE: 1:1	SHEET 2 OF 2