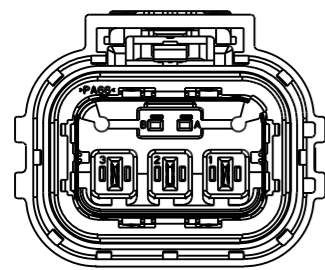
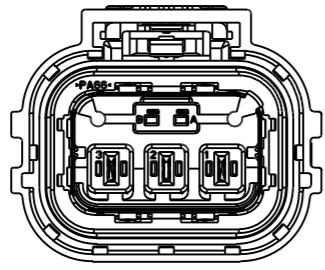


Amphenol PCDSZ  
ORIGINAL  
PDF Format  
R&D

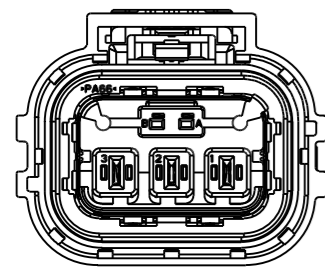
REV	ECN	DESCRIPTION	DATE	MODIFIED
A		PRE-RELEASE	2016.10.10	JASON.C
B		UPDATED	2017.11.17	CELINE.X
C		ADD BOM	2018.05.21	CELINE.X



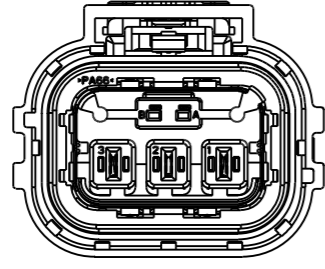
KEY A  
HVSL280 06 3 A X XX XX



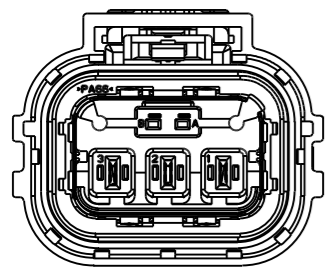
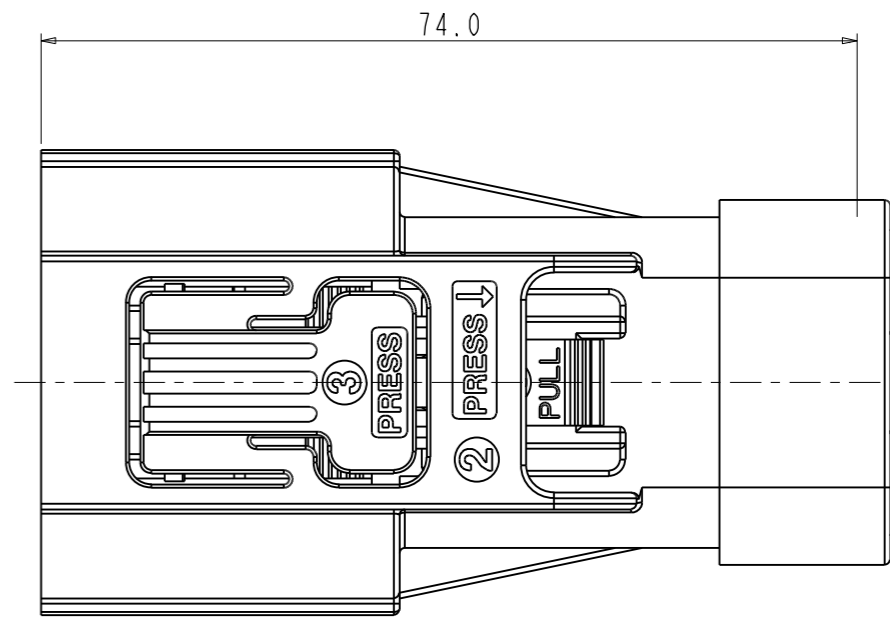
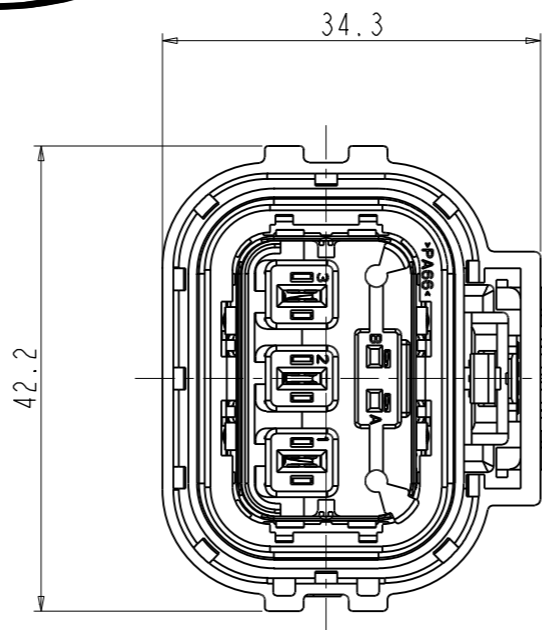
KEY D  
HVSL280 06 3 D X XX XX



KEY B  
HVSL280 06 3 B X XX XX



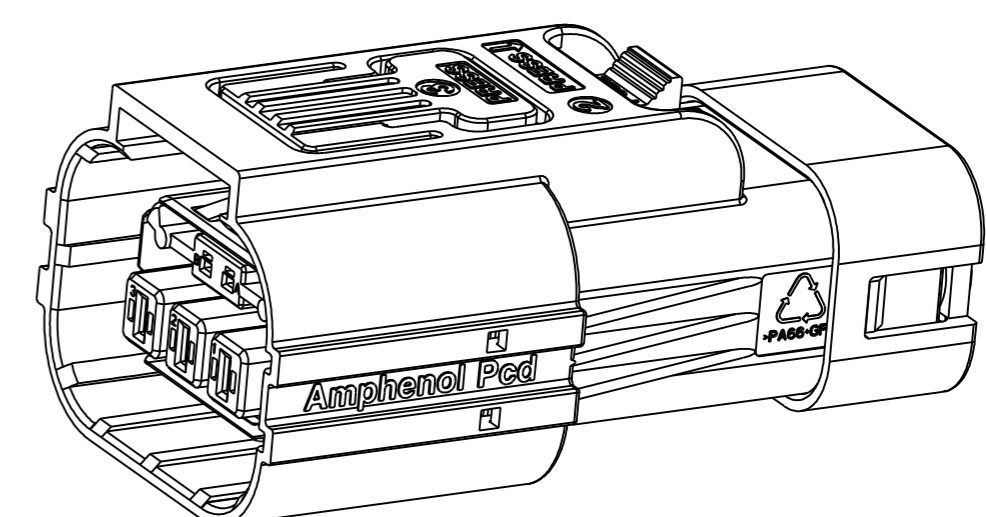
KEY E  
HVSL280 06 3 E X XX XX



KEY C  
HVSL280 06 3 C X XX XX

3. TECHNICAL DATA TABLE

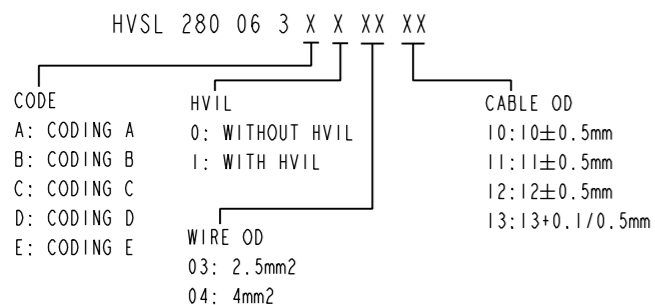
TECHNICAL DATA		
CURRENT RATE (2.5-4MM <sup>2</sup> SHIELD CABLE)	15A(2.5mm <sup>2</sup> CABLE) 23A(4mm <sup>2</sup> CABLE)	★
UL RATING VOLTAGE (OVERVOLTAGE CATEGORY II POLLUTION DEGREE 2)	800V DC	★
OPERATING TEMPERATURE	-40~125°C	
DIELECTRIC WITH STANDING VOLTAGE	3000V AC	★
INSULATION RESISTANCE	2000MΩ MIN	★
DURABILITY	50 CYCLES	◎
SHIELDING	YES	◎
WATERPROOF(MATED CONDITION)	IP 67, IP6K9K	★
PROTECTION LEVEL	IP2XB	★
AMBIENT TEMPERATURE	-40~70°C	



NOTES:

- MATERIAL & FINISH:  
PLASTIC BODY: THERMOPLASTICS UL 94V-0 ORANGE COLOR  
CONTACTS: COPPER ALLOY SILVER PLATED  
SHIELD: COPPER ALLOY  
SEAL: SILICONE

2. PART NUMBER DESCRIPTION:

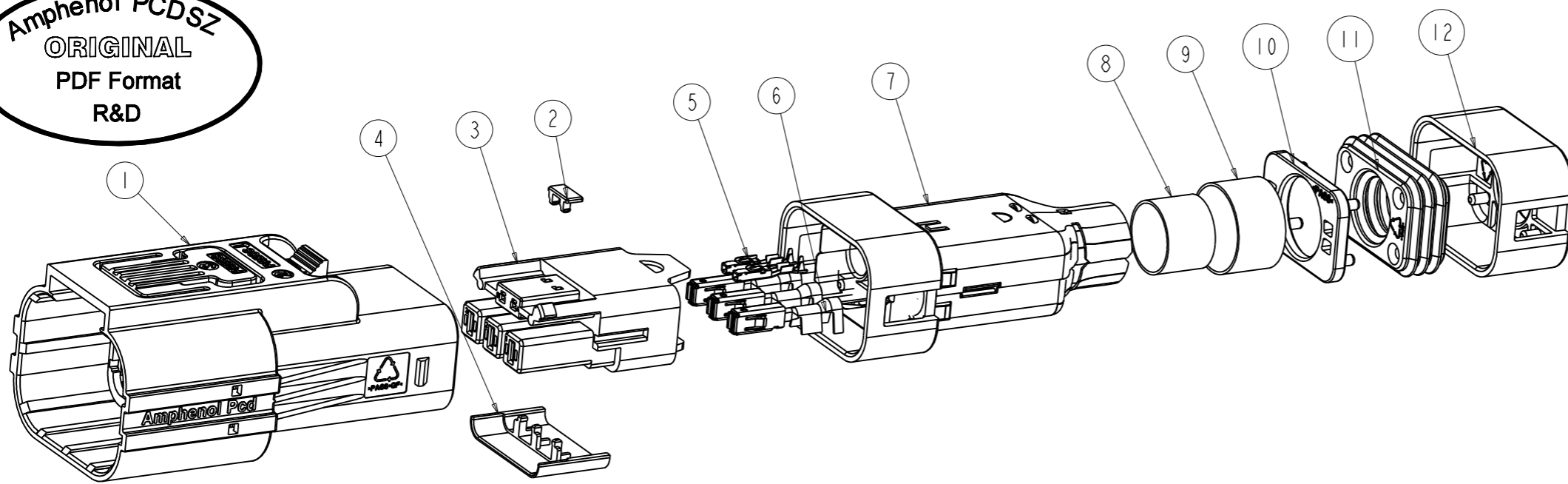


DIMENSIONS	TOLERANCES	PROJECTION	TITLE		
ANSI Y14.5M UNITS: MM Pro/E FILE	X ±0.5 .XX ±0.05 ANGLES ±0.5°		Amphenol Pcd Shenzhen		
ORIGINAL NOT FOR CUSTOMER DISTRIBUTION	THIS DOCUMENT CONTAINS PROPRIETARY INFORMATION WHICH IS THE CONFIDENTIAL PROPERTY OF AMPHENOL PCD SHENZHEN	ENGR JASON.C Aug-21-13 CHKD APPD	SIZE	DWG NO.	REV
			A3	C-HVSL280063XXXXXX	C
			CODE: 58982	SCALE: 3:2	SHEET 1 OF 2

C-HVSL280063XXXXXX

C-HVSL280063XXXXXX

Amphenol PCDSZ  
ORIGINAL  
PDF Format  
R&D



4. ASSEMBLY AND DETAIL BOM LIST SHOW

ASSEMBLY P/N	ITEM	COMPONENT P/N	DESCRIPTION	Q'TY
HVSL 280 06 3 X X XX XX	12	C422003620	END CAP	1
	11	C427003607X	SEAL	1
	10	C422003622	SPACER	1
	9	P03BM00042	OUTER FERRULE(CABLE DIAMETER:13)	1
		C421003602	OUTER FERRULE(CABLE DIAMETER:10/11/12)	1
	8	P03BM00041	INNER FERRULE(CABLE DIAMETER:13)	1
		C421003601	INNER FERRULE(CABLE DIAMETER:10/11/12)	1
	7	C431003609	SHIED	2
	6	C431003612	MAIN CONTACT	3
	5	C431003614	HVIL CONTACT	2
	4	C422003626	TPA	1
	3	C4220003625	INNER PLUG HOUSING	1
2	C422003627	TPA	1	
1	HVSL280063X	PLUG(X=A,B,C,D,E)	1	

DESCRIPTION	PART NUMBER	DIM"D1"(mm)
HVIL CONTACT	C431003614	15~16.5

DESCRIPTION	PART NUMBER	DIM"D1"(mm)
MAIN CONTACT	C431003612	21.8~23.2

DESCRIPTION	PART NUMBER	DIM"D1"(mm)
END CAP	C422003620	13±0.1

DESCRIPTION	PART NUMBER	DIM"D1"	ADAPTED(OD)
SEAL	C427003607	10.9±0.3	∅12,13mm CABLE
	C4270036071	9.9±0.3	∅11mm CABLE
	C4270036072	8.9±0.3	∅10mm CABLE

DESCRIPTION	PART NUMBER	DIM"D1"	DIM"D2"
INNER FERRULE(CABLE DIM:10/11/12)	C421003601	12.6±0.1	13.6±0.1
INNER FERRULE(CABLE DIM:13)	P03BM00041	13.5±0.1	14.5±0.1

DESCRIPTION	PART NUMBER	DIM"D1"	DIM"D2"
OUTER FERRULE(CABLE DIM:10/11/12)	C421003602	16.0±0.1	17.0±0.1
OUTER FERRULE(CABLE DIM:13)	P03BM00042	17.0±0.1	18.0±0.1

C-HVSL280063XXXXXX

C-HVSL280063XXXXXX