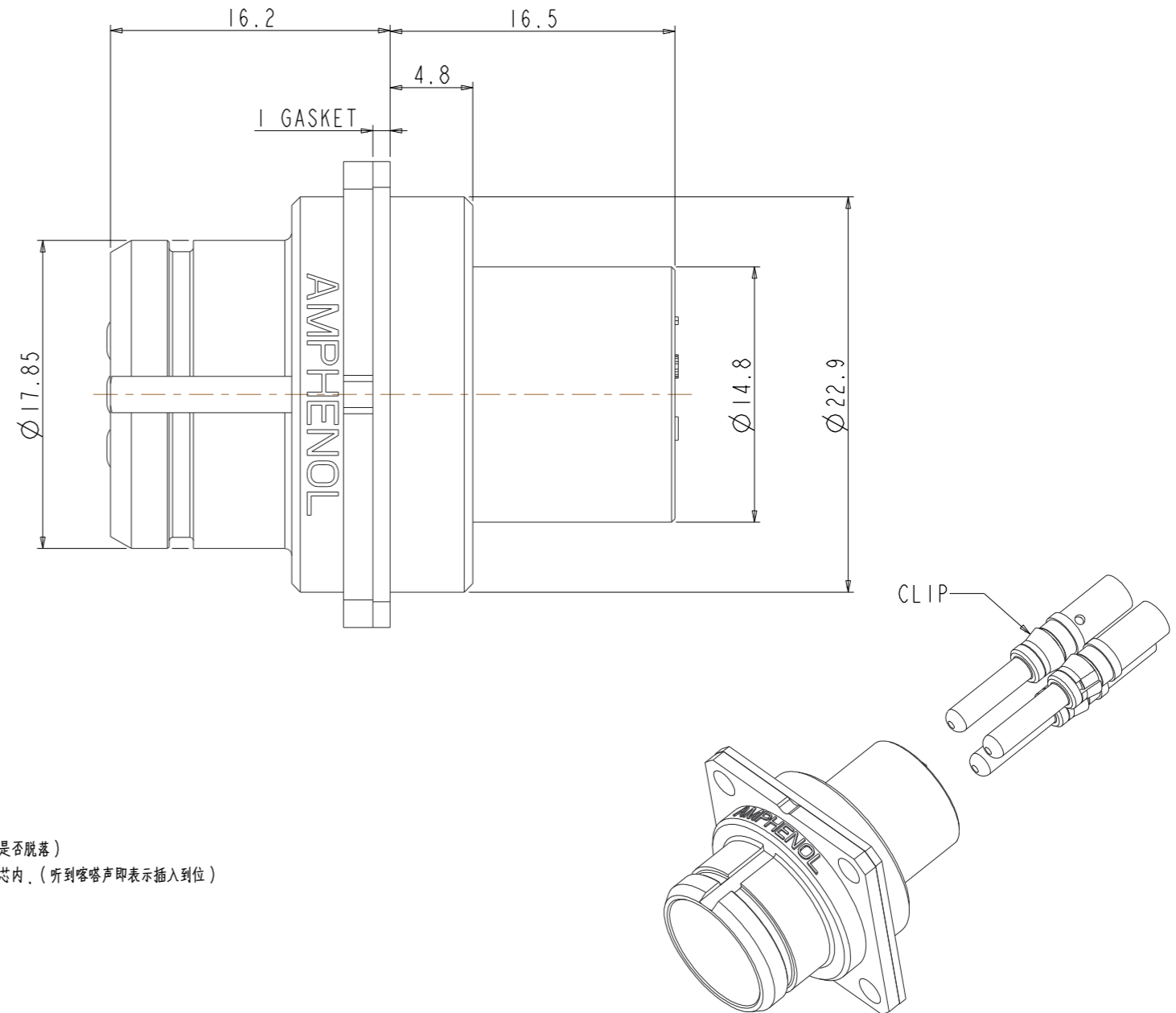
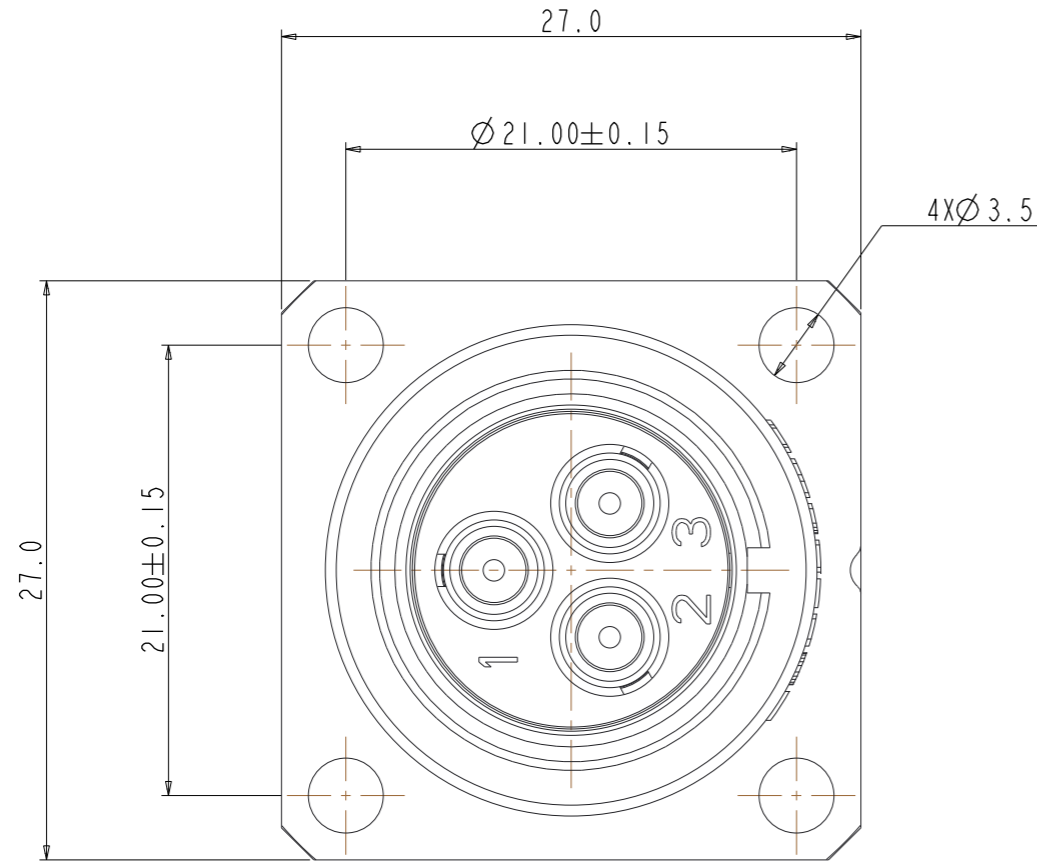


REV	ECN	DESCRIPTION	DATE	MODIFIED
A		FIRST RELEASE	2014.05.14	G.TANG

CUSTOMER DRAWING



装配说明

1. 将插针压接线材 (留意插针上的CLIP是否脱落)
2. 将压好线的插针插入到插座组件的塑胶插芯内, (听到喀嗒声即表示插入到位)

TECHNICAL DATA 技术参数:

CURRENT RATE (2.5/4MM ² WIRE) 额定电流	23A
UL RATING VOLTAGE 额定电压	DC400V, AC230V
OPERATING TEMPERATURE 工作温度	-40-125°C
DIELECTRIC WITHSTANDING VOLTAGE 绝缘耐压	2500V AC
INSULATION RESISTANCE 绝缘阻抗	2000MEGOHMS MIN. (25°C)
DURABILITY 机械寿命	500 CYCLES
SHIELDING 屏蔽	---
WATERPROOF 防水等级 (mated condition)	IP67

DIMENSIONS	TOLERANCES	PROJECTION	TITLE		
ANSI Y14.5M UNITS: MM Pro/E FILE	.X ±0.3 .XX ±0.20 ANGLES ±0.5°		Amphenol Pcd Shenzhen		
			ENGR	SEVN.TAO	2014.05.14
			CHKD		
			APPD		
ORIGINAL NOT FOR CUSTOMER DISTRIBUTION			THIS DOCUMENT CONTAINS PROPRIETARY INFORMATION WHICH IS THE CONFIDENTIAL PROPERTY OF AMPHENOL PCD SHENZHEN		
		SIZE	DWG NO.		REV
		A3	HVSIS-203MC		B
		CODE: 58982	SCALE: 3:1	SHEET 1 OF 1	