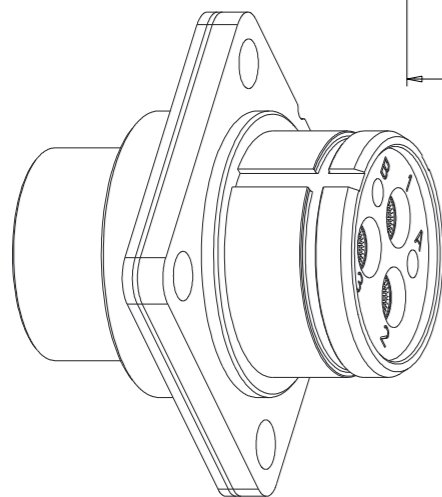
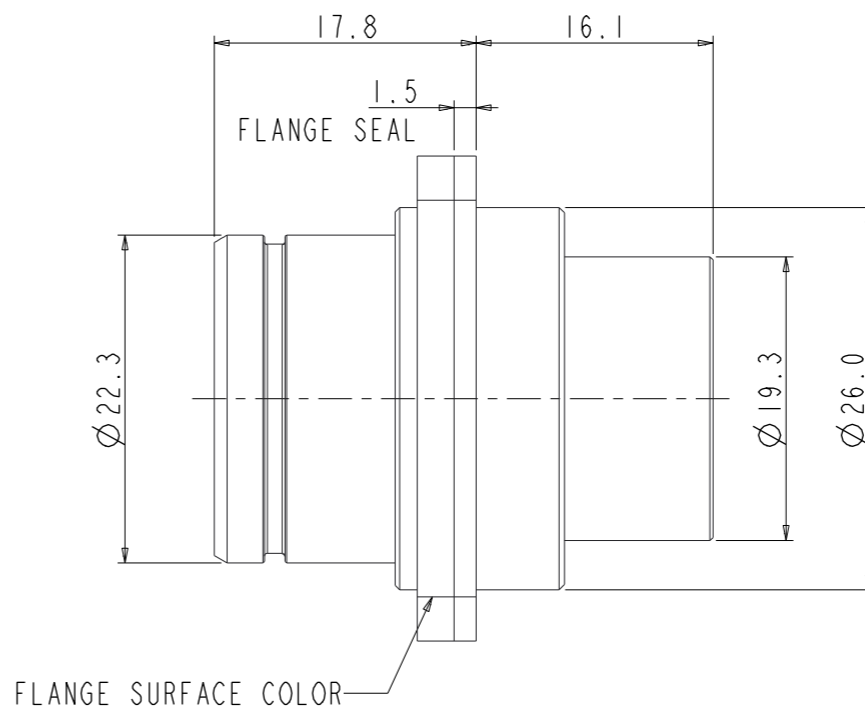
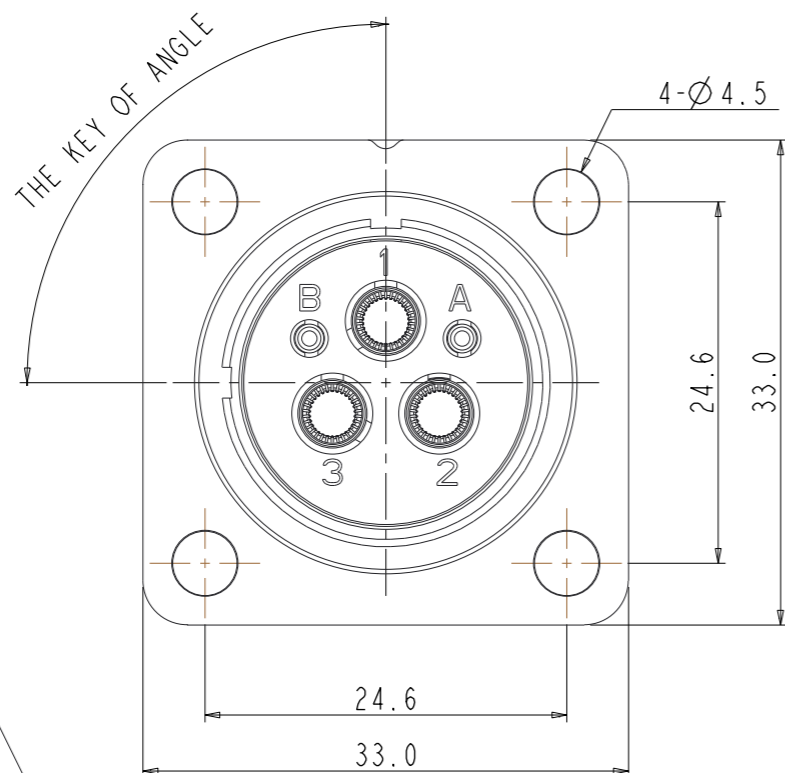


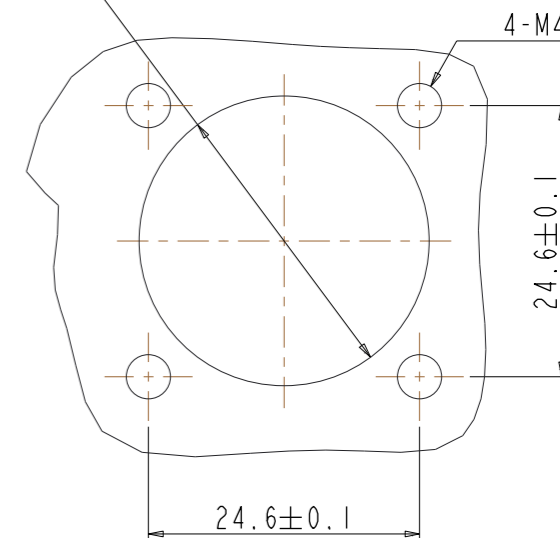
CUSTOMER DRAWING

REV	ECN	DESCRIPTION	DATE	MODIFIED
G		UPDATE P/N DESCRIPTION	2016.12.15	ROY.QU



1, 2 3=3.0MM FEMALE CONTACT
A,B=1.0MM FEMALE CONTACT

$\varnothing 26.3 \pm 0.1$
FOR PANEL MOUNTING



PANEL CUT OUT REFERENCE

NOTES:

1. FINISHED PRODUCT DOES HAVE NOT THE PIN, NEED TO BUY SEPARATE.
2. THE BIG PIN P/N FOR 4MM² CABLE: HVG30F4 OR HVG30FS4, USE LEVEL: 3PCS
THE BIG PIN P/N FOR 2.5MM² CABLE: HVG30F2 OR HVG30FS2, USE LEVEL: 3PCS
3. THE SMALL PIN P/N: HVG20F1, USE LEVEL: 2PCS
4. IF THE P/N WITHOUT ANGLE CODE, PLEASE DON'T CHOOSE YELLOW FLANGE SURFACE. OTHER ANGLE AND COLOR CAN BE MATCHED IN ANY COMBINATION

ANGLE CODE	ANGLE OF KEY	COLOR CODE	FLANGE SURFACE COLOR	P/N(FOR EXAMPLE)
WITHOUT	0°	WITHOUT	COLOR ZINC	HVGIS403FC
X	270°	RD	RED	HVGIS403FCXRD
Y	315°	Y	YELLOW	HVGIS403FCYY
Z	90°	BL	BLUE	HVGIS403FCZBL
W	45°	G	GREEN	HVGIS403FCWG
		BK	BLACK	HVGIS403FCBK

TECHNICAL DATA	
CURRENT RATE(2.5MM ² WIRE)	23A
CURRENT RATE(4MM ² WIRE)	32A
UL RATING VOLTAGE POLLUTION DEGREE 2	400VAC, 690VDC
OPERATING TEMPERATURE	-40-125°C
DIELECTRIC WITHSTANDING VOLTAGE	3000V
INSULATION RESISTANCE	2000MEGOHMS MIN. (25°C)
DURABILITY	500 CYCLES
SHIELDING	YES
WATERPROOF (MATED CONDITION)	IP67
AMBIENT TEMPERATURE	-40-70°

DIMENSIONS	TOLERANCES	PROJECTION	TITLE	
ANSI Y14.5M UNITS: MM Pro/E FILE	X ±0.3 XX ±0.20 ANGLES ±0.5°		Amphenol Pcd Shenzhen	
ORIGINAL NOT FOR CUSTOMER DISTRIBUTION	THIS DOCUMENT CONTAINS PROPRIETARY INFORMATION WHICH IS THE CONFIDENTIAL PROPERTY OF AMPHENOL PCD SHENZHEN		ENGR	ROY.QU 2016.12.15
			CHKD	
			APPD	
			SIZE	DWG NO.
			A3	HVGIS-403FCX-XX
			REV	G
CODE: 58982		SCALE: 2:1	SHEET 1 OF 1	

HVGIS-403FCX-XX

HVGIS-403FCX-XX