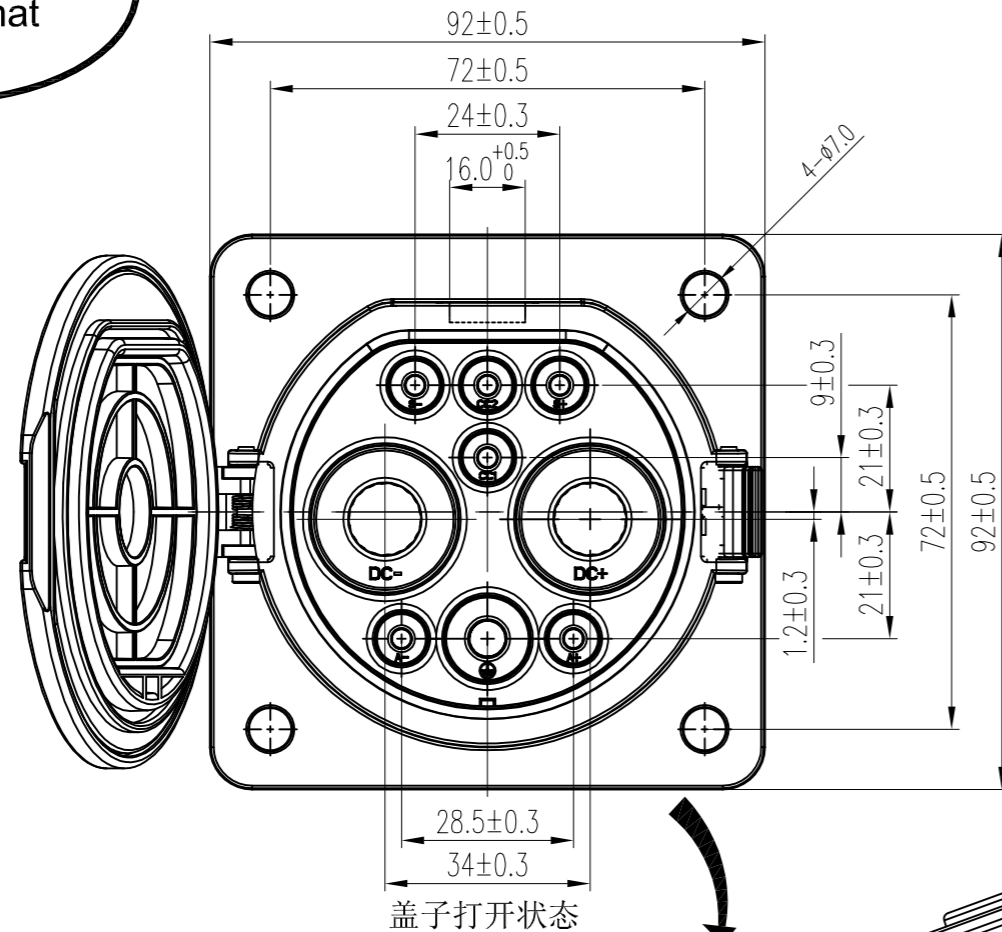
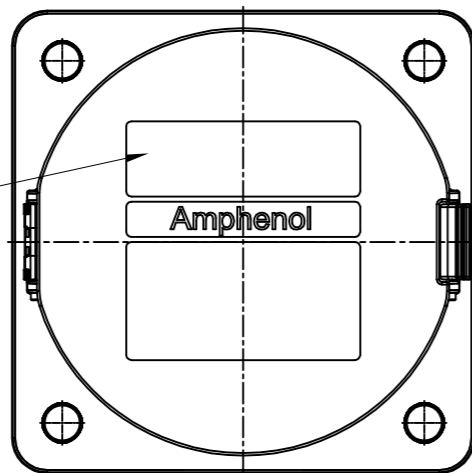


REV	ECN	DESCRIPTION	DATE	MODIFIED
1		PRE-RELEASE	29-Jan-18	NICK.H

Amphenol PCD SZ
ORIGINAL
PDF Format
R&D

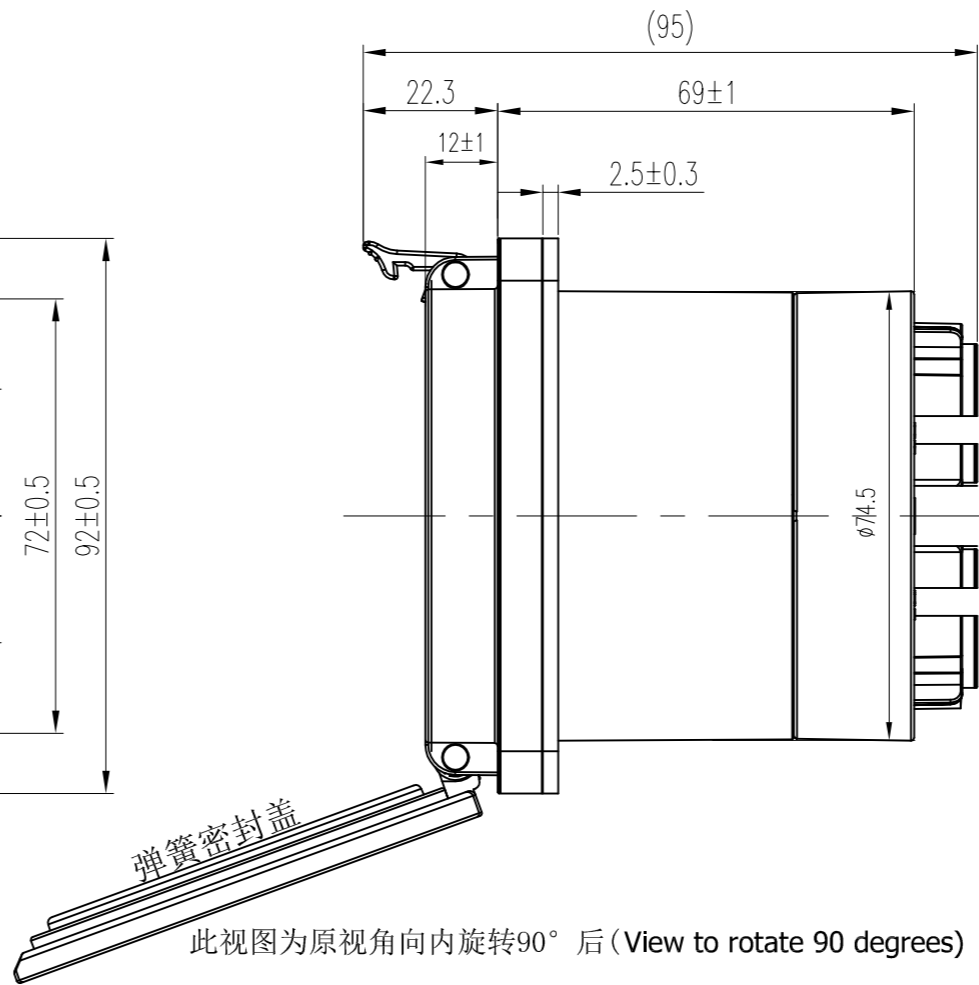


盖子打开状态

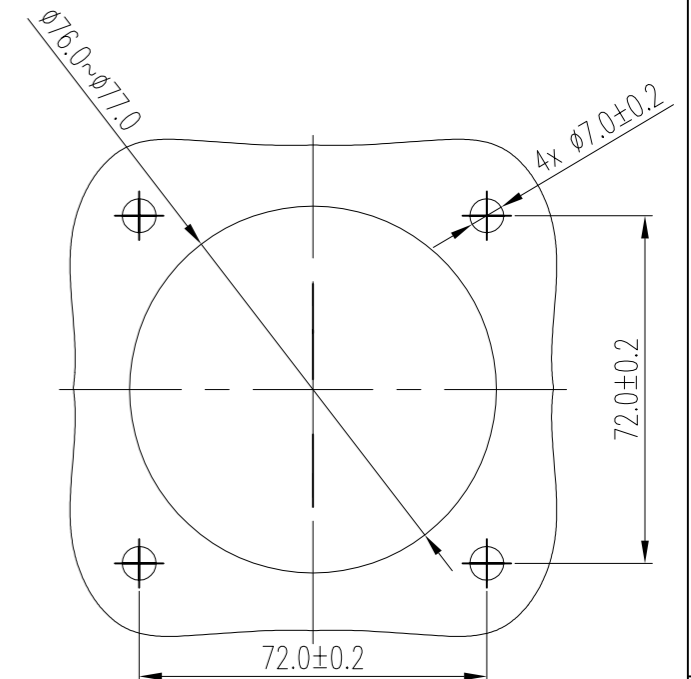


盖子合上状态
缩放比例 2:3

M/N型号: HVCOF 直流充电口插座
T/N: XXXXXXYY Made in China 中国制造
额定电压 / 电流: 750V / 250A DC



此视图为原视角向内旋转90°后 (View to rotate 90 degrees)



RECOMMENDED MOUNTING SPECIFICATION

Cable connect method

- 直流电源正 (DC+) 70mm² Shielding (orange cable)
热敏电阻固定在 (DC+) 端子尾部线缆上
- 直流电源负 (DC-) 70mm² Shielding (orange cable)
热敏电阻固定在 (DC-) 端子尾部线缆上
- 设备接地 (PE) 25mm²
- 充电通信 CAN_H (S+) 0.75mm² (red)
- 充电通信 CAN_L (S-) 0.75mm² (black) R=1000Ω
- 充电连接确认 (CC1) 0.75mm² (red)
- 充电连接确认 (CC2) 0.75mm² (black)
- 低压辅助电源正 (A+) 4mm² (red)
- 低压辅助电源负 (A-) 4mm² (black)

P/N:	Description:	Qty:	Remark:
C200006301	S+/S-/CC1 (0.75mm ²) 通信母针	3	
C200006418	CC2 (0.75mm ²) 通信母针	1	
C200006417	A+/A- (4.0mm ²) 辅助电源母针	2	
C200006407	PE (25mm ²) 母针本体	1	
C42000640002	DC+/DC- (70mm ²) Power 母针	2	
C270006422	0.75mm ² 密封套	4	密封范围 ∅ 2.6~3.6mm
C270006423	4.0mm ² 密封套	2	密封范围 ∅ 4.1~5.1mm
C270006424	PE 16~25mm ² 密封套	1	密封范围 ∅ 8.1~9.1mm
C270006425	DC+/DC- 密封套	2	密封范围 ∅ 13.6~14.6mm

Technical data / 技术参数:

Description	Parameter	Symbol
Rate Current / 额定电流	Power 250A @ 50°C Signal 2A A+/A- 20A	+
Rate Voltage / 额定电压	Power 750V / 1000V Signal 30V	+
Withstanding Voltage / 耐电压	动力线 3000V DC	+
Insulation Resistance / 绝缘阻抗	100MΩ Min	+
Service life / 使用寿命	>10000 Cycles	○
IP-Class / 防护等级	关盖状态 IP54 插合状态 IP55	+
Operating Temperature / 工作温度	-30°C ~ +50°C	○

DIMENSIONS	TOLERANCES	PROJECTION
ANSI Y14.5M UNITS: MM	.X ± 1 .XX ± 0.5 ANGLES ± 2.0°	
ORIGINAL	THIS DOCUMENT CONTAINS PROPRIETARY INFORMATION WHICH IS THE CONFIDENTIAL PROPERTY OF AMPHENOL PCD SHENZHEN	

Amphenol Pcd Shenzhen		TITLE VEHICLE COUPLER SOCKET DC 直流充电口插座 250A	
ENGR NICK.H	29-Jan-18	SIZE A3	DWG NO. C-HVCOFBTR12SF970RL
CHKD <i>Senbas</i>		REV 1	
APPD <i>Jouk</i>		CODE:	SCALE 1:1 SHEET 1 OF 1