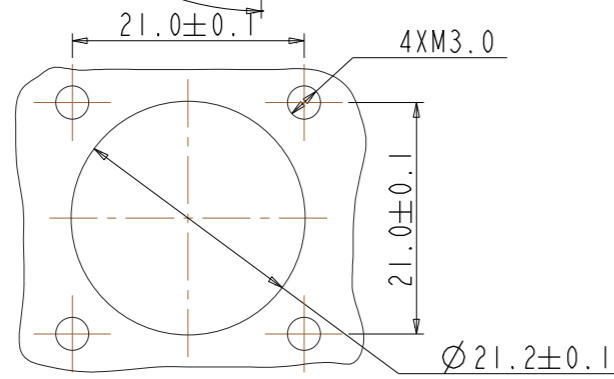
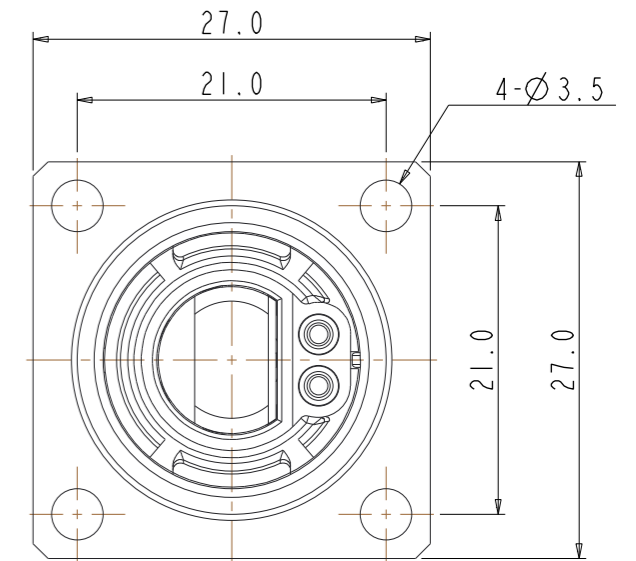
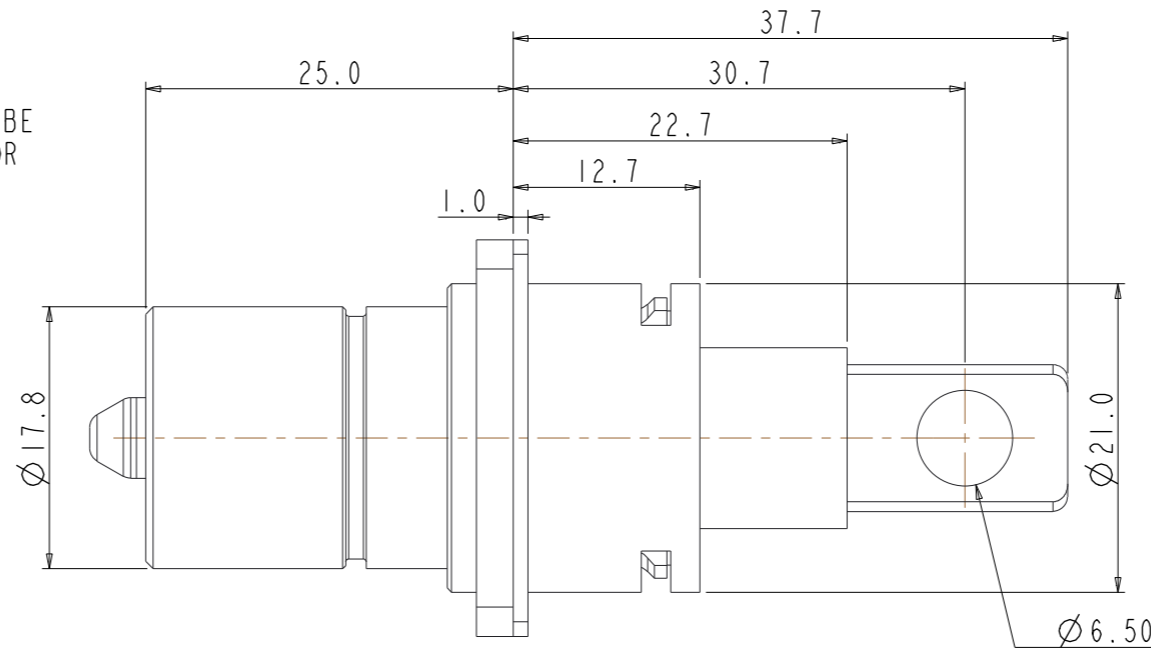
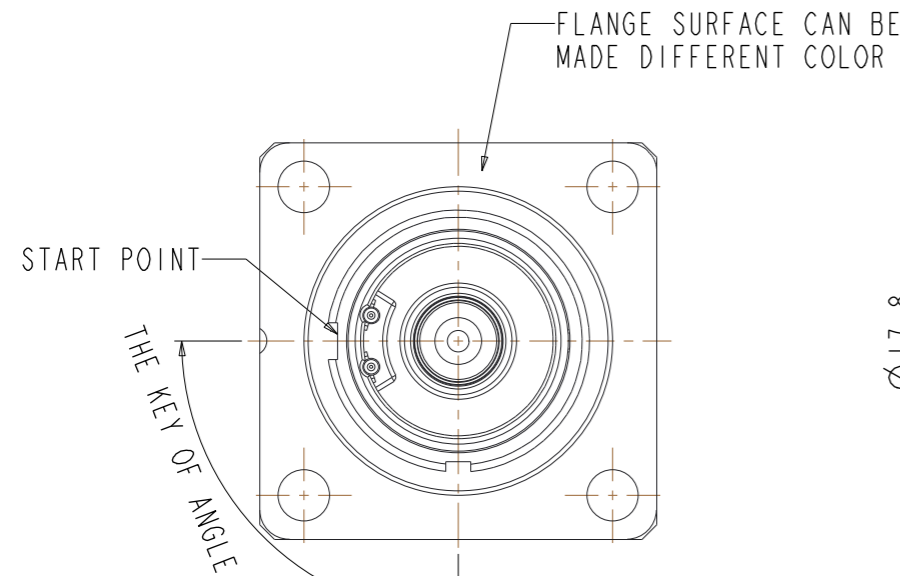
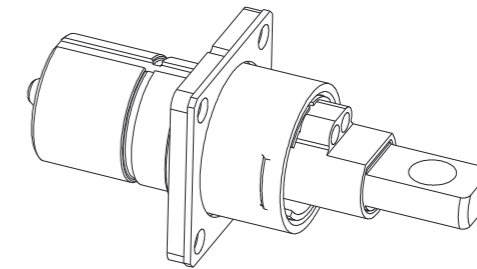
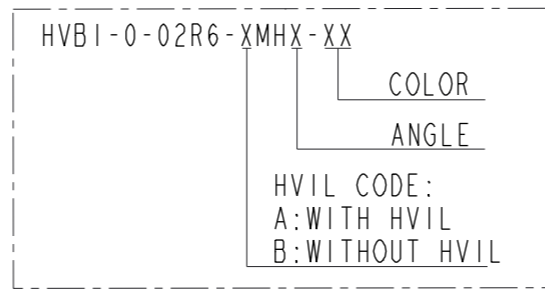


CUSTOMER DRAWING

REV	ECN	DESCRIPTION	DATE	MODIFIED
D		UPDATE	2016.06.07	ROY.QU



PANEL CUT-OUT REFERENCE



HVBI-0-02R6-XMHX-XX

HVBI-0-02R6-XMHX-XX

TECHNICAL DATA	
CURRENT RATE(25MM ² CABLE)	UP TO 120A
CURRENT RATE(20MM ² CABLE)	UP TO 100A
CURRENT RATE(16MM ² CABLE)	UP TO 80A
UL RATING VOLTAGE (OVERVOLTAGE CATEGORY II POLLUTION DEGREE 2)	1000V DC
OPERATING TEMPERATURE	-40~125°C
DIELECTRIC WITHSTANDING VOLTAGE	3000V AC
INSULATION RESISTANCE	2000MΩ MIN. 25°C, NO CABLE
DURABILITY	200 CYCLES
SHIELDING	--
WATERPROOF(MATED CONDITION)	IP 67
PROTECTION LEVEL	IP2XB
AMBIENT TEMPERATURE	-40~70°C

WIHT HVIL		
P/N	DESCRIPTION	
	KEY OF ANGLE	FLANGE SURFACE COLOR
HVBI-0-02R6-AMHA-RD	30°	RED
HVBI-0-02R6-AMHB-BK	60°	BLACK
HVBI-0-02R6-AMHC-YL	90°	YELLOW
HVBI-0-02R6-AMHD-GR	120°	GREEN
HVBI-0-02R6-AMHE-BL	150°	BLUE
HVBI-0-02R6-AMHF-PU	180°	PURPLE

WIHTOUT HVIL		
P/N	DESCRIPTION	
	KEY OF ANGLE	FLANGE SURFACE COLOR
HVBI-0-02R6-BMHA-RD	30°	RED
HVBI-0-02R6-BMHB-BK	60°	BLACK
HVBI-0-02R6-BMHC-YL	90°	YELLOW
HVBI-0-02R6-BMHD-GR	120°	GREEN
HVBI-0-02R6-BMHE-BL	150°	BLUE
HVBI-0-02R6-BMHF-PU	180°	PURPLE

DIMENSIONS ANSI Y14.5M UNITS: MM Pro/E FILE	TOLERANCES X ±0.3 XX ±0.10 ANGLES ±0.5°	PROJECTION 	Amphenol Pcd Shenzhen		TITLE HVBI-R6 RECEPTACLE	
			ENGR ROY.QU	2016.06.07	SIZE A3	DWG NO. HVBI-0-02R6-XMHX-XX
ORIGINAL NOT FOR CUSTOMER DISTRIBUTION			THIS DOCUMENT CONTAINS PROPRIETARY INFORMATION WHICH IS THE CONFIDENTIAL PROPERTY OF AMPHENOL PCD SHENZHEN			CODE: 58982
			SCALE: 2:1		SHEET 1 OF 1	