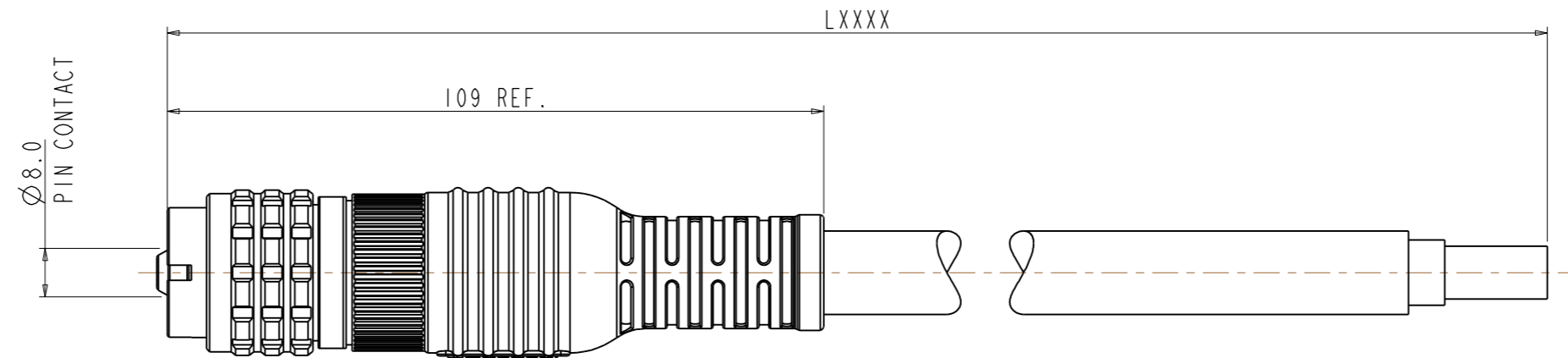
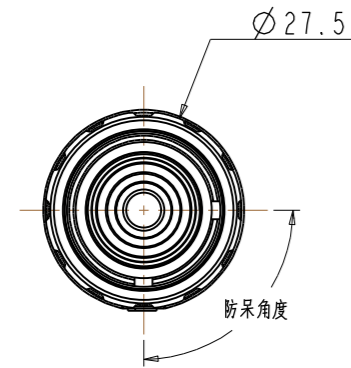


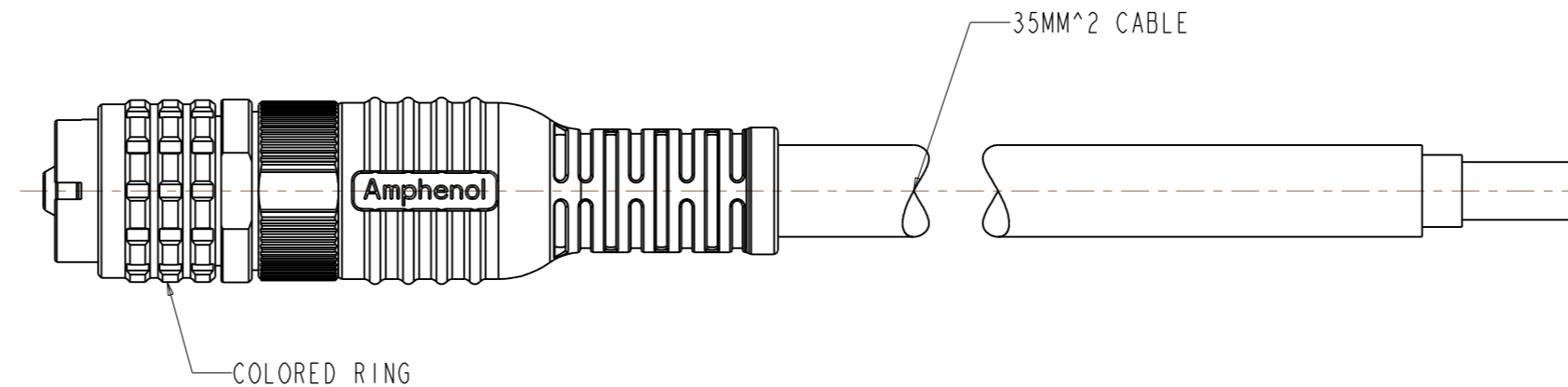
REV	ECN	DESCRIPTION	DATE	MODIFIED
A		PRE-RELEASE	2012.09.13	G.TANG

CUSTOMER DRAWING

LXXXX=ORDERED CALBE LENGTH (MM)



P/N 料号	对应防呆角度
HV7R8-IMCX-FG-35LXXXX	90°
HV7R8-IMCY-FG-35LXXXX	180°
HV7R8-IMCZ-FG-35LXXXX	135°
HV7R8-IMCW-FG-35LXXXX	120°
HV7R8-IMCU-FG-35LXXXX	155°
HV7R8-IMCN-FG-35LXXXX	无角度



P/N 代码	对应颜色
HV7R8-IMCX-R-FG-35LXXXX	RED
HV7R8-IMCY-FG-35LXXXX	BLACK
HV7R8-IMCZ-B-FG-35LXXXX	BLUE
HV7R8-IMCW-G-FG-35LXXXX	GREEN
HV7R8-IMCN-W-FG-35LXXXX	WHITE
HV7R8-IMCU-Y-FG-35LXXXX	YELLOW

TECHNICAL DATA 技术参数:	
CURRENT RATE 额定电流	150A
OPERATING VOLTAGE 工作电压	230VAC, 400VDC
OPERATING TEMPERATURE 工作温度	-40-125°C
DIELECTRIC WITHSTANDING VOLTAGE 绝缘耐压	2500V AC
INSULATION RESISTANCE 绝缘阻抗	2000MEGOHMS MIN. (25°C)
DURABILITY 机械寿命	500 CYCLES
SHIELDING 屏蔽	---
WATERPROOF (mated condition) 防水等级 (插头插座安装后)	IP 67
AMBIENT TEMPERATURE 环境温度	-40~70°C

DIMENSIONS ANSI Y14.5M UNITS: MM Pro/E FILE	TOLERANCES .X ±0.2 .XX ±0.10 ANGLES ±0.5°	PROJECTION 	Amphenol Pcd Shenzhen ENGR G.TANG 2012.09.13		TITLE PLUG CABLE ASSEMBLY WITH 35MM^2 CABLE		
			ORIGINAL NOT FOR CUSTOMER DISTRIBUTION	THIS DOCUMENT CONTAINS PROPRIETARY INFORMATION WHICH IS THE CONFIDENTIAL PROPERTY OF AMPHENOL PCD SHENZHEN		CHKD APPD	SIZE A3
		CODE: 58982		SCALE: 1:1		SHEET 1 OF 1	

HV7R8-IMCX-FG-35LXXXX

HV7R8-IMCX-FG-35LXXXX