

This document is the property of Amphenol Corporation and is delivered on the express condition that is not to be disclosed, reproduced or used, in whole or in part, for manufacture or sale by anyone other than Amphenol Corporation without its prior consent, and that no right is granted to disclose or to use any information in this document.

The marking on this product doesn't contain environmental hazardous materials per Material Specification 55-00259 for Sony GP compliant or per directive 2011/65/EU for RoHS compliant.



ORIGINAL

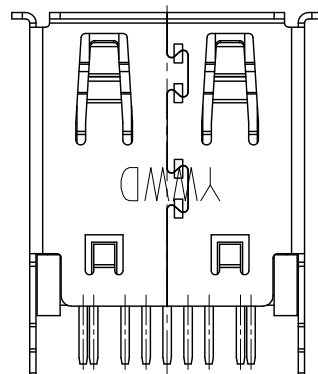
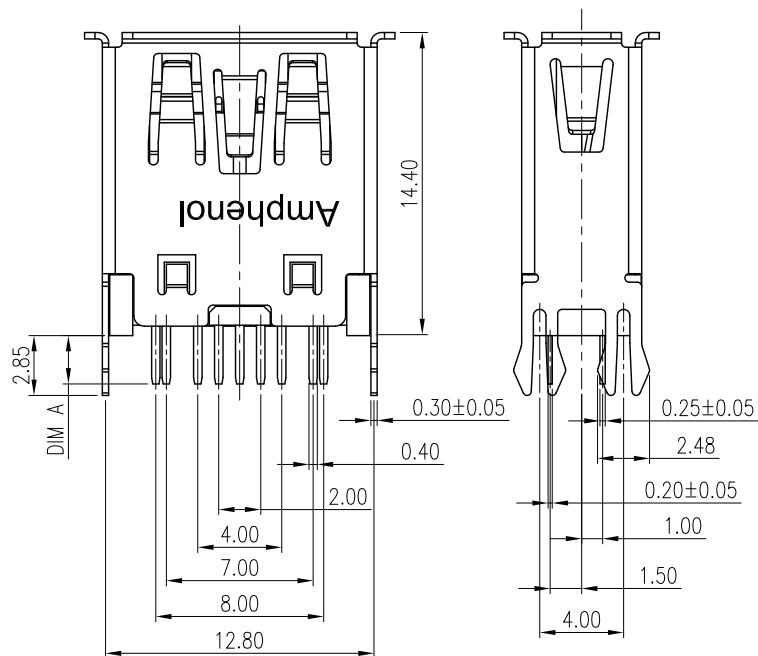
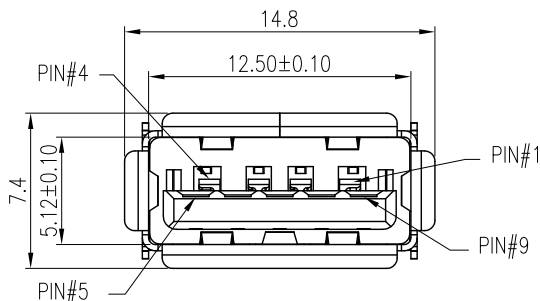


REVISIONS				
SYM	ECN No.	DESCRIPTION	DATE	APPROVED
A	NE-14111	APPROVED REVISION	06/16/2014	Arron Lin
B	NE-18066	UPDATE D/C TO "YWWO"	03/29/2018	Arron Lin

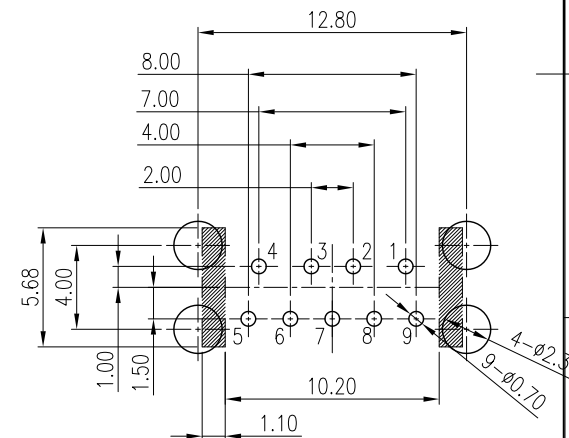
NOTES:

- MATERIAL:
HOUSING: THERMAL PLASTIC, OPTIONS, UL94V-0, COLOR: OPTION.
TERMINAL(5P): BRASS.
TERMINAL(4P): PHOSPHOR BRONZE.
SHELL: SK7.
- FINISH:
TERMINAL:
CONTACT AREA: SELECTED GOLD PLATING THICKNESS MIN.;
SOLDERING AREA: TIN PLATING 100 μ" THICKNESS MIN.;
UNDER PLATING: NICKEL PLATING 50 μ" THICKNESS MIN. OVERALL.
SHELL:
NICKEL PLATING 50 μ" THICKNESS MIN. OVERALL.
- PACKING IS PER AMTA PACKING SPECIFICATION PKS-0001.
- WAVE SOLDER CAPABLE TO 265°C
- THIS PRODUCT DOESN'T CONTAIN ENVIRONMENTAL HAZARDOUS PER DIRECTIVE 2011/65/EU FOR RoHS COMPLIANT.
- PRODUCT SPECIFICATION REFER TO : PS-7530

PART NO. GSB4121 X X X CHR
 CONTACT FINISH
 1: GOLD FLASH
 2: 15 μ" GOLD
 3: 30 μ" GOLD
 DIM A
 BLANK : 2.30mm
 1 : 3.0mm
 COLOR
 7: PA4T BLUE(300C)



Pin Number	Signal Name
1	VBUS
2	D-
3	D+
4	GND
5	SSRX-
6	SSRX+
7	GND_DRAIN
8	SSTX-
9	SSTX+
Shell	Shield



RECOMMENDED P.C.B LAYOUT
 TOLERANCE: ±0.05(TOP VIEWS)
 SANDOFF AREA

TOLERANCE	APPROVALS	DATE	TITLE	UNIT	SIZE	PART No.
X. ±0.30	DRAWN Debby Hung	03/29/2018	GSB4 SERIES, USB 3.1 A TYPE, SINGLE PORT STRAIGHT, PCB MOUNT	mm	A3	GSB4121XXXCHR
X.X ±0.20	CHECKED Sandy Wu	03/29/2018				
X.XXX ±0.10	APPROVED Roger Tsai	03/29/2018		SCALE NA	SHEET 1 OF 2	DWG No. GSB4121XXXCHR
ANGULAR ±1°	DWG TYPE CUST DWG	PROJECT CODE OTHER				
UNLESS OTHERWISE SPECIFIED						

Amphenol®
 Amphenol Corporation
 Amphenol Taiwan Corporation

This document is the property of Amphenol Corporation and is delivered on the express condition that is not to be disclosed, reproduced or used, in whole or in part, for manufacture or sale by anyone other than Amphenol Corporation without its prior consent, and that no right is granted to disclose or to use any information in this document.

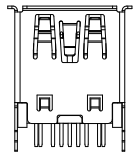
The marking on this product doesn't contain environmental hazardous materials per Material Specification 55-00259 for Sony GP compliant or per directive 2011/65/EU for RoHS compliant.



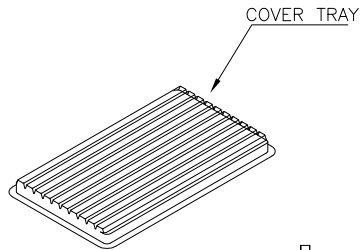
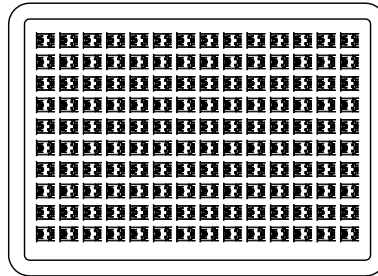
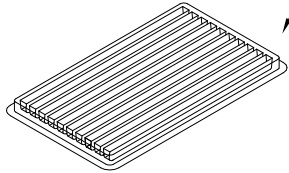
ORIGINAL



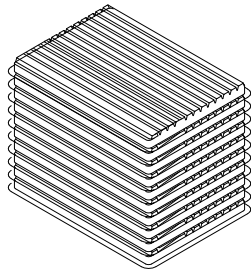
REVISIONS				
SYM	ECN No.	DESCRIPTION	DATE	APPROVED
A	NE-14111	APPROVED REVISION	06/16/2014	Arron Lin
B	NE-18066	UPDATE D/C TO "YWWO"	03/29/2018	Arron Lin



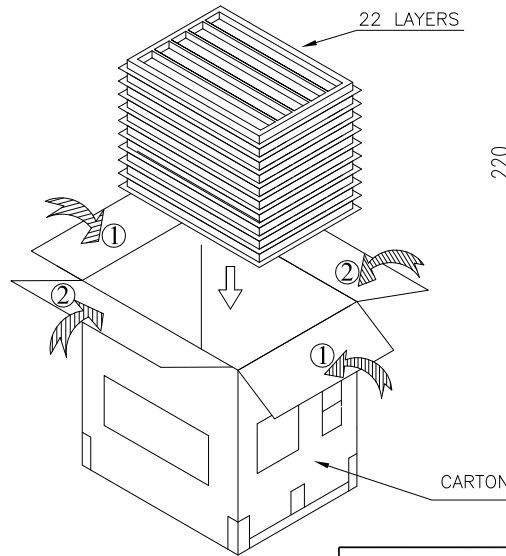
140 PCS/TRAY



COVER TRAY

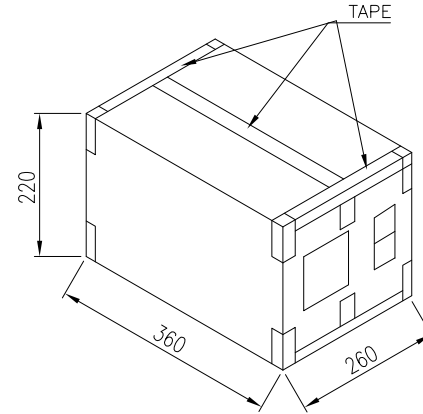


22 LAYERS



22 LAYERS

CARTON



PACKAGING BY TRAY	7.16	6.16	140	22	3080	GSB4121XXXCHR
	G/W KG	N/W KG	PCS/TRAY	TRAYS/BOX	QUANTITY (PCS)	PART NUMBER

TOLERANCE	APPROVALS	DATE	TITLE		PART No.	
X. ±0.30	DRAWN Debby Hung	03/29/2018	GSB4 SERIES, USB 3.1 A TYPE, SINGLE PORT STRAIGHT, PCB MOUNT		Amphenol® Amphenol Corporation Amphenol Taiwan Corporation	
X.XX ±0.20	CHECKED Sandy Wu	03/29/2018				
X.XXX ±0.10	APPROVED Roger Tsai	03/29/2018		UNIT mm	SIZE A3	PART No. GSB4121XXXCHR
ANGULAR ±1°	DWG TYPE CUST DWG	PROJECT CODE OTHER		SCALE NA	SHEET 2 OF 2	DWG No. GSB4121XXXCHR
UNLESS OTHERWISE SPECIFIED						