

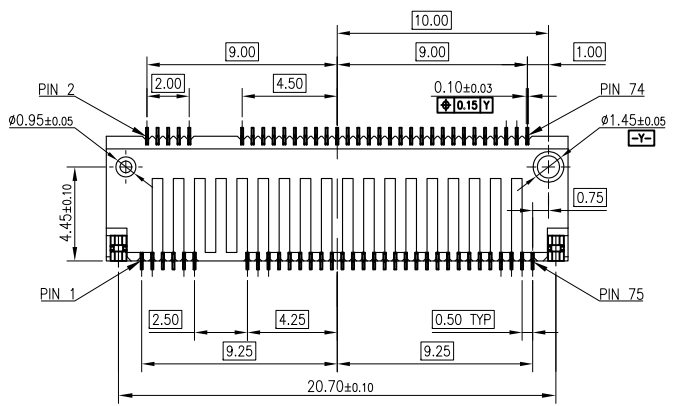
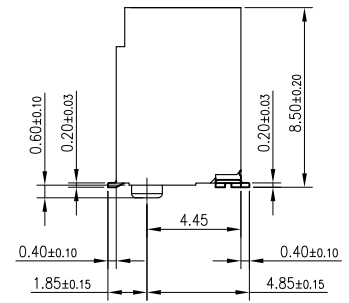
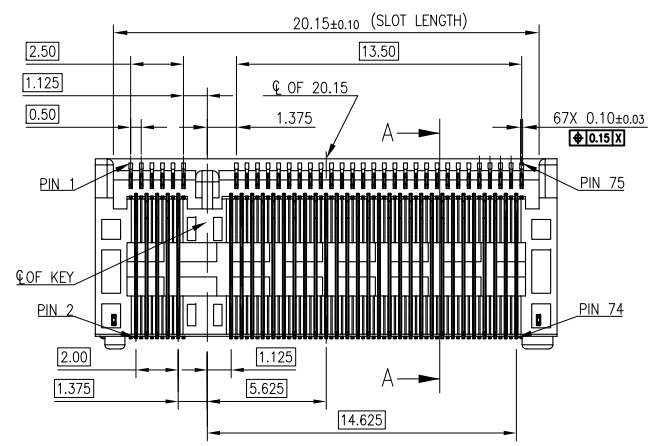
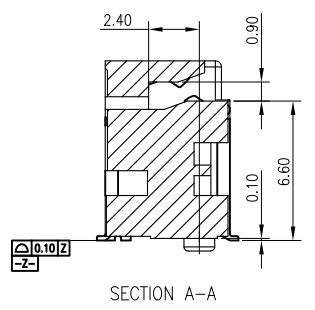
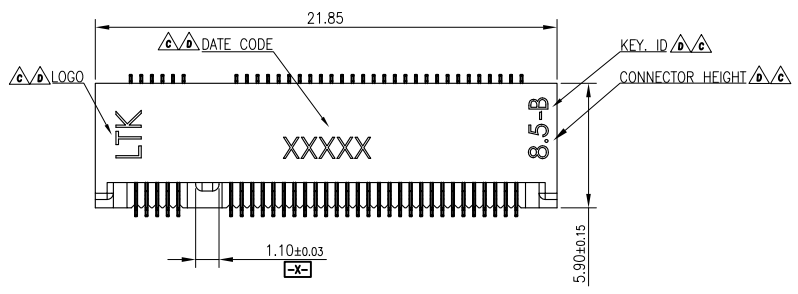
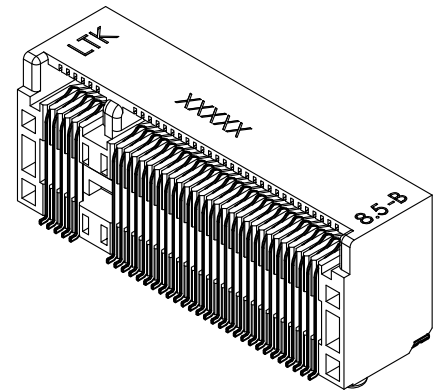
REV.	MODIFICATION	DATE	DRAW
C	ECN-2014014	2014.08.04	Michael
D	ECN-2014032	2014.10.22	Michael
E	ECN-2015003	2015.01.26	Michael

HALOGEN FREE **LEAD FREE**

NOTES:

- MATERIAL:**
HOUSING : THERMOPLASTIC , BLACK COLOR ,
FLAME RESISTANCE UL94-V0.
CONTACT : COPPER ALLOY
MOUNTING EAR : STAINLESS STEEL
- FINISHED:**
CONTACTS : GOLD PLATING ON CONTACT AREA
GOLD FLASH ON THE SOLDER AREA.
50~150u" NICKEL PLATING OVER ALL.
MOUNTING EAR : 100u" Min. MATTE TIN PLATING OVER ALL
50~150u" NICKEL UNDER PLATED OVER ALL.
- PART NUMBER:**

NXSB0-S67XX-XX85
 F: REEL W:32.0mm
 A: REEL W:44.0mm
 KEY ID: X0
 BO : SINGLE B KEY
 XX:CONTACT AREA
 GOLD PLATING
 01 : GOLD FLASH
 10 : 10u" Min
 XX : CONNECTOR HEIGHT
 85 : 8.50mm
 PACKING
 TP : TAPE REEL
 TS : TAPE REEL (REVERSE DIRECTION)

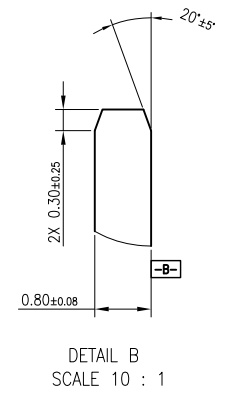
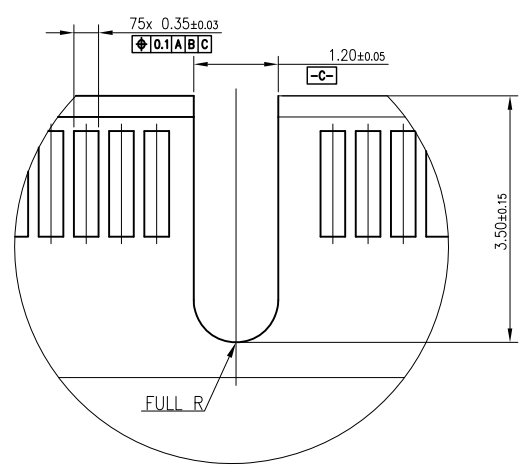
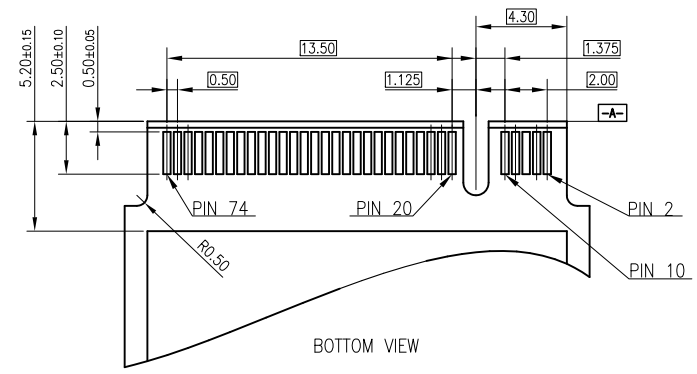
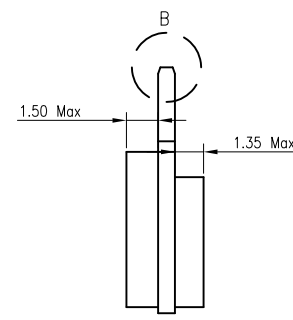
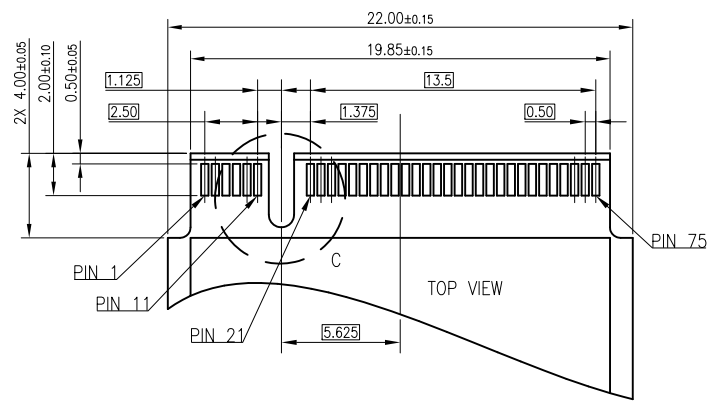


DIMENSION IN mm [Inch]		PROD. SPEC. SP-NAXXXL1
TOLERANCE UNLESS OTHERWISE SPECIFIED		PKG. SPEC. N/A
.X±0.35	X:± 2"	APR. Tony 2015.01.26
.XX±0.25	.X:±	CHK. Andy 2015.01.26
.XXX±0.15	.XX:±	DRA. Michael 2015.01.26

ARGOSY RESEARCH INC.			
TITLE: M.2(NGFF) CARD CONNECTOR 8.5H B KEY			
FILE NO. N/A	DWG NO. NXSB0-S67XX-XX85		
PROJ.	CUSTOMER DRAWING		
SIZE A4	SCALE 1:1	SHEET 1/3	REV. E C

REV.	MODIFICATION	DATE	DRAW
C	ECN-2014014	2014.08.04	Michael
D	ECN-2014032	2014.10.22	Michael
E	ECN-2015003	2015.01.26	Michael

HALOGEN FREE LEAD FREE



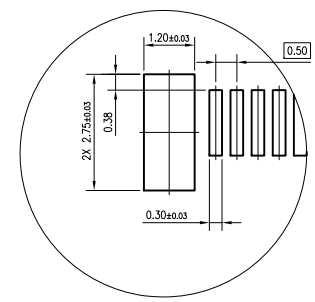
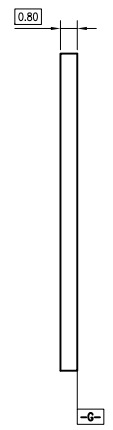
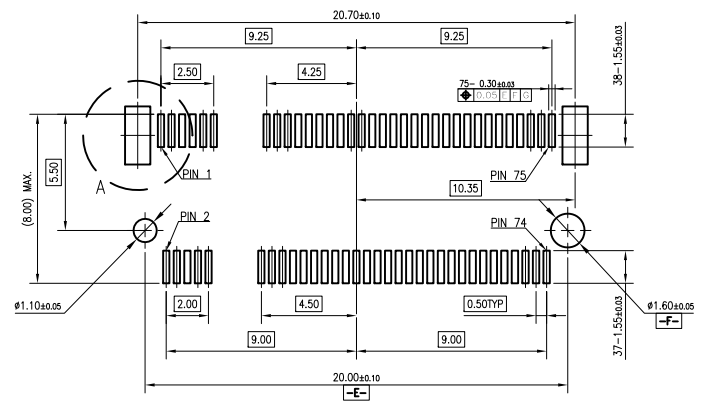
DIMENSION IN mm [Inch]		PROD. SPEC. SP-NAXXXL1	ARGOSY RESEARCH INC.		
TOLERANCE UNLESS OTHERWISE SPECIFIED		PKG. SPEC. N/A			
.X±0.35	X.*± 2"	APR. Tony 2015.01.26	TITLE: M.2(NGFF) CARD CONNECTOR 8.5H B KEY		
.XX±0.25	.X.*±	CHK. Andy 2015.01.26	FILE NO. N/A	DWG NO. NXSB0-S67XX-XX85	
.XXX±0.15	.XX.*±	DRA. Michael 2015.01.26	PROJ.	CUSTOMER DRAWING	
			SIZE A4	SCALE 1:1	SHEET 2/3
			REV. E	C	

DETAIL C
SCALE 10 : 1

DETAIL B
SCALE 10 : 1

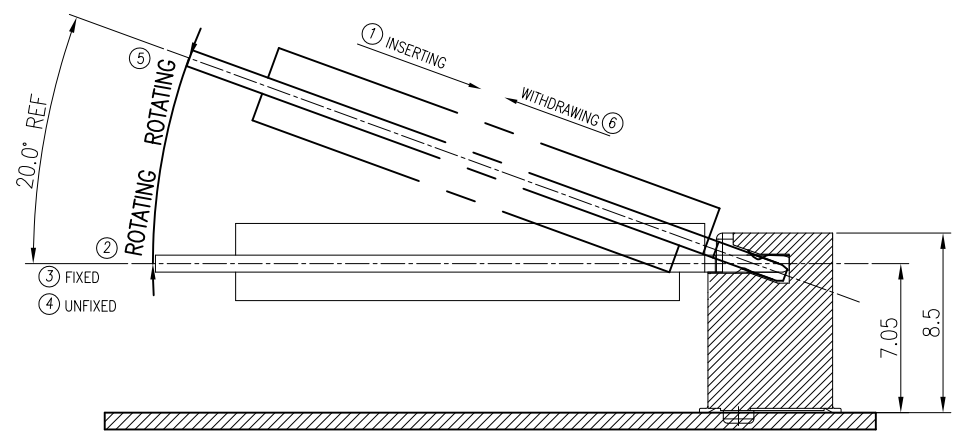
REV.	MODIFICATION	DATE	DRAW
C	ECN-2014014	2014.08.04	Michael
D	ECN-2014032	2014.10.22	Michael
E	ECN-2015003	2015.01.26	Michael

HALOGEN FREE LEAD FREE



DETAIL A
SCALE 10 : 1

RECOMMENDED PCB LAYOUT (TOP VIEW)
DEFAULT TOLERANCE ±0.05mm



HOW TO MATE AND UNMATE

MATING: ① INSERTING → ② ROTATING → ③ FIXED
UNMATING: ④ UNFIXED → ⑤ ROTATING → ⑥ WITHDRAWING

DIMENSION IN mm [Inch]		PROD. SPEC. SP-NAXXXL1	ARGOSY RESEARCH INC.				
TOLERANCE UNLESS OTHERWISE SPECIFIED		PKG. SPEC. N/A					
.X±0.35	X.*± 2'	APR. Tony 2015.01.26	TITLE: M.2(NGFF) CARD CONNECTOR 8.5H B KEY				
.XX±0.25	.X.*±	CHK. Andy 2015.01.26	FILE NO. N/A	DWG NO. NXSB0-S67XX-XX85			
.XXX±0.15	.XX.*±	DRA. Michael 2015.01.26	PROJ.	CUSTOMER DRAWING			
			SIZE A4	SCALE 1:1	SHEET 3/3	REV. E	C