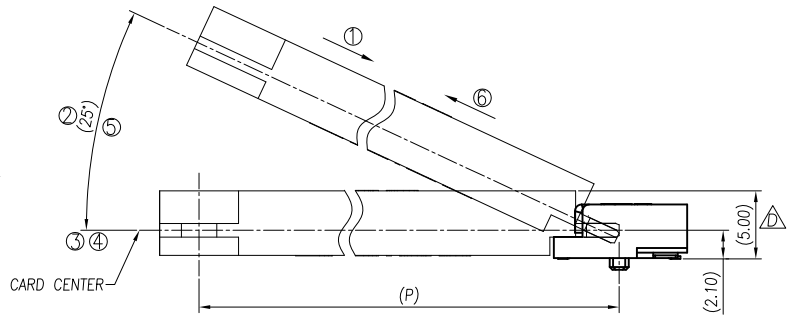
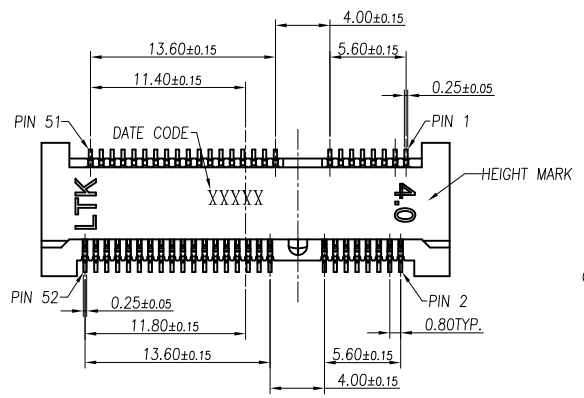
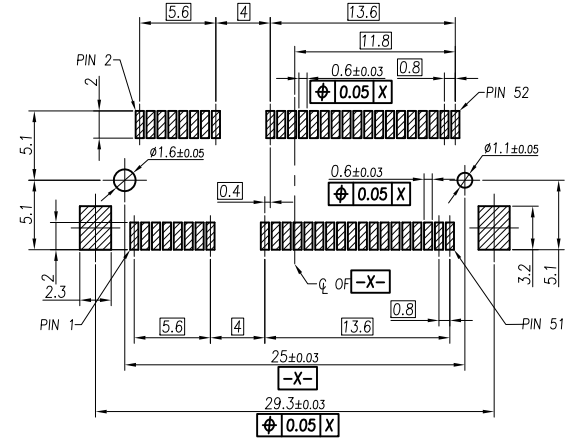


REV.	MODIFICATION	DATE	DRAW
B	ECR-2010021	2010.12.23	Leo
C	ECR-2011005	2011.03.08	Coco
D	ECN-2011050	2011.11.22	Coco

HALOGEN FREE **LEAD FREE**



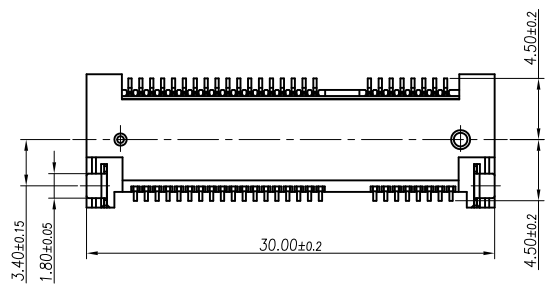
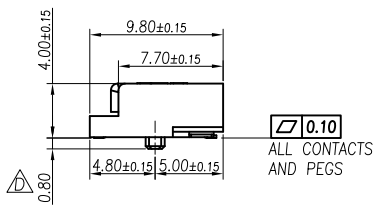
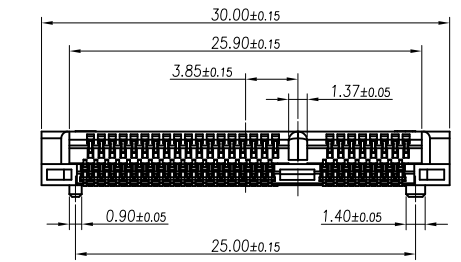
MATING: ① INSERTING(25°) → ② ROTATING → ③ FIXED
 UNMATING: ④ UNFIXED → ⑤ ROTATING → ⑥ WITHDRAWING



RECOMMEND PCB LAYOUT (MINIMUM THICKNESS OF THE PCB IS 0.8mm)
 (OTHER TOLERANCES ARE NOT MARKED: ±0.03)

- NOTES:
- MATERIAL:
 HOUSING: THERMOPLASTIC, BLACK COLOR, FLAME RESISTANCE UL94-V0.
 CONTACTS: COPPER ALLOY, THICKNESS 0.20mm.
 SOLDER PEGS: COPPER ALLOY, THICKNESS 0.2mm.
 - MSL LEVEL:
 MSL(MOISTURE SENSITIVITY LEVELS)=1
 - FINISHED:
 CONTACTS: GOLD PLATING ON CONTACT AREA AND 50~120u" MATTE TIN PLATING ON SOLDER AREA.
 30~120u" NICKEL UNDER-PLATING OVER ALL.
 SOLDER PEGS: 50~120u" MATTE TIN PLATING OVER 50~120u" NICKEL UNDER-PLATING OVER ALL.
 - PART NUMBER:
 MPCET-S52XX-TP40
 01: GOLD FLASH — TP: TAPE REEL
 05: 5U" MIN.
 10: 10U" MIN.
 15: 15U" MIN.
 30: 30U" MIN.

LINKTEK



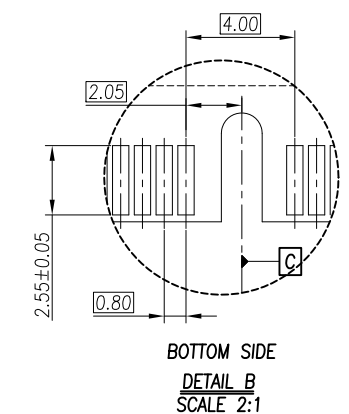
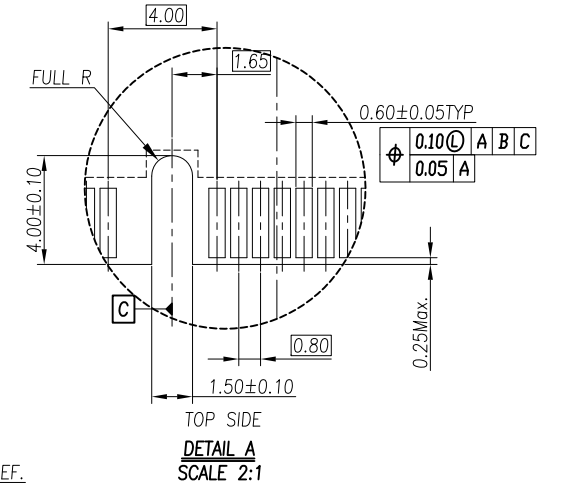
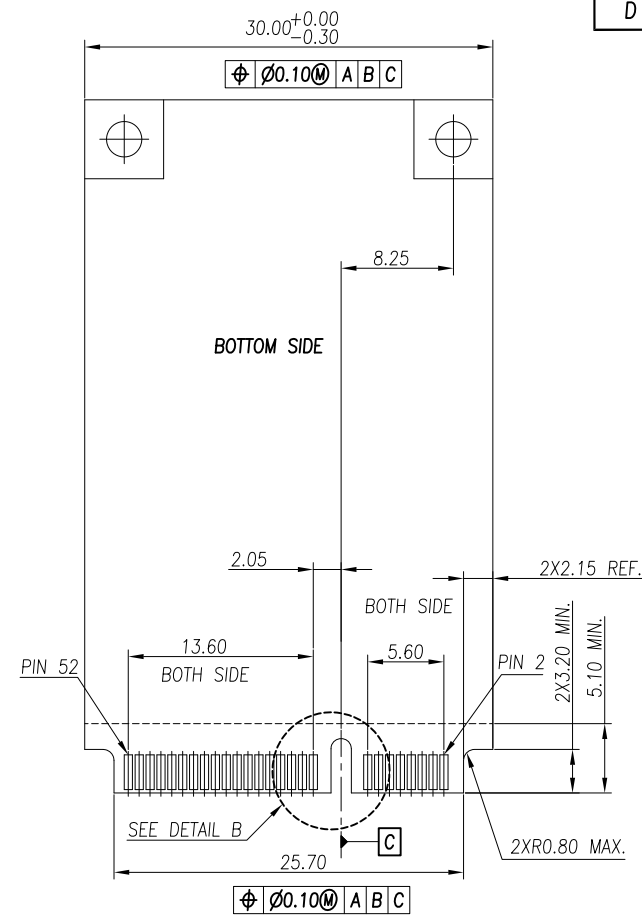
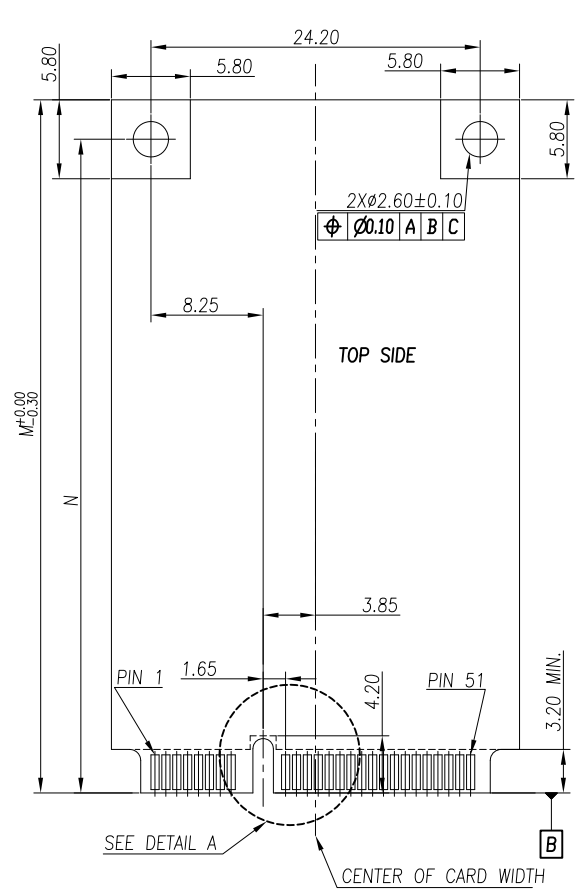
DIMENSION IN mm [Inch]		PROD. SPEC.
TOLERANCE UNLESS OTHERWISE SPECIFIED		SP-MPCXXL1
.X±0.35 X'±1'		PKG. SPEC. PK-MPCET-001
.XX±0.25 X'±		APR. Tony 2011.11.22
.XXX± .XX'±		CHK. Leo 2011.11.22
		DRA. Coco 2011.11.22

ARGOSY RESEARCH INC.

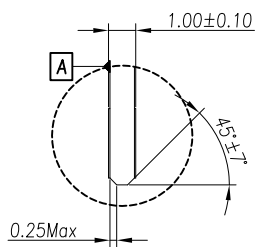
TITLE: MINI PCI EXPRESS 4.0H			
FILE NO. ARG-097	DWG NO. MPCET-S52XX-TP40		
PROJ.	CUSTOMER DRAWING		
SIZE A4	SCALE 1:1	SHEET 1/2	REV. D C

REV.	MODIFICATION	DATE	DRAW
B	ECR-2010021	2010.12.23	Leo
C	ECR-2011005	2011.03.08	Coco
D	ECN-2011050	2011.11.22	Coco

HALOGEN FREE LEAD FREE



LINKTEK



DIMENSION IN mm [Inch]		PROD. SPEC.
TOLERANCE UNLESS OTHERWISE SPECIFIED		SP-MPCXXL1
.X ± 0.35	X' ± 1 '	PKG. SPEC. PK-MPCET-001
.XX ± 0.25	.X' \pm	APR. Tony 2011.11.22
.XXX \pm	.XX' \pm	CHK. Leo 2011.11.22
		DRA. Coco 2011.11.22

	M	N	P
FULL-MINI CARD	50.95	48.05	48.05
HALF-MINI CARD	26.8	23.9	23.9

ARGOSY RESEARCH INC.

TITLE: MINI PCI EXPRESS 4.0H

FILE NO. ARG-097 DWG NO. MPCET-S52XX-TP40

PROJ. CUSTOMER DRAWING

SIZE A4 SCALE 1:1 SHEET 2/2 REV. D C