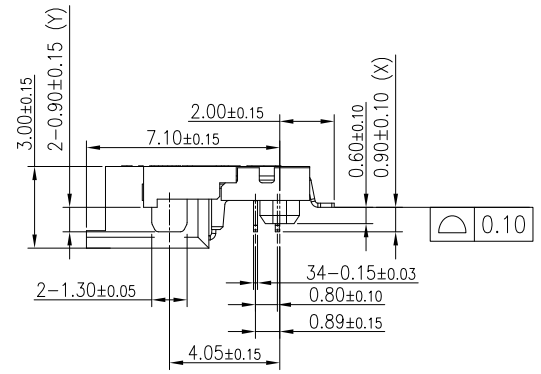
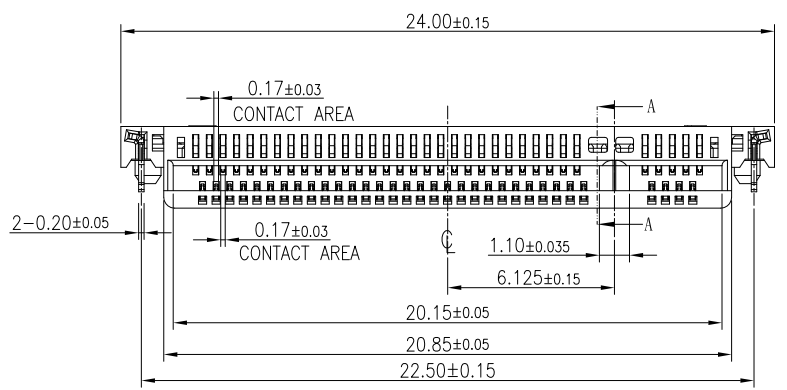
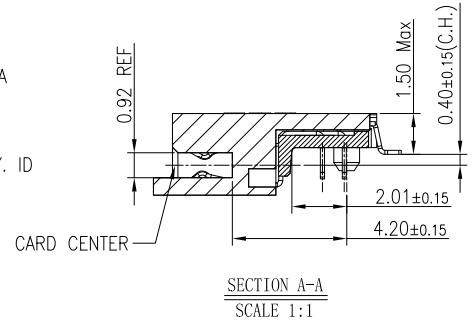
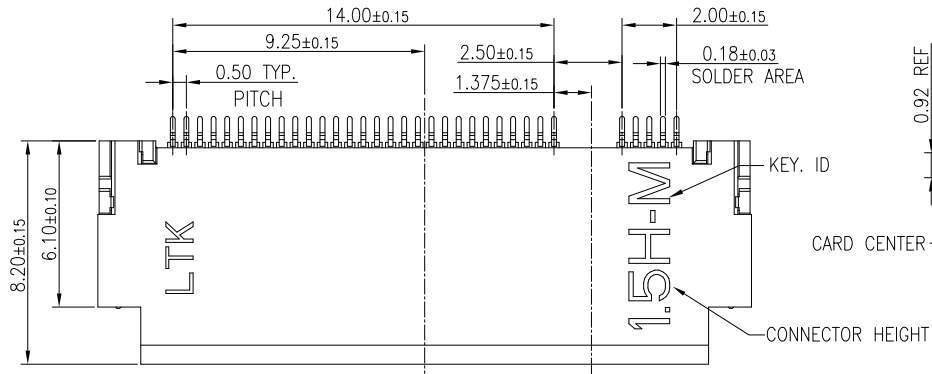
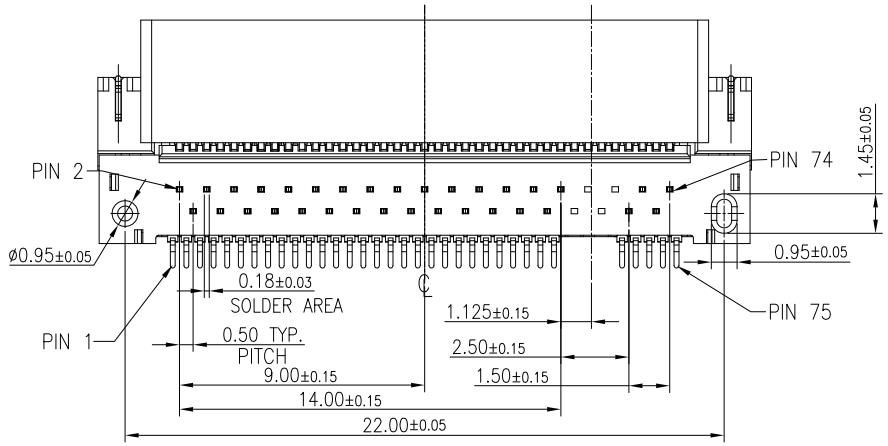


REV.	MODIFICATION	DATE	DRAW
A	INITIAL RELEASE	2014.10.07	Ann

HALOGEN FREE LEAD FREE



- NOTES:
- MATERIAL: HOUSING: THERMOPLASTIC, BLACK COLOR FLAME RESISTANCE UL94-V0. CONTACT: COPPER ALLOY SOLDER PEGS: COPPER ALLOY
  - FINISHED: CONTACTS: GOLD PLATING ON CONTACT AREA.(SEE P/N) 50~150u" MATTE TIN PLATING ON THE SOLDER AREA. 50~150u" NICKEL PLATING OVER ALL. SOLDER PEGS: 50~120u" MATTE TIN PLATING OVER ALL 50~150u" NICKEL UNDERPLATED OVER ALL.
  - MSL LEVEL: MSL(MOISTURE SENSITIVITY LEVEL)=1.
  - PART NUMBER: NXSM0-A67XX-XX15
    - A: REEL W:44.0mm.
    - F: REEL W:32.0mm.
    - A: DIM X&Y =0.90mm
    - 15:CONNECTOR HEIGHT 1.50mm
    - PACKING TP:TAPE REEL(NORMAL DIRECTION) TS:TAPE REEL(REVERSE DIRECTION)
    - XX:CONTACT AREA GOLD PLATING
      - 01:Gold Flash
      - 05: 5U"Min.
      - 10:10U"Min.
      - 15:15U"Min.

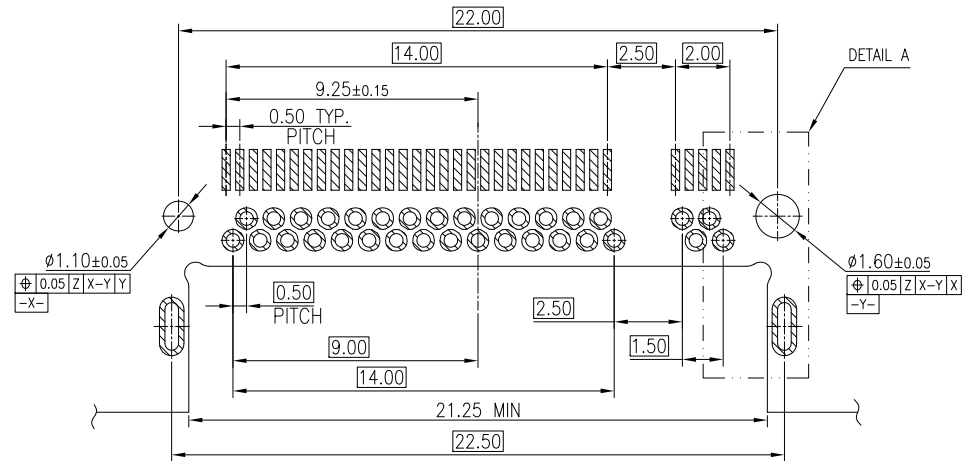


LINKTEK

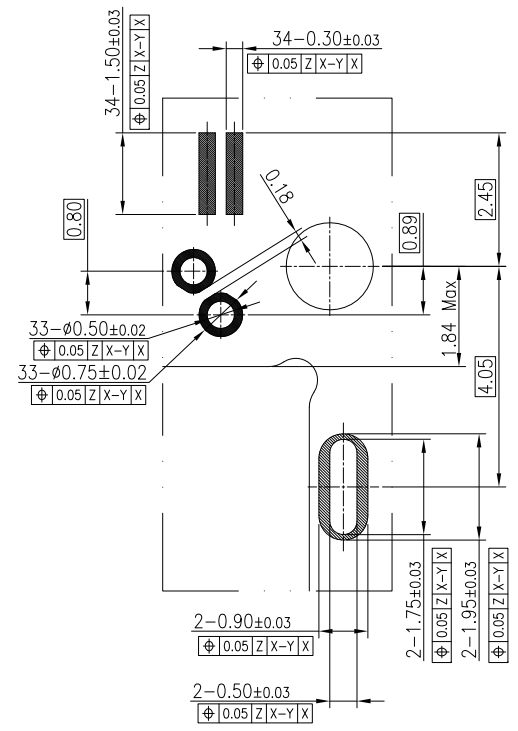
DIMENSION IN mm [Inch]		PROD. SPEC. SP-NXXXXL2	ARGOSY RESEARCH INC.	
TOLERANCE UNLESS OTHERWISE SPECIFIED		PKG. SPEC. PK-NXSCX-XXX	TITLE: M2(NGFF) SINKING 1.5H CH-0.4mm Connector DIP=0.90mm FOR M KEY	
.X±0.35	X.*± 1°	APR. Tony 2014.10.07	FILE NO. ARG-208	DWG NO. NXSM0-A67XX-XX15
.XX±0.25	.X*±	CHK. Leon 2014.10.07	CUSTOMER DRAWING	
.XXX±	.XX*±	DRA. Ann 2014.10.07	PROJ.	SIZE A4 SCALE 1:1 SHEET 1/3 REV. A C

REV.	MODIFICATION	DATE	DRAW
A	INITIAL RELEASE	2014.10.07	Ann

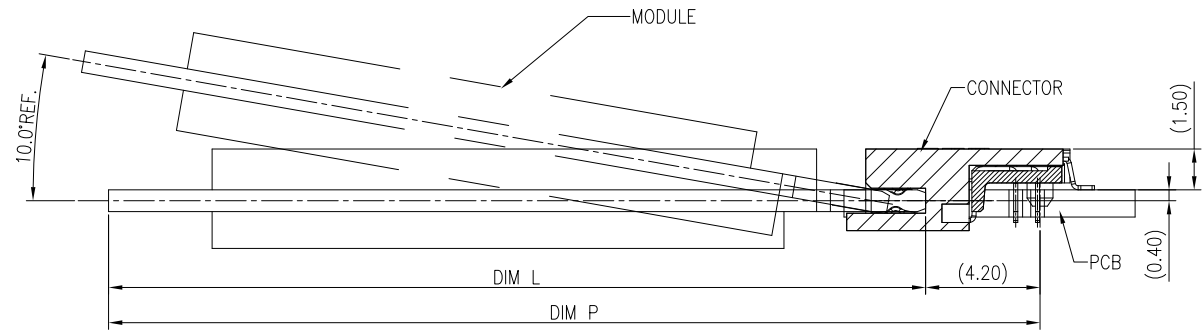
HALOGEN FREE LEAD FREE



RECOMMEND PCB LAYOUT(TOP VIEW)  
 (DATUM Z:PCB SOLDER SURFACE)  
 (THICKNESS:0.80±0.05mm)  
 (DEFAULT TOLERANCE:±0.05mm)



DETAIL A  
SCALE 2:1



HOW TO MATE AND UNMATE

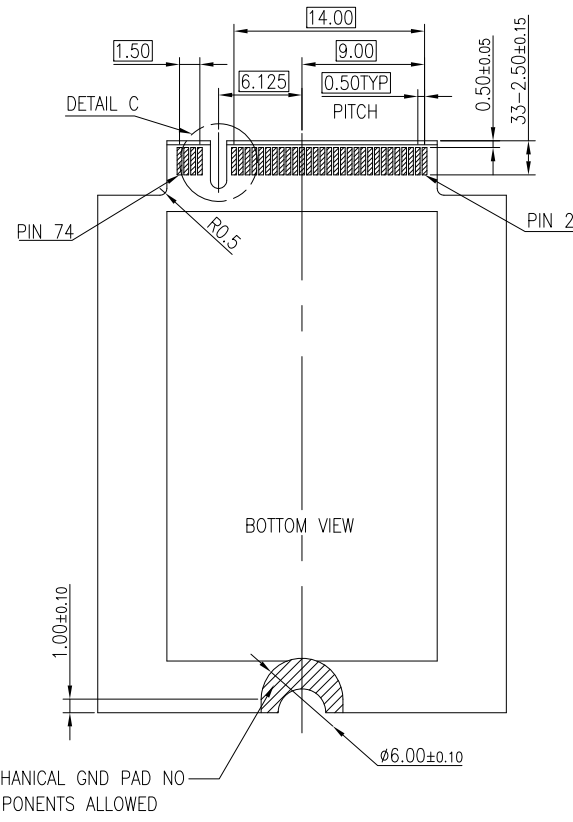
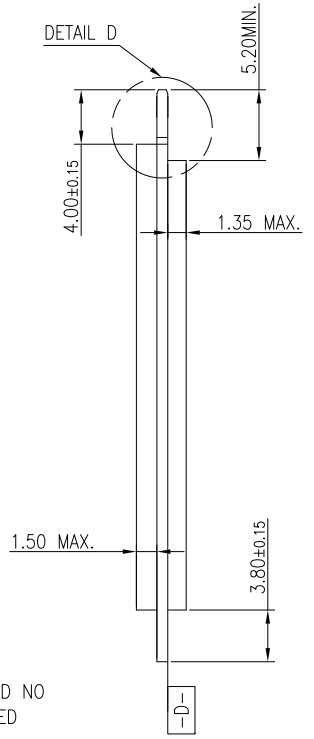
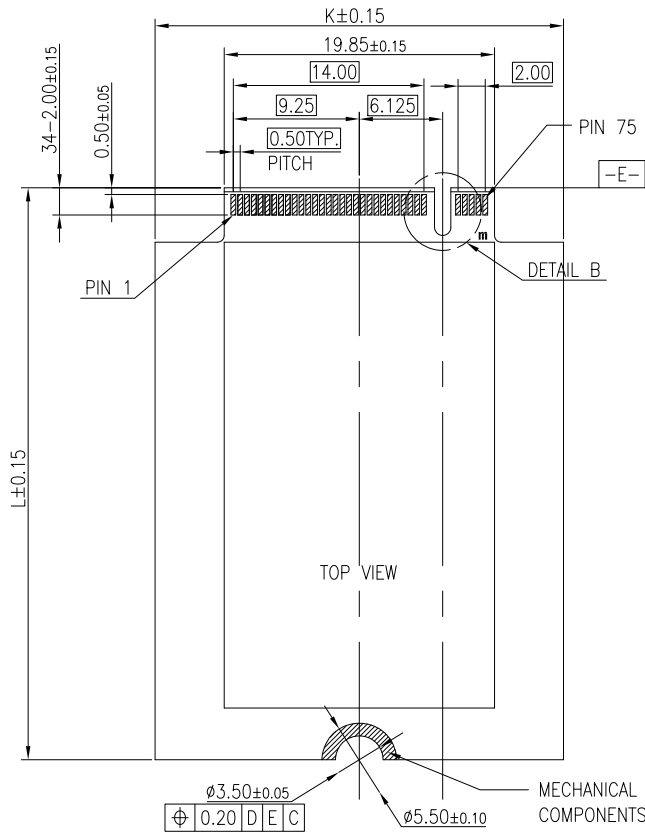
- MATING: ① INITIAL INSERTING(10°) → ② ROTATING → ③ FIXED  
 UNMATING: ④ UNFIXED → ⑤ ROTATING → ⑥ WITHDRAWING

LINKTEK

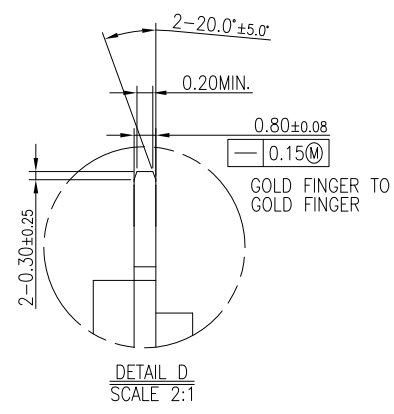
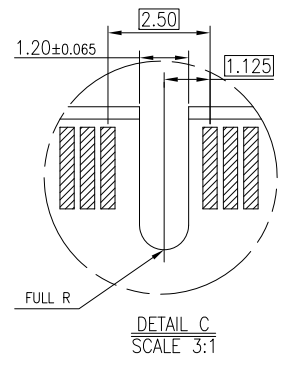
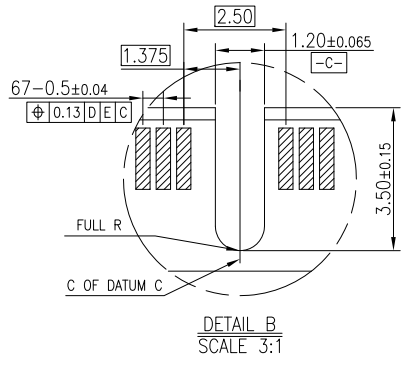
DIMENSION IN mm [Inch]		PROD. SPEC. SP-NXXXXL2	<b>ARGOSY</b> RESEARCH INC.		
TOLERANCE UNLESS OTHERWISE SPECIFIED		PKG. SPEC. PK-NXSXX-XXX			
.X±0.35	X.*± 1°	APR. Tony 2014.10.07	TITLE: M2(NGFF) SINKING 1.5H CH-0.4mm Connector DIP=0.90mm FOR M KEY		
.XX±0.25	.X.*±	CHK. Leon 2014.10.07	FILE NO. ARG-208	DWG NO. NXSM0-A67XX-XX15	
.XXX±	.XX.*±	DRA. Ann 2014.10.07	PROJ.	CUSTOMER DRAWING	
		SIZE A4	SCALE 1:1	SHEET 2/3	REV. A C

REV.	MODIFICATION	DATE	DRAW
A	INITIAL RELEASE	2014.10.07	Ann

HALOGEN FREE LEAD FREE



30.00	110.00	114.20
	80.00	84.20
	60.00	64.20
22.00	42.00	46.20
	30.00	34.20
DIM. K	DIM. L	DIM. P



LINKTEK

DIMENSION IN mm [Inch]		PROD. SPEC. SP-NXXXXL2	ARGOSY RESEARCH INC.		
TOLERANCE UNLESS OTHERWISE SPECIFIED		PKG. SPEC. PK-NXSXX-XXX	TITLE: M2(NGFF) SINKING 1.5H CH-0.4mm Connector DIP=0.90mm FOR M KEY		
.X±0.35	X.*± 1°	APR. Tony 2014.10.07	FILE NO. ARG-208	DWG NO. NXSM0-A67XX-XX15	
.XX±0.25	.X.*±	CHK. Leon 2014.10.07	PROJ.  CUSTOMER DRAWING		
.XXX±	.XX.*±	DRA. Ann 2014.10.07	SIZE A4	SCALE 1:1	SHEET 3/3 REV. A C