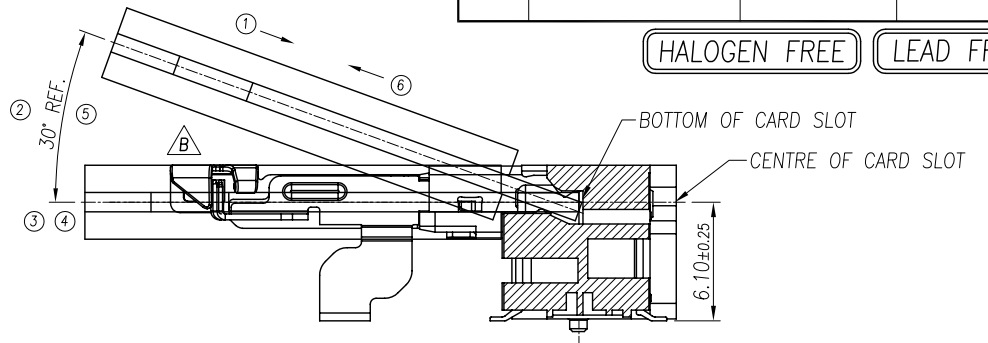


REV.	MODIFICATION	DATE	DRAW
A	INITIAL RELEASE	2012.03.22	Coco
B	ECN-2013014 ECN-2013021	2013.09.25	Coco

HALOGEN FREE **LEAD FREE**



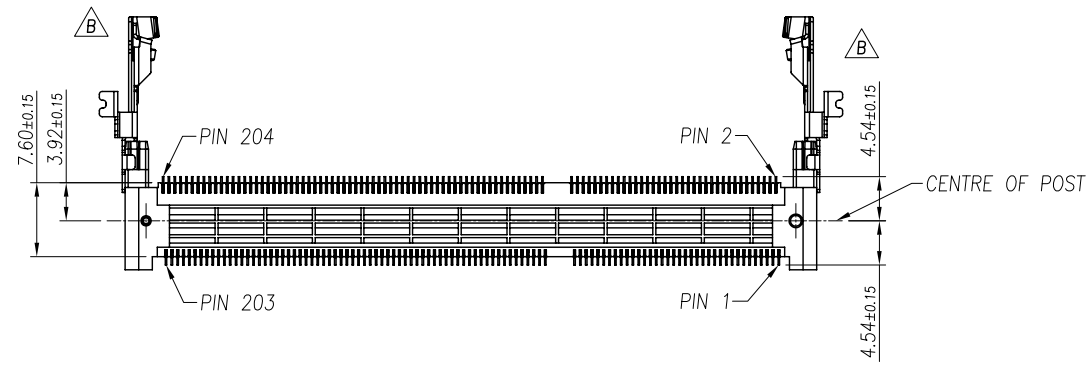
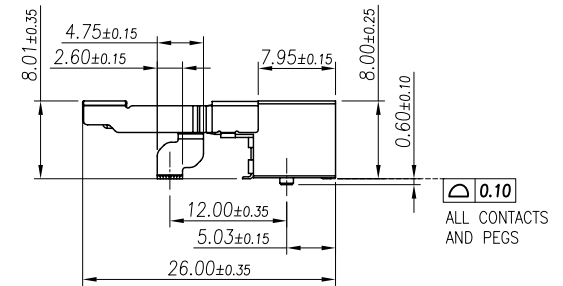
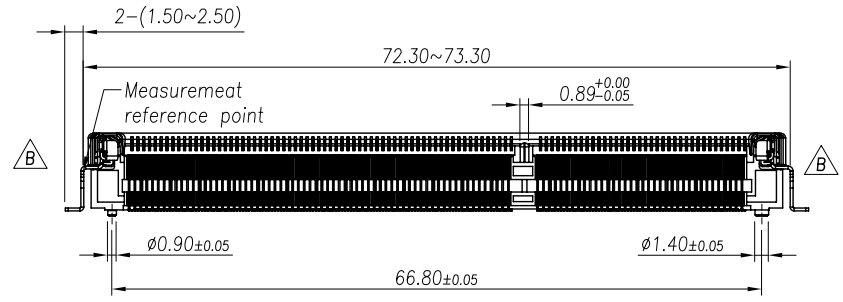
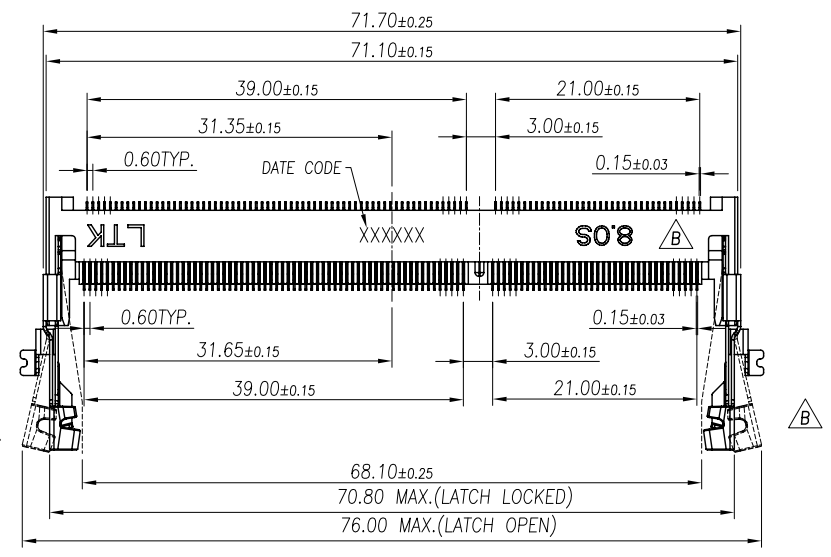
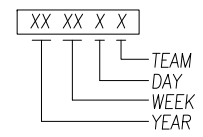
MATING:
 MATING: ① INSERTING(30°) → ② ROTATING → ③ FIXED
 UNMATING: ④ UNFIXED → ⑤ ROTATING → ⑥ WITHDRAWING

MATING/UNMATING VIEW
 SCALE 2:1

- NOTES
- MATERIAL
 HOUSING: THERMOPLASTIC UL94V-0 COLOR BLACK
 CONTACT: COPPER ALLOY, T=0.15mm.
 LATCH: SUS, T=0.30mm.
 PEG: SUS, T=0.30mm.
 - FINISH
 CONTACT: GOLD PLATING ON CONTACT AREA AND
 1~3u" GOLD PLATING ON SOLDER AREA
 50~150u" NICKEL UNDER-PLATING OVER ALL
 PEG: 80~150u" MATTE TIN PLATING OVER ALL
 50~150u" NICKEL UNDER-PLATING OVER ALL
 - MSL LEVEL:
 MSL(MOISTURE SENSIVITY LEVEL)=1.
 - PART NO. : DS2SK-204XX-XX8D

PLATING CONTACT
 01 : GOLD FLASH
 05 : GOLD 5u"Min.
 10 : GOLD 10u"Min.

PACKING
 TR: TRAY
 TP: TAPE REEL



DIMENSION IN mm [Inch]		PROD. SPEC.
TOLERANCE UNLESS OTHERWISE SPECIFIED		SP-DSXXXL1
.X±0.35	X.*±1°	PKG. SPEC. PK-DSXXX-001
.XX±0.25	.X.*±	APR. Tony 2013.09.25
.XXX±	.XX.*±	CHK. Leon 2013.09.25
		DRA. Coco 2013.09.25

ARGOSY RESEARCH INC.

TITLE: DDR III 8.0H STD CONNECTOR			
FILE NO. ARG-136	DWG NO. DS2SK-204XX-XX8D		
PROJ.	CUSTOMER DRAWING		
SIZE A4	SCALE 1:1	SHEET 1/3	REV. B C

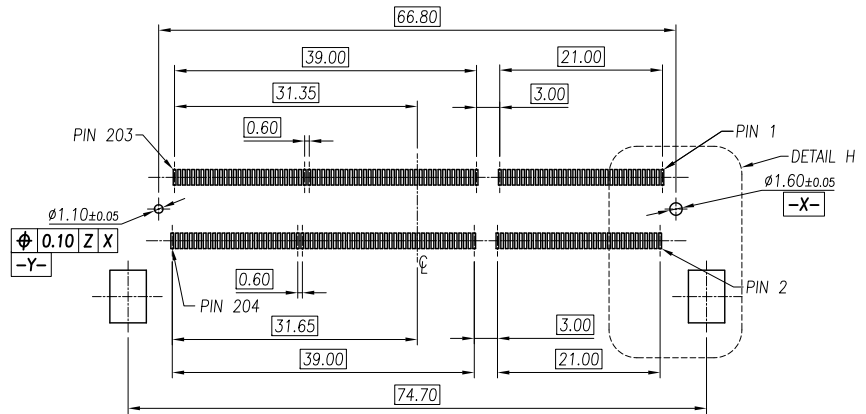
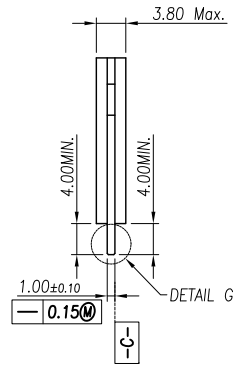
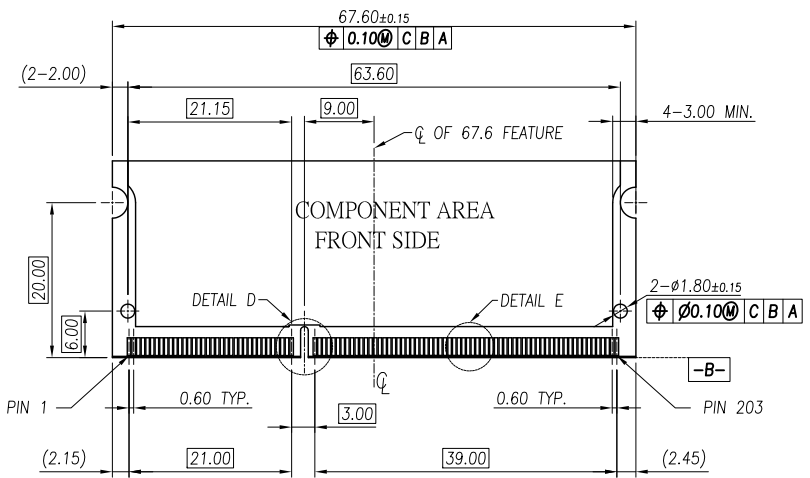
LINKTEK

REV.	MODIFICATION	DATE	DRAW
A	INITIAL RELEASE	2012.03.22	Coco
B	ECN-2013014 ECN-2013021	2013.09.25	Coco

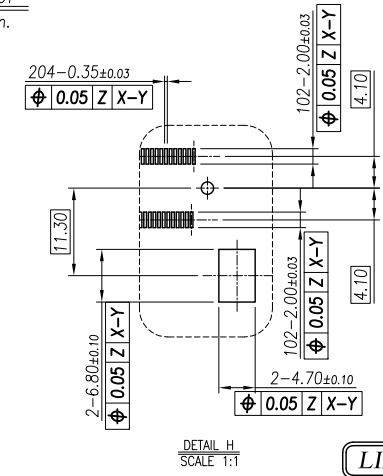
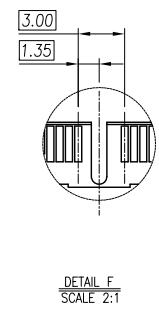
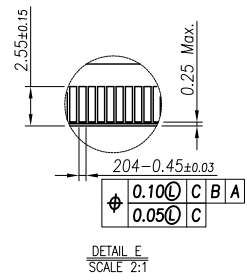
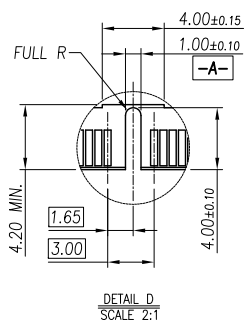
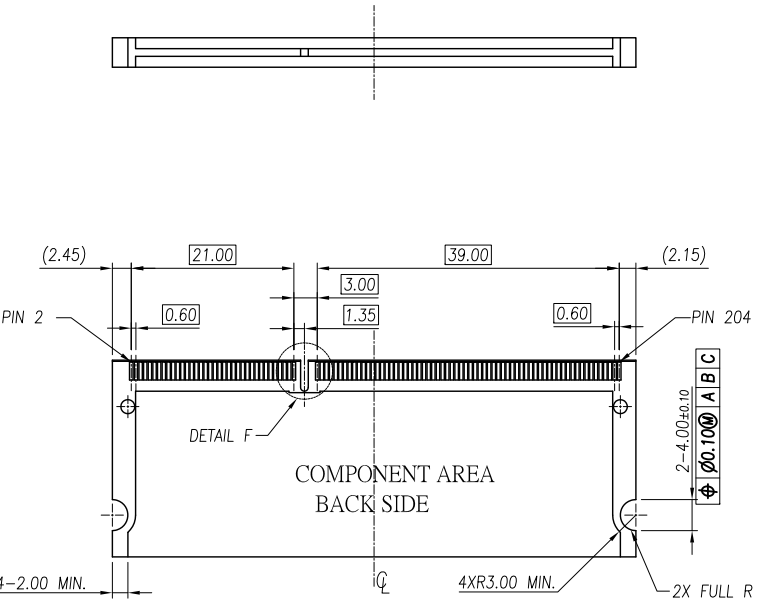
HALOGEN FREE LEAD FREE

A
B
C
D
E
F

A
B
C
D
E
F



RECOMMEND P.C. BOARD LAYOUT
PCB THICKNESS 0.80mm Min.
TOLERANCE: ±0.05
(-Z-:PCB SURFACE)



LINKTEK

RECOMMEND MODULE CONFIGURATION

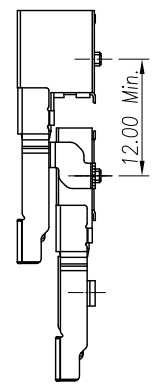
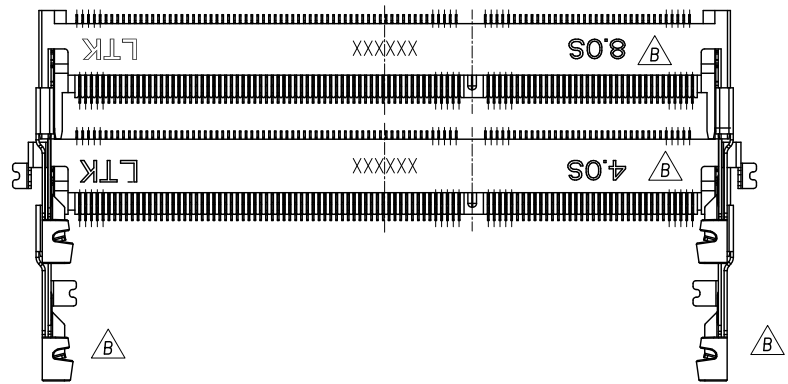
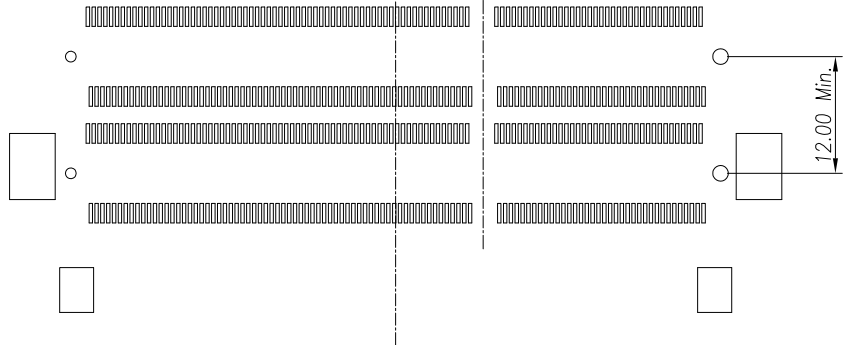
DIMENSION IN mm [Inch]		PROD. SPEC.
TOLERANCE UNLESS OTHERWISE SPECIFIED		SP-DSXXXL1
		PKG. SPEC.
		PK-DSXXX-001
.X±0.35	X*±1°	APR. Tony 2013.09.25
.XX±0.25	.X*±	CHK. Leon 2013.09.25
.XXX±	.XX*±	DRA. Coco 2013.09.25

ARGOSY RESEARCH INC.

TITLE: DDR III 8.0H STD CONNECTOR			
FILE NO. ARG-136	DWG NO. DS2SK-204XX-XX8D		
PROJ.	CUSTOMER DRAWING		
SIZE A4	SCALE 1:1	SHEET 2/3	REV. B C

REV.	MODIFICATION	DATE	DRAW
A	INITIAL RELEASE	2012.03.22	Coco
B	ECN-2013014 ECN-2013021	2013.09.25	Coco

HALOGEN FREE LEAD FREE



LINKTEK

DIMENSION IN mm [Inch]		PROD. SPEC. SP-DSXXXL1	ARGOSY RESEARCH INC.		
TOLERANCE UNLESS OTHERWISE SPECIFIED		PKG. SPEC. PK-DSXXX-001			
.X±0.35	X.*± 1°	APR. Tony 2013.09.25	TITLE: DDR III 8.0H STD CONNECTOR		
.XX±0.25	.X*±	CHK. Leon 2013.09.25	FILE NO. ARG-136	DWG NO. DS2SK-204XX-XX8D	
.XXX±	.XX*±	DRA. Coco 2013.09.25	PROJ.	CUSTOMER DRAWING	
			SIZE A4	SCALE 1:1	SHEET 3/3
				REV. B	C