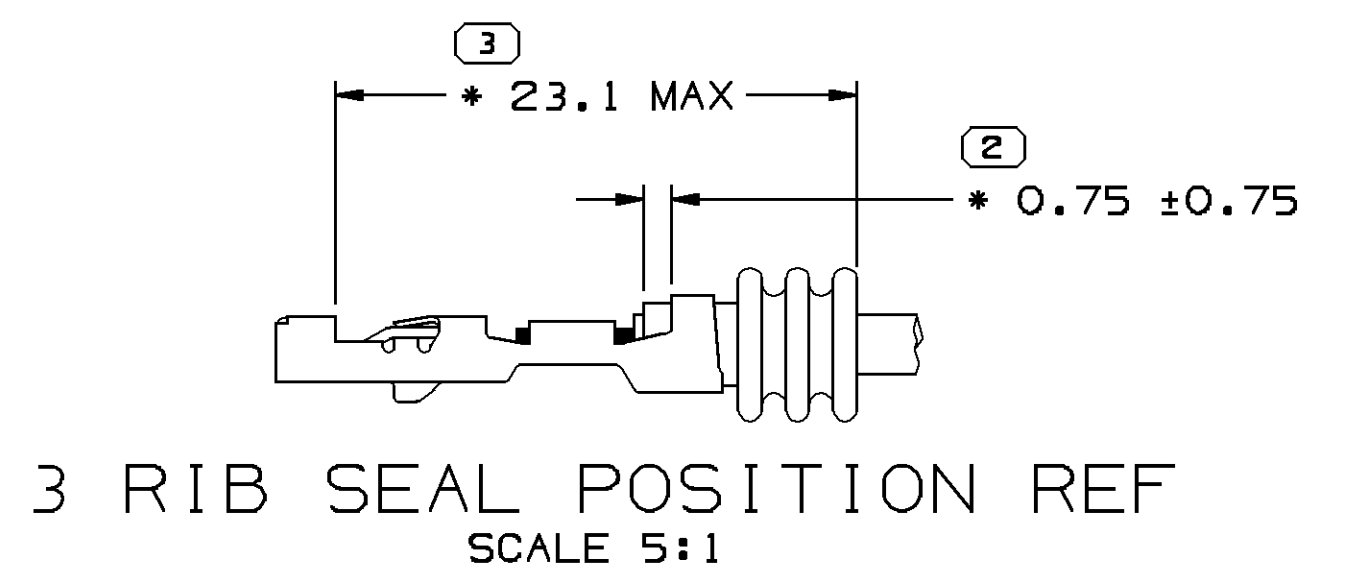
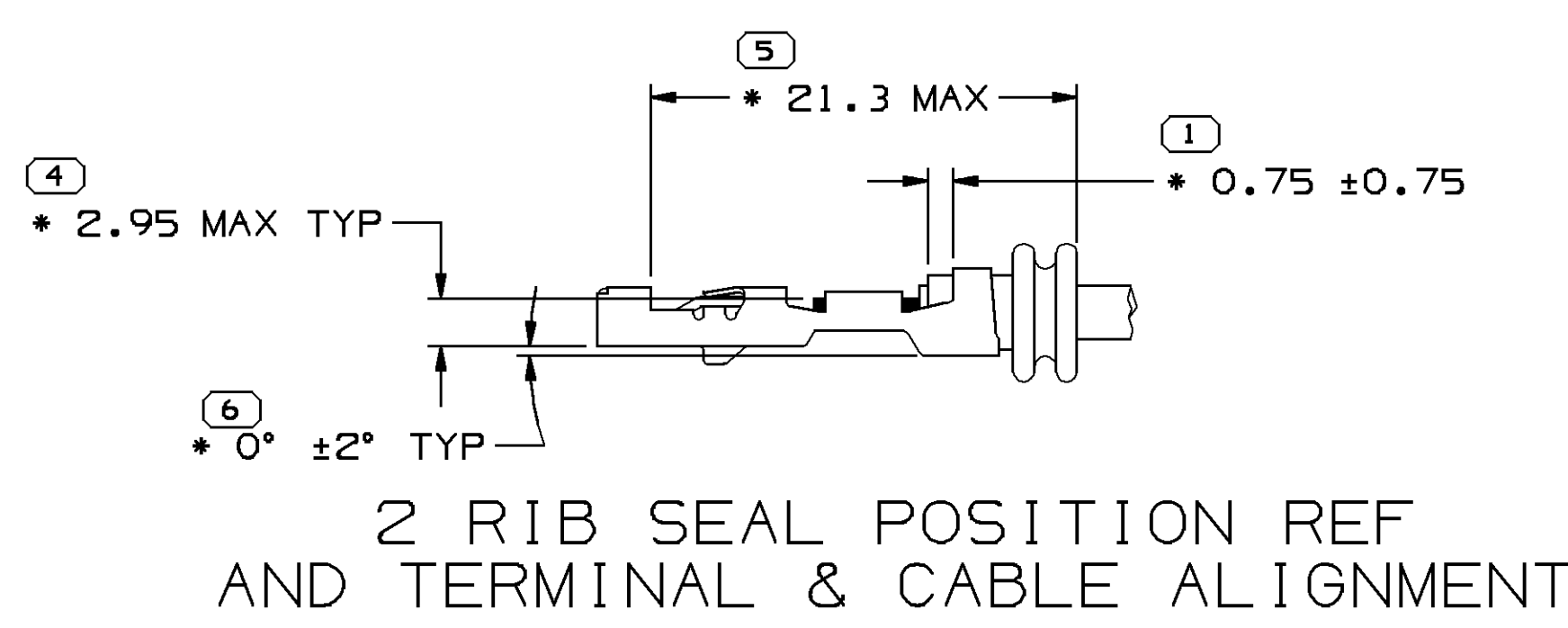
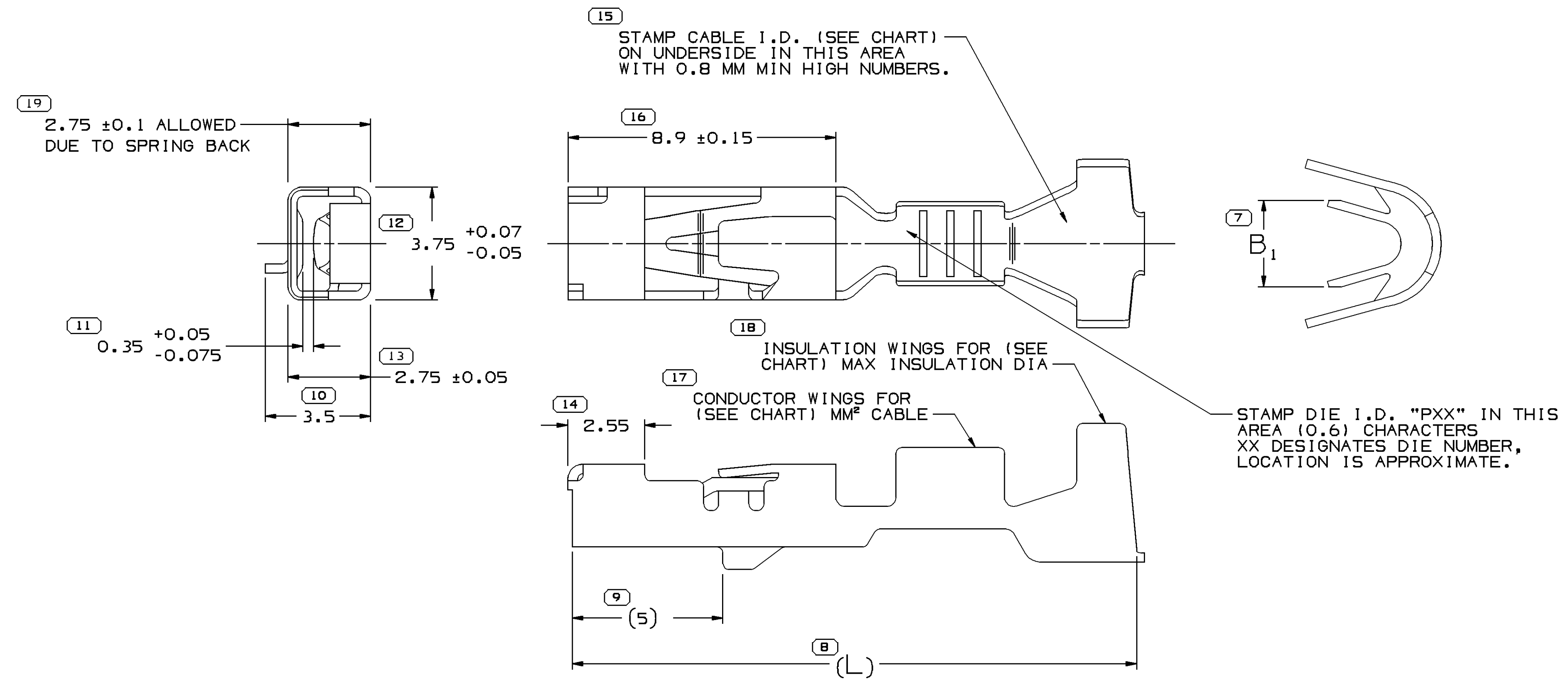


SYMBOL DEFINITION		MISSING SYMBOLS	
A DIMENSION WITHOUT AN INSPECTION REPORT SYMBOL () DOES NOT REQUIRE INSPECTION. IT MAY BE CONTROLLED ON THE INDIVIDUAL COMPONENT DRAWING.	TOTAL NO OF INSPECTIONS REQUIRED	NO MISSING SYMBOL NUMBER	19
	LAST NO. USED		19

DWG STATUS				ZONE	REVISION HISTORY	AUTH	DR	APVD1	APVD2
DATE	STG	REV	N/P						
30JL02	R	14	-	-	CLEARED REV COL & ALL PARTS - UPDATED PDM ATTRIBUTES	226419	JHN	FRG	TTP
05FE03	R	15	-	-	REVISED NOTE SYMBOL 277 IN TQD	236543	LMB	LMB	SCH
22JL03	R	16	-	-	ADDED DIM 2.75±0.1 FOR SPRING BACK	243779	RH	RH	SCH
24SE04	R	17	-	-	ALL PARTS ADD STAMP DIE I.D.	259075	MDH	AUG	MKM
15AU05	R	18	-	-	15304718 - UPDATED PDM ATTRIBUTES	271195	JBD	FRG	MJC
07JN07	R	19	-	-	15304718 - UPDATED PDM ATTRIBUTES	401618	JBD	AUG	EJH



- NOTES
- UNLESS OTHERWISE SPECIFIED AND/OR INDICATED: DIMENSIONS ARE TO FACE OF VIEW SHOWN AND AUTOMATICALLY ROUNDED BY COMPUTER FOR INSPECTION. (SEE MATH MODEL FOR PRECISE DIMENSIONS.) FOR ALL OTHER DIMENSIONS NOT SHOWN BUT REQUIRED FOR TOOL BUILD, SEE MATH MODEL FOR PRECISE TOOL PATH DATA.
 - MATING COMPONENTS OR EQUIVALENT: TERMINAL 15304730
 - * DENOTES DIMENSIONS MADE AT CUT-OFF AND CRIMP DIE.
 - DO NOT PROBE, TEST OR OTHERWISE CONTACT THE INTERIOR REGION (THE SPRING OR ANY MOVING PART) OF THIS TERMINAL. SEVERE DAMAGE CAN OCCUR, COMPROMISING THE PERFORMANCE OF THE ELECTRICAL INTERFACE.

PART NO	REV	N/P	STATUS	MAT'L SIZE	MAT'L SPEC	SIZE (MM²)	ID	DIA	TYPE	B ₁ ±0.2	(L)
15336199	B4	-		0.3 X 27.38	M3659A23 C42500 EX HD	1.25 - 2.5	14	2.05 - 3	101	3.7	18.9
15304720	E5	-		0.3 X 27.38	M3659A23 C42500 EX HD	1.5 - 3	13	3.2 - 2.2	101	3.75	18.9
15304719	E5	-		0.3 X 27.38	M3659A23 C42500 EX HD	0.75 - 1	17	2.25 - 1.7	101	2.65	18.9
15304718	E6	-		0.3 X 27.38	M3659A23 C42500 EX HD	0.35 - 0.5	21	1.85 - 1.2	101	2.1	18.9
				PLATED		CABLE					

DIMENSIONAL RANGE (MM)		CHART D
FROM	TO	
0	12	> 12
TOLERANCE UNLESS OTHERWISE SPECIFIED		
±0.1		±0.2
ANGULAR TOLERANCE ±2°		

DWG TYPE: PART DRAWING

STYLE: []

VOLUME (C/P): []

DISTR CODE: D

UNLESS OTHERWISE SPECIFIED

THIS DOCUMENT IS IN ACCORDANCE WITH ASME Y14.5M-1994 AS AMENDED BY THE 01 GLOBAL DIMENSIONING AND TOLERANCING ADDENDUM - 1997. ALL GEOMETRIC TOLERANCES AND RELATED DATUMS APPLY RFS. RULE #1 (PERFECT FORM AT ALL TIMES) DOES NOT APPLY WHEN RELATIONSHIP BETWEEN FEATURES IS ESTABLISHED BY ORIENTATION OR LOCATION TOLERANCES. SEPARATE POSITION CALLOUTS MAY BE GAGED SEPARATELY, REGARDLESS OF DATUM REFERENCE. ALL DIMENSIONS ARE IN MILLIMETERS

REFERENCE:

THIRD ANGLE PROJECTION

DO NOT SCALE

USE MATH DATA

UNIGRAPHICS

DELPHI

DELPHI PACKARD ELECTRICAL/ELECTRONIC ARCHITECTURE
WARREN, OH

DR	DATE
APVD1 N. VERGARA	06FE96
APVD2 T. STLEELE	08JN96
APVD3 S.C. HSIEH	28JN96
APVD4	
APVD5	

SUBSTANCES OF CONCERN AND RECYCLED CONTENT PER DELPHI 10949001

MATERIAL SEE CHART

DRAWING NAME: TAXI TERM F 0T 280 SEALED

DRAWING NUMBER: 15304714

SIZE	SCALE	FRAME NO	SHEET NO	STG	REV	N/P
A1	10:1	1 OF 1	1 OF 2	R	19	-