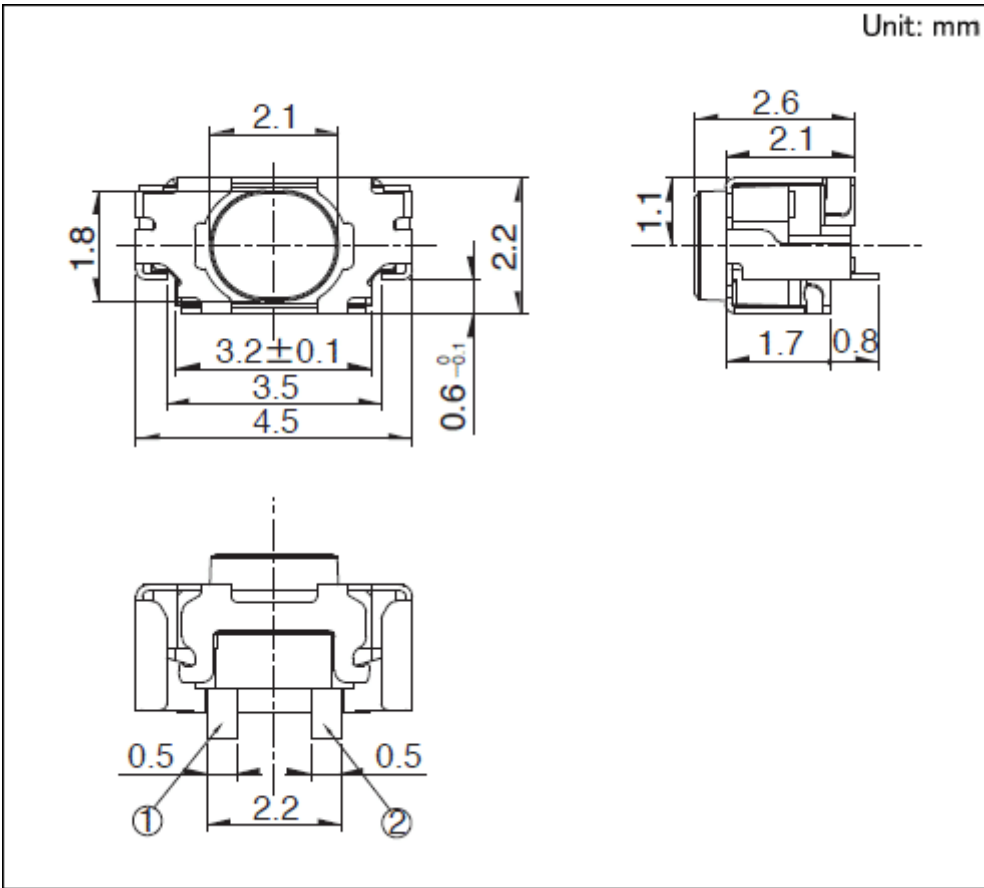




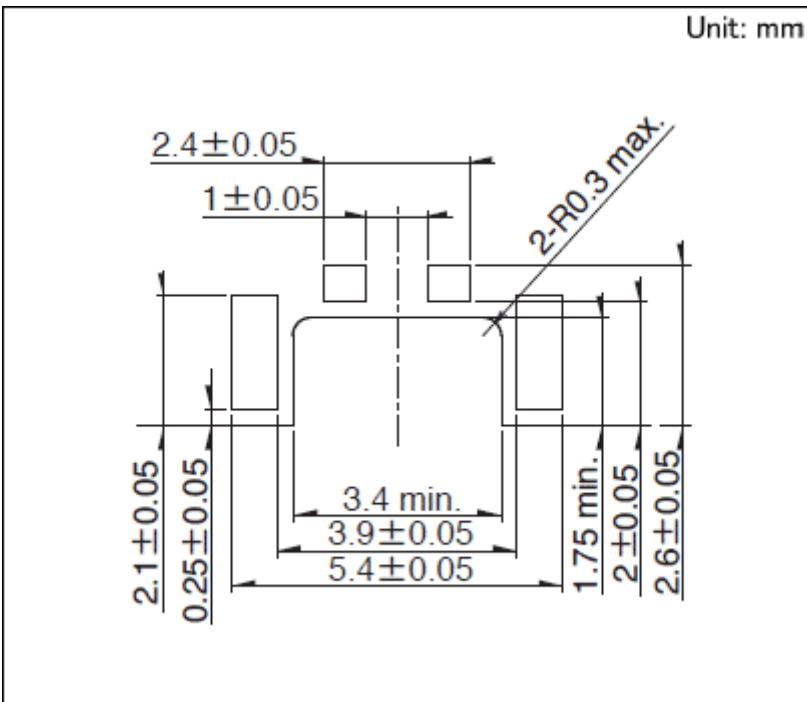
## Side Push Half-mount Type with 1.6mm Height (Surface Mount) SKSL Series

|                               |                       |  |
|-------------------------------|-----------------------|--|
| Type                          | Surface mount         |  |
| Operating force               | 3.5N                  |  |
| Operating direction           | Side push             |  |
| Travel                        | 0.15mm                |  |
| Operating life<br>(5mA 5V DC) | 100,000 cycles        |  |
| Initial contact resistance    | 500mΩ max.            |  |
| Series type                   | Sharp feeling type    |  |
| Operating temperature range   | -40°C to +90°C        |  |
| Rating (max.)                 | 50mA 12V DC           |  |
| Rating (min.)                 | 10μA 1V DC            |  |
| Electrical performance        | Insulation resistance | 100MΩ min. 100V DC for 1min.   |
|                               | Voltage proof         | 250V AC for 1 min.   |
| Durability                    | Vibration             | 10 to 55 to 10Hz/min., the amplitude is 1.5mm for all the frequencies, in the 3 direction of X, Y and Z for 2 hours respectively |
| Environmental performance     | Cold                  | -40°C for 96h  |
|                               | Dry heat              | 90°C for 96h   |
|                               | Damp heat             | 60±2°C, 90 to 95%RH for 96h  |
| Minimum order unit<br>(pcs.)  | Japan                 | 4,400  |
|                               | Export                | 4,400  |

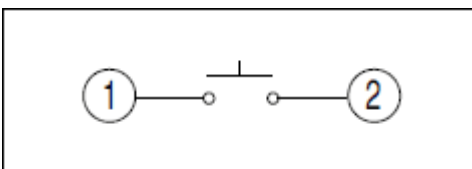
### Dimensions



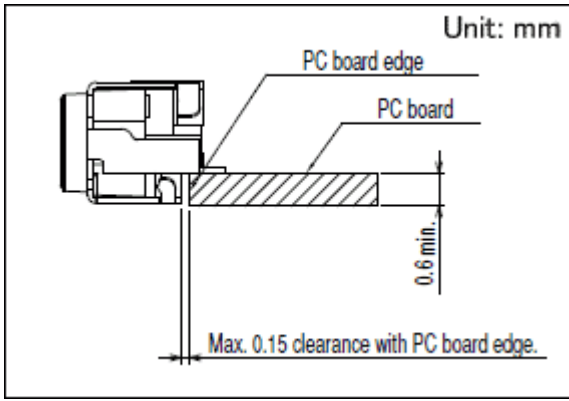
### Land Dimensions



### Circuit Diagram

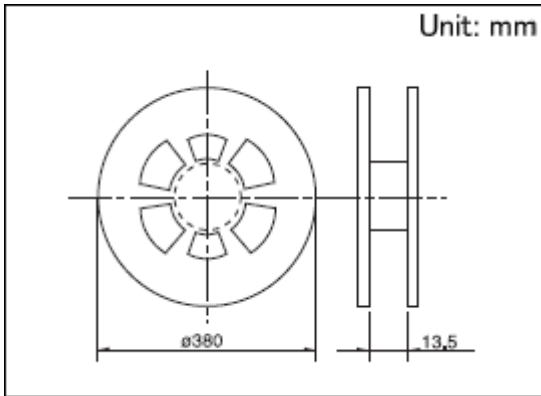


### Mounting Location of Switch



## Packing Specifications

### Taping



|                                  |             |
|----------------------------------|-------------|
| Number of packages 1 reel (pcs.) | 4,400       |
| 1 case / Japan                   | 44,000      |
| 1 case / export packing          | 44,000      |
| Tape width (mm)                  | 12          |
| Export package measurements (mm) | 395×395×205 |

## Soldering Conditions

### Condition for Reflow

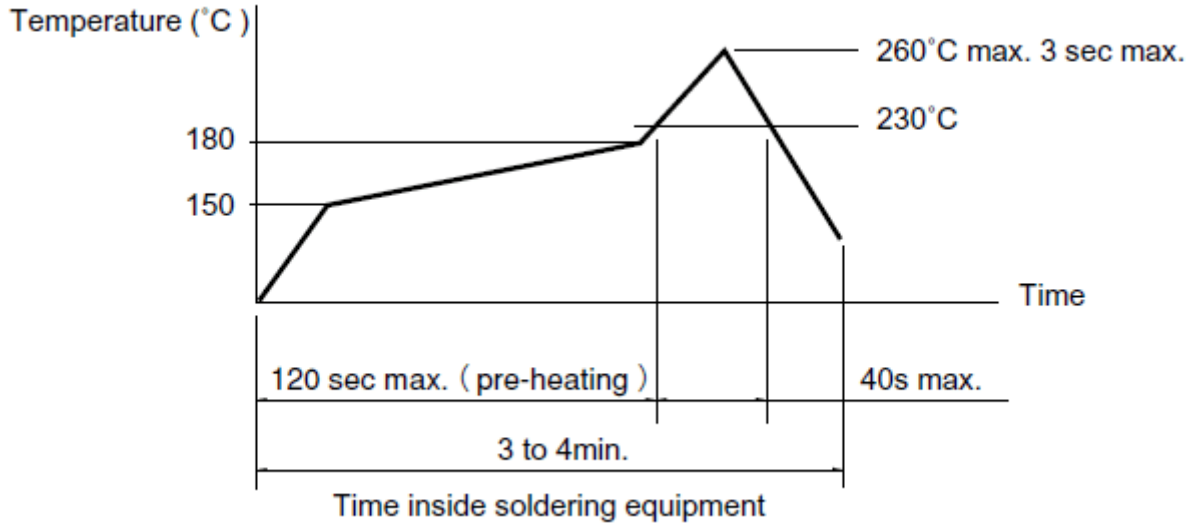
#### 1. Heating method

Double heating method with infrared heater.

#### 2. Temperature measurement

Thermocouple 0.1 to 0.2 Φ CA(K) or CC(T) at solder joints (copper foil surface). A heat resisting tape should be used for fix measurement.

#### 3. Temperature profile



(1) The above temperature shall be measured of the top of switch. There are cases where PC board's temperature greatly differs from that of the switch, depending on the material, size, thickness of PC board's and others. Care, should be taken to prevent the switch's surface temperature from exceeding 260°C.

(2) Soldering conditions differ depending on reflow soldering machines. Prior verification of soldering condition is highly recommended.

**Manual Soldering**

| Items                      | Condition  |
|----------------------------|------------|
| Soldering temperature      | 350°C max. |
| Duration of soldering      | 3s max.    |
| Capacity of soldering iron | 60W max.   |

1. Do not washing the TACT Switch™.
2. Prevent flux penetration from the top side of the TACT switch™.
3. Switch terminals and a PC board should not be coated with flux prior to soldering.
4. The second soldering should be done after the switch returns to normal temperature.

**Notes are common to this series/models.**

1. This site catalog shows only outline specifications. When using the products, please obtain formal specifications for supply.
2. Please place purchase orders for taping products per minimum order unit (1 reel or a case).
3. For φ330mm diameter reel requirements, please contact us.
4. Please contact us for automotive use products.