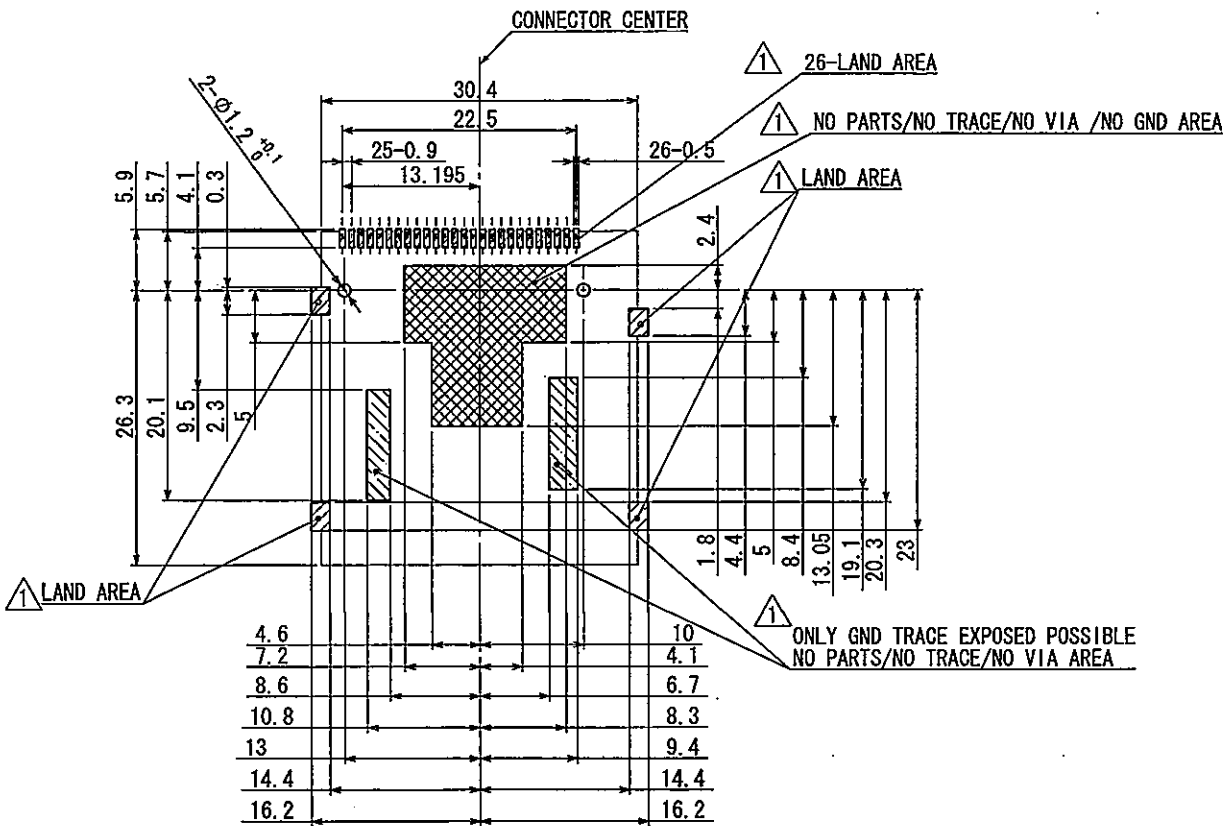




PRELIMINARY



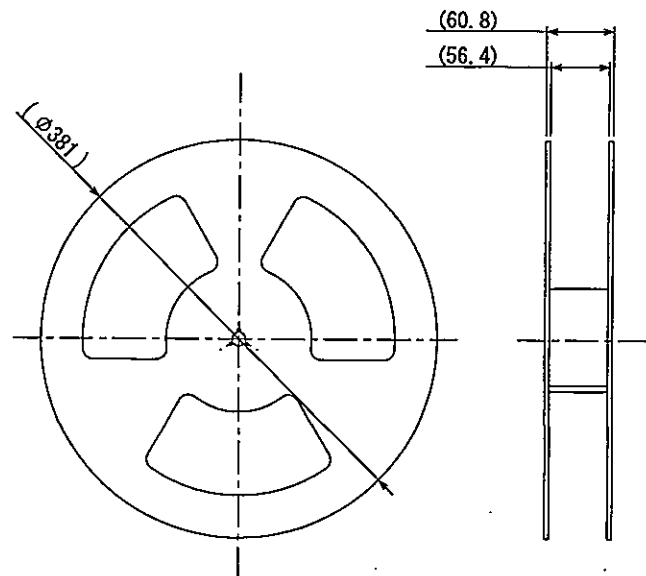
4.6	10
7.2	4.1
8.6	6.7
10.8	8.3
13	9.4
14.4	14.4
16.2	16.2

- LAND AREA
- NO PARTS AREA
- NO PARTS/NO TRACE/NO VIA /NO GND AREA
- ONLY GND TRACE EXPOSED POSSIBLE NO PARTS/NO TRACE/NO VIA AREA

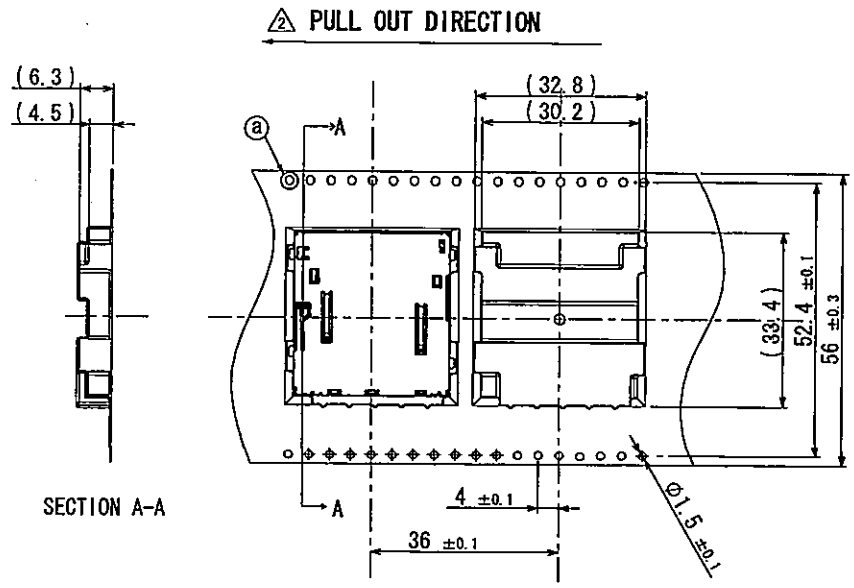
RECOMMENDED P. C. BOARD LAYOUT  
ALL TOLERANCE UNDESCRIBED ARE ±0.05

TOLERANCES UNLESS OTHERWISE SPEC						<b>ALPS ELECTRIC CO., LTD.</b>	
BASIC DIMENSIONS	TOLERANCES	DSGD.	Nov. 10. 2010 T. Matsushita	SCALE	NO.	SCDG3A0101	
UP TO 10	±0.3	CHKD.	Nov. 10. 2010 T. Tanaka		TITLE PRODUCT DRAWING (2/3)		
ABOVE 10 TO 100	±0.5	APPD.	Nov. 10. 2010 Y. Kuroda	LINT	DOCUMENT NO.		
ABOVE 100	±0.8	SYMB	DATE	APPD	CHKD	DSGD	SCDG3A0101, AE23, 023
ANGULAR DIMENSION	±5°						

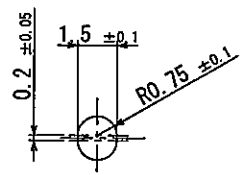
**PRELIMINARY**



REEL CORE



CARRIER TAPE (1:1)



Detail of (a)

2. Specification of taping : TAPE-S-049  
 Note 1. 300pcs/reel

					<b>ALPS ELECTRIC CO., LTD.</b>			
					DSGD.	Nov. 10. 2010 T. Matsushita	SCALE	NO.
					CHKD.	Nov. 10. 2010 T. Tanaka		TITLE
					APPD.	Nov. 10. 2010 Y. Kuroda	UNT	DOCUMENT NO.
SYMB	DATE	APPD	CHKD	DSGD			mm	SCDG3A0101, AE33, 023