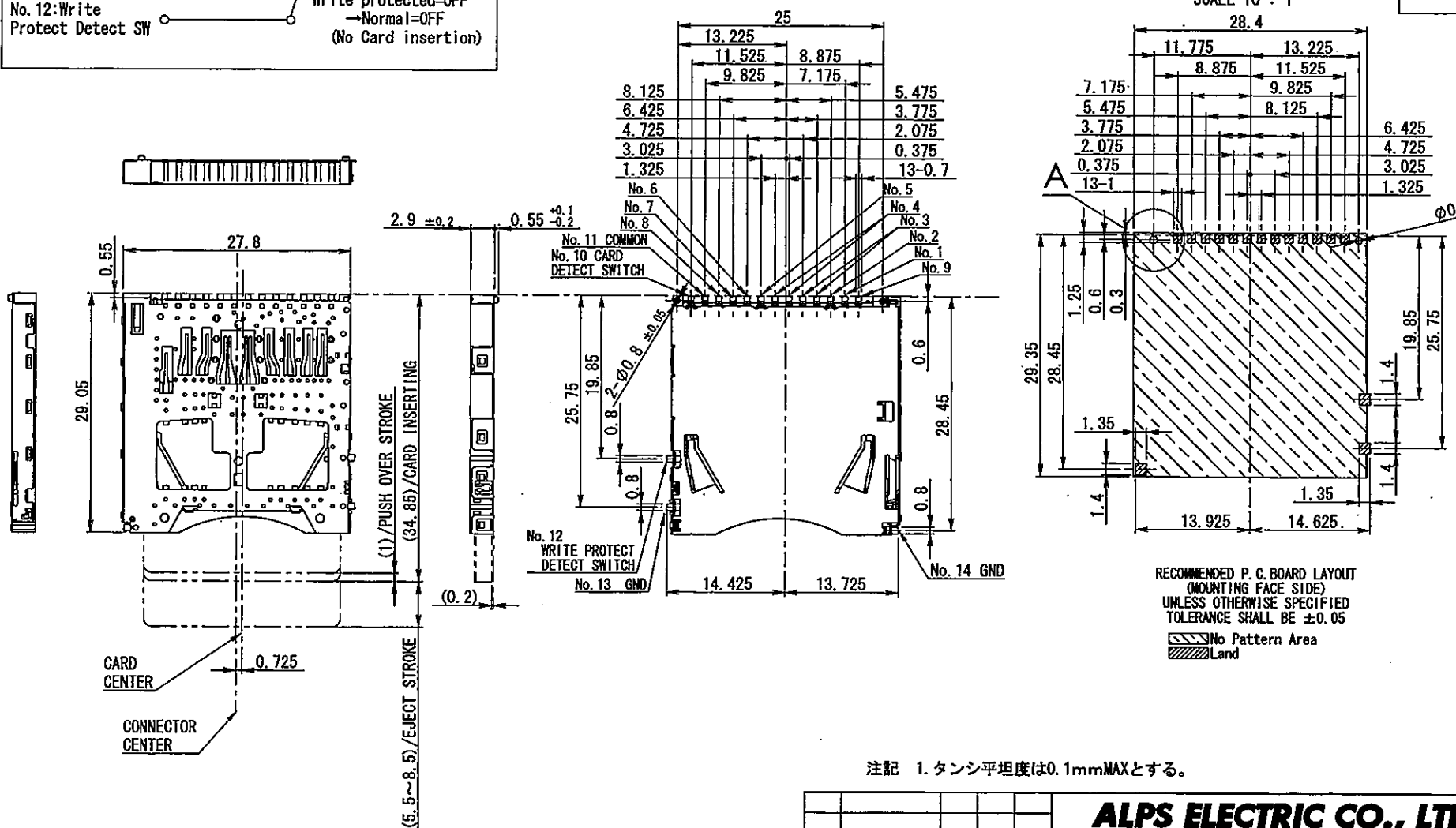
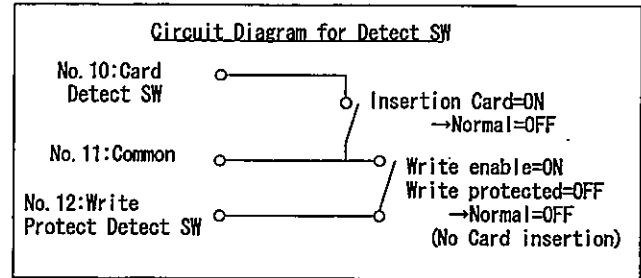
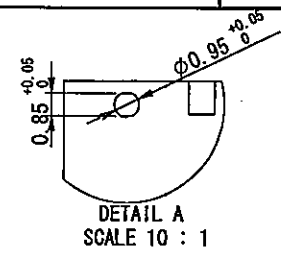


背景  
BACK GROUND  
SCDA6A0201

PRELIMINARY



RECOMMENDED P. C. BOARD LAYOUT  
(MOUNTING FACE SIDE)  
UNLESS OTHERWISE SPECIFIED  
TOLERANCE SHALL BE ±0.05

▨ No Pattern Area  
▨ Land

注記 1. タンシ平坦度は0.1mmMAXとする。

TOLERANCES UNLESS OTHERWISE SPEC					
BASIC DIMENSIONS	TOLERANCES	SYMB	DATE	APPD	CHKD
UP TO 10	±0.3				
ABOVE 10 TO 100	±0.5				
ABOVE 100	±0.8				
ANGULAR DIMENSION	±5°				

**ALPS ELECTRIC CO., LTD.**

DSGD: Sep. 13, 2010  
CHKD: Sep. 14, 2010  
APPD: Sep. 14, 2010

SCALE:

NO. SCDA6A0201

TITLE: Product Drawing (1/2)

UNIT: mm

DOCUMENT NO. SCDA6A0201, AE12, 003

2D-DRAWING

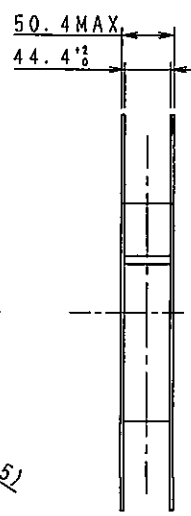
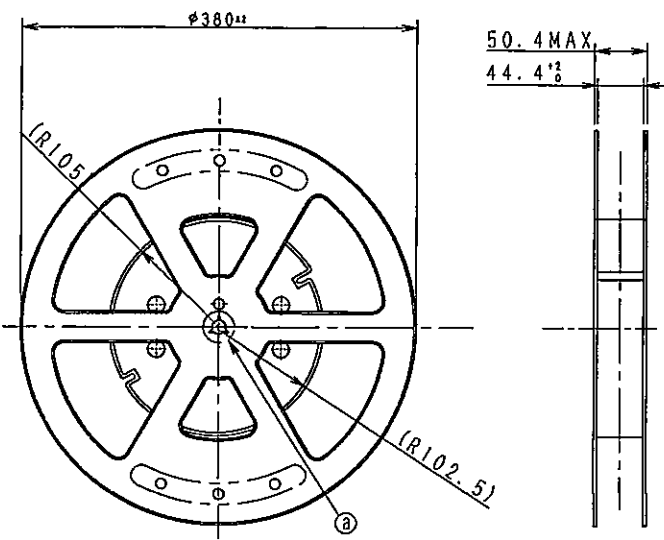
FOLD 5

PRELIMINARY

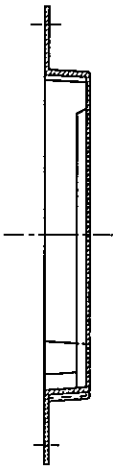
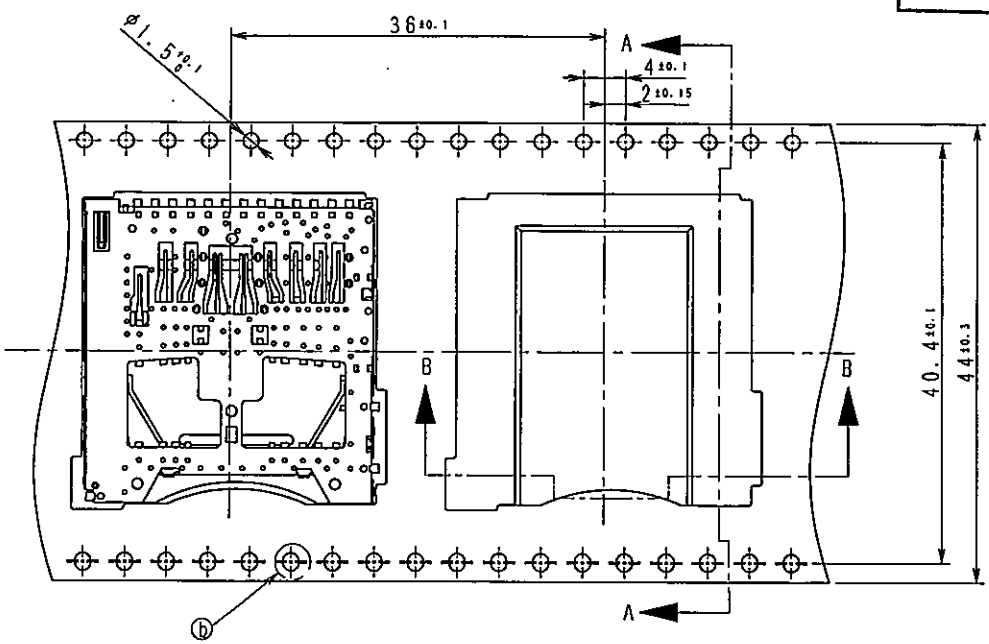
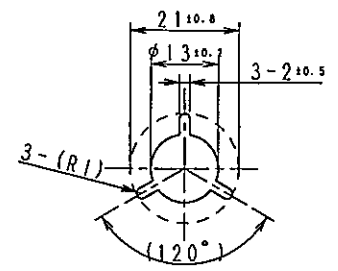
CARRIER TAPE (2:1)

REEL CORE (1:5)

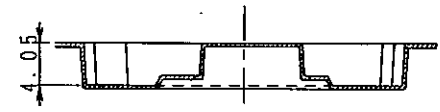
SECT. A-A



DETAIL (a) (1:1)

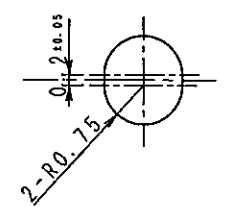


DRAWING DIRECTION



SECT. B-B

DETAIL (b) (10:1)



NOTE 1. SPECIFICATION OF TAPING: TAPE-S-013

					<b>ALPS ELECTRIC CO., LTD.</b>			
					DSGD.	<i>Sep. 13, 2010</i> <i>H. Sasaki</i>	SCALE	PARTS NAME
					CHKD.	<i>H. Sasaki</i>		TITLE
					APPD.	<i>Sep. 14, 2010</i> <i>H. Sasaki</i>		UNIT
ZONE SYMB	DATE	APPD	CHKD	DSGD		mm		SCDA6A0201 AE22.003