

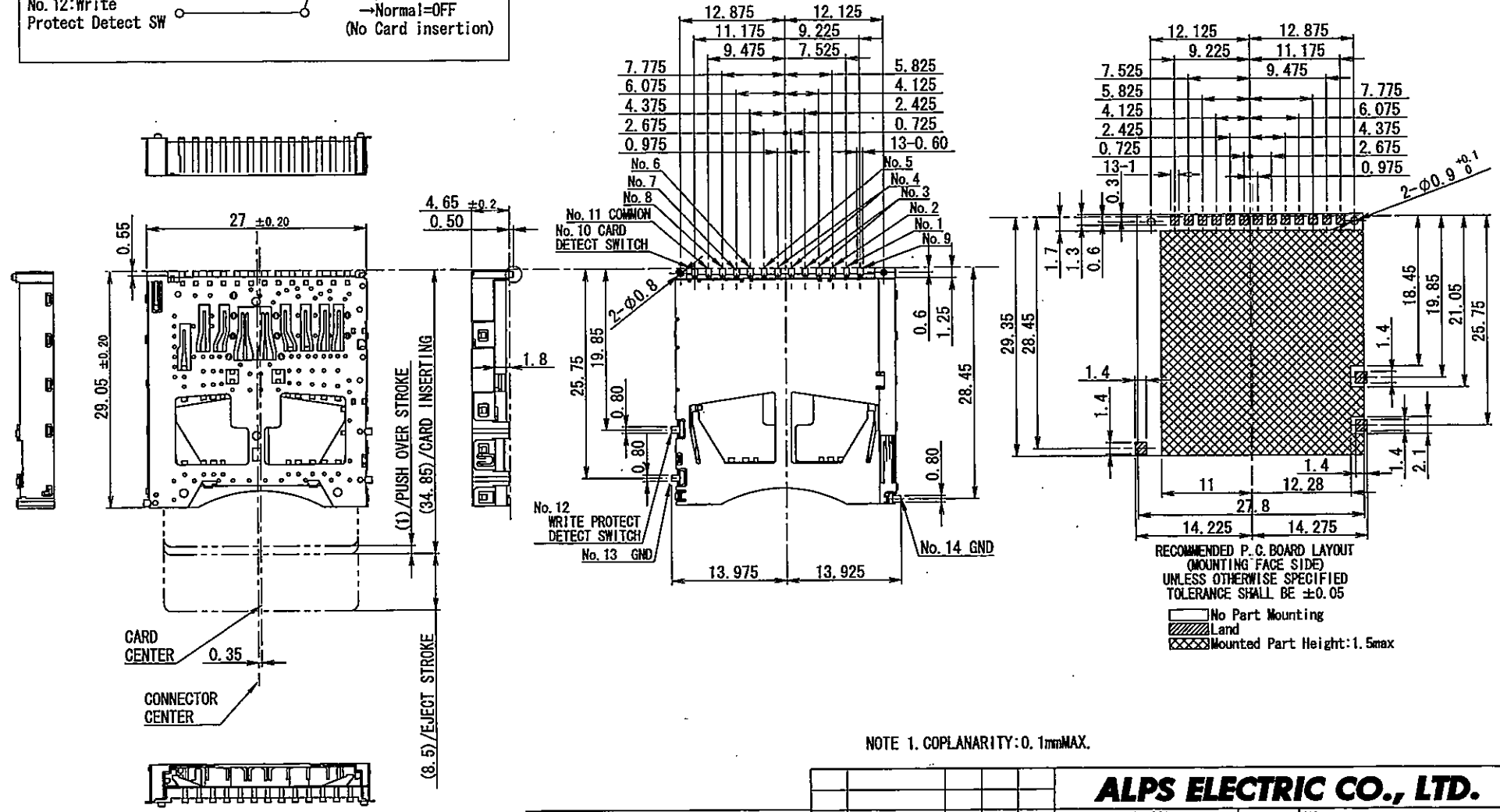
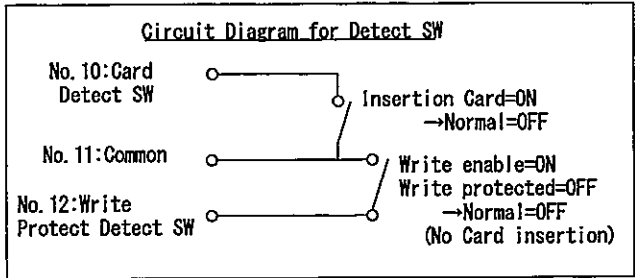
ME-CHECK:

ST-CHECK:

PE-CHECK:

背景 BACK GROUND
SCDA5A0203
△ DESIGN CORRECTION

**PRELIMINARY**



NOTE 1. COPLANARITY: 0.1mmMAX.

TOLERANCES UNLESS OTHERWISE SPEC				DSGD. SEP. 24, 2008				SCALE		NO.	
BASIC DIMENSIONS				S. Arakawa				/		SCDA5A0203 (1/2)	
UP TO 10				CHKD. SEP. 25, 2008				⊕		TITLE	
ABOVE 10 TO 100				W. Oguchi				⊕		Product Drawing (製品図)	
ABOVE 100				APPD. SEP. 25, 2008				UNIT		DOCUMENT NO.	
ANGULAR DIMENSION				Y. Kuroda				mm		SCDA5A0203, AE12, 013	
				SYMB	DATE	APPD	CHKD	DSGD			
				2	2008. 10. 01	YK	W.O	S. A			

**ALPS ELECTRIC CO., LTD.**

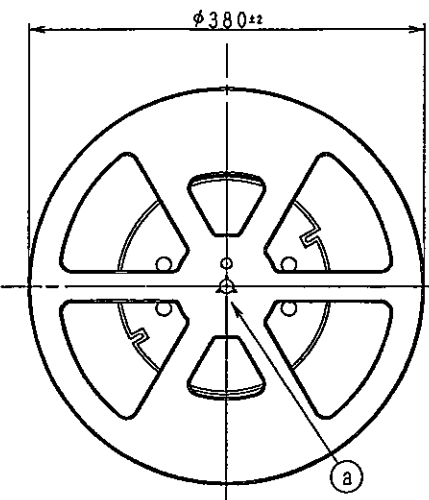
3D-MODEL  
2D-DRAWING

FOLD 5

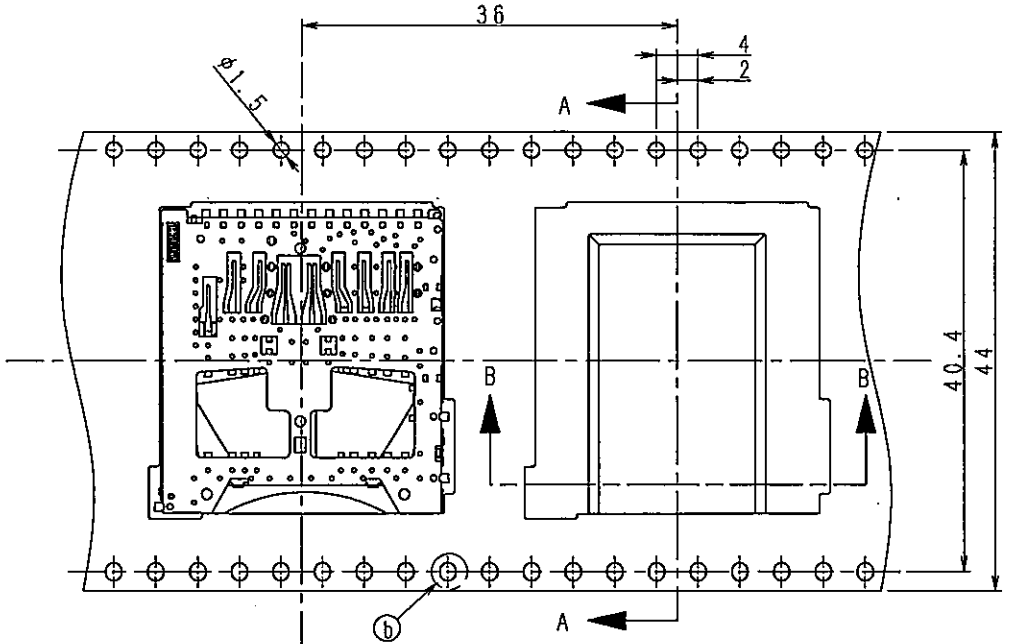
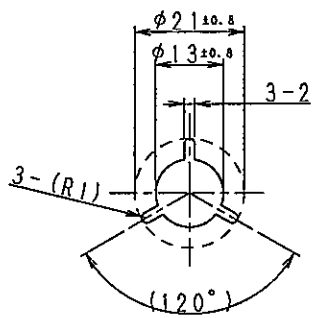
**PRELIMINARY**

△ REEL CORE (1:5)

CARRIER TAPE (2:1)



DETAIL (a) (1:1)



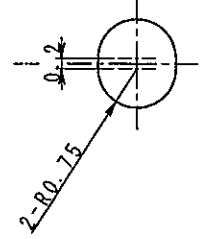
SECT A-A

DRAWING DIRECTION →



SECT B-B

DETAIL (b) (10:1)



NOTE 1. SPECIFICATION OF TAPING: TAPE-S-013

TOLERANCES UNLESS OTHERWISE SPEC.						<b>ALPS ELECTRIC CO., LTD.</b>			
BASIC DIMENSION	TOLERANCE	▲				DSGD. SEP. 24, 2008	SCALE	MODEL No. (模型号)	
UP TO 10	±0.3	▲				S. Arakawa		SCDA5A0203 (2/2)	
ABOVE 10 TO 100	±0.5	▲				CHKD. SEP. 25, 2008		TITLE (TAPING)	
ABOVE 100	±0.8	▲				W. Oguchi	PRODUCT DRAWING (製品図)		
ANGULAR DIMENSION	±3°	▲				APPD. SEP. 25, 2008	UNIT	DOCUMENT NO.	
		▲				Y. Kuroda	mm	SCDA5A0203. AE22. 013	

FOLD 5