



## 11mm Size Metal Shaft Type EC11 Series

Structure	Vertical	
Actuator configuration	Flat	
Actuator length	20mm	
Number of detent	30	
Number of pulse	15	
Push-on switch	With	
Travel of push-on switch	0.5mm	
Operating life	15,000 cycles	
Operating temperature range	-40°C to +85°C	
Electrical performance	Ratings	10mA 5V DC
	Output signal	Two phase A and B
	Max./min. operating current(Resistive load)	10mA/1mA
	Insulation resistance	100MΩ min. 250V DC
	Voltage proof	300V AC for 1 minute or 360V AC for 2s
Mechanical performance	Detent torque	10±7mN·m
	Push-pull strength	100N
Push-on switch specifications	Contact arrangement	Single pole single throw (Push-on)
	Travel	0.5±0.3mm
	Operating force	6(+2.5, -2)N
	Rating	0.1A 5V DC (500μA 5V DC min. ratings)

### About Cookies on this site :

This site uses cookies to improve your online experience. By continuing to use this site without changing your cookie preferences, we will assume that you are agreeing to our use

Accept

of cookies. For more information, visit our [Terms of Use](#).

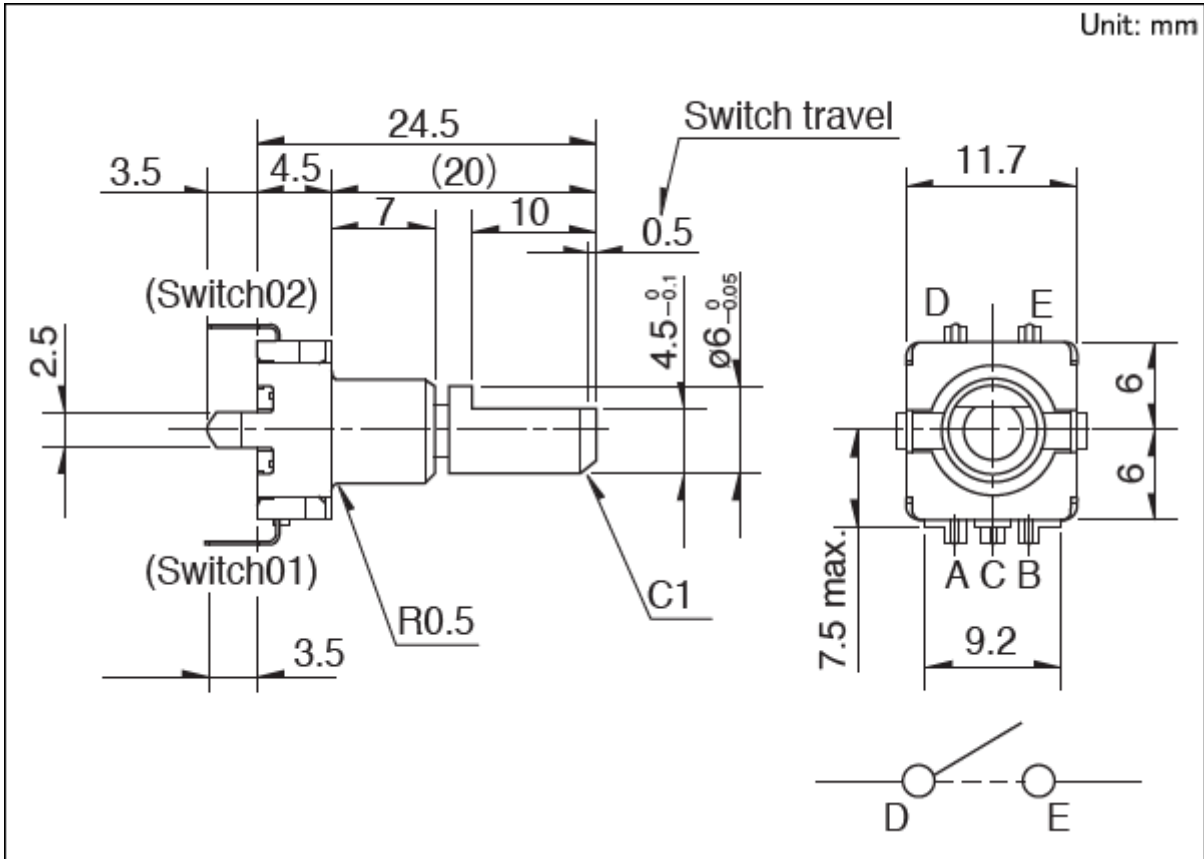
performance/Alter  
lifetime)

Operating life 20,000 times

Minimum order unit Japan 1,200  
(pcs.)

Export 2,400

Dimensions



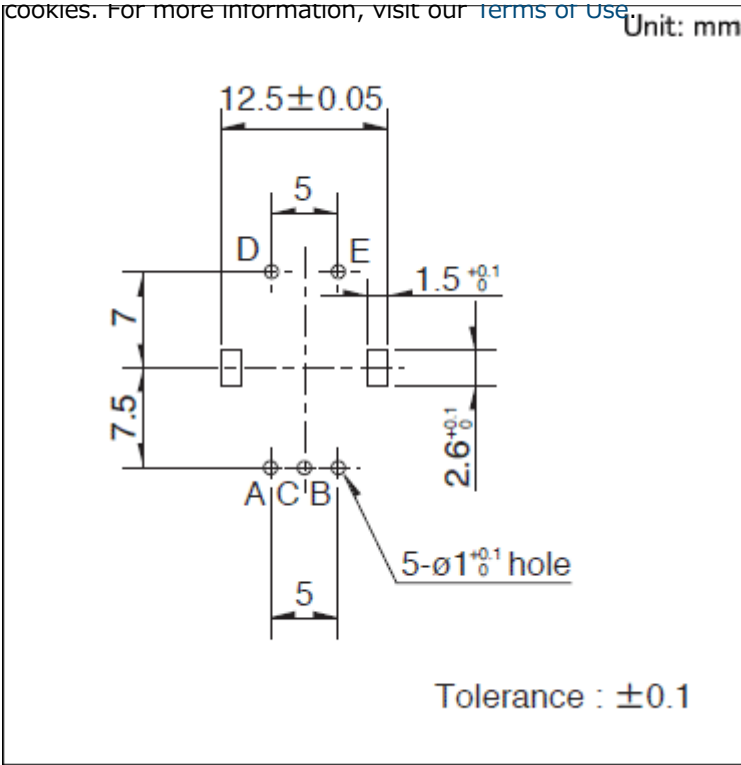
Mounting Hole Dimensions

About Cookies on this site :

This site uses cookies to improve your online experience. By continuing to use this site without changing your cookie preferences, we will assume that you are agreeing to our use

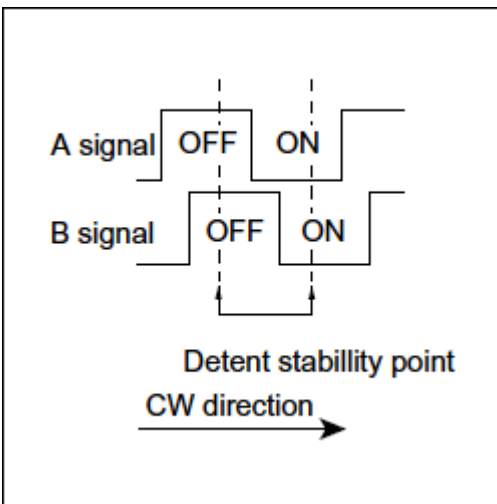
Accept

of cookies. For more information, visit our [terms of Use](#).

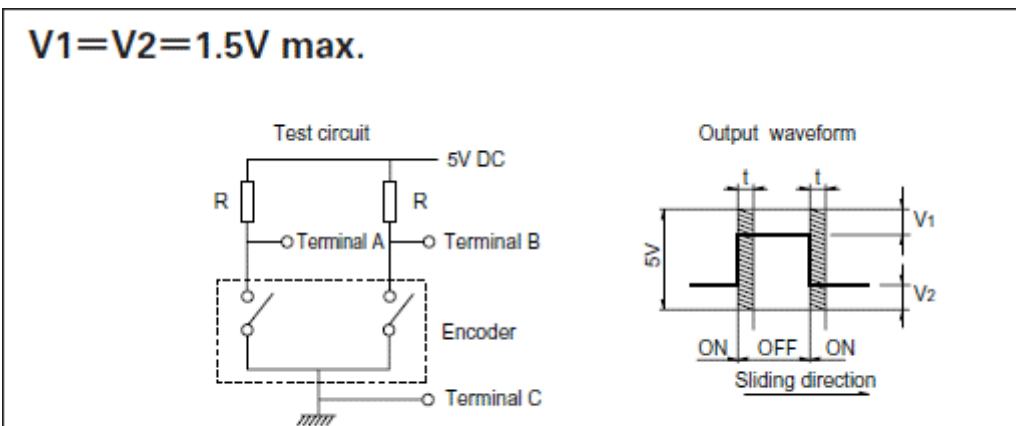


Viewed from mounting side.

### Output Wave



### Sliding Noise



About Cookies on this site :

This site uses cookies to improve your online experience. By continuing to use this site without changing your cookie preferences, we will assume that you are agreeing to our use

Accept

of cookies. For more information, visit our [Terms of Use](#).

## Packing Specifications

### Tray

Number of packages (pcs.)	1 case / Japan	1,200
	1 case / export packing	2,400
Export package measurements (mm)	540×360×250	

## Soldering Conditions

### Reference for Dip Soldering

Preheating	Soldering surfacetemperature	100°C max.
	Heating time	2 min. max.
Dip soldering	Soldering temperature	260±5°C
	Soldering time	5±1s
No. of solders	2 time max.	

### Reference for Hand Soldering

Tip temperature	350°C max.	
Soldering time	3s max.	
No. of solders	1 time	

## Product Varieties

### Single-shaft Type

1) Knurled Type

Unit : mm

Style (Shaft diameter : φ6)

● Detailed dimensions				
L <sub>1</sub>	L <sub>B</sub>	l <sub>1</sub>	l <sub>2</sub>	S <sub>1</sub>
20	7	6	1	7
25	10	10	2	11

2) Flat Type

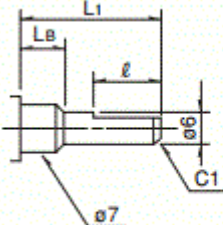
Unit : mm

About Cookies on this site :

This site uses cookies to improve your online experience. By continuing to use this site without changing your cookie preferences, we will assume that you are agreeing to our use

Accept

of cookies. For more information, visit our [Terms of Use](#).



**● Detailed dimensions**

	$L_1$	$L_B$	$l$
※1	15	5	7
	15	7	5 (6)
	20	7	10 (12)
※2	25	10	12

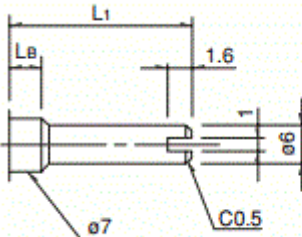
※ 1 Does not comply with EC111  
 ※ 2  $L_B=7$  for EC11B.

Values in parentheses apply to products without push-on switch.

3) Slotted Type

Unit : mm

Style (Shaft diameter :  $\phi 6$ )



**● Detailed dimensions**

	$L_1$	$L_B$
	15	7
	20	7
※	25	10

※  $L_B=7$  for EC11B.

Notes are common to this series/models.

1. This site catalog shows only outline specifications. When using the products, please obtain formal specifications for supply.
2. Please place purchase orders per minimum order unit (integer).
3. Products other than those listed in the above chart are also available. Please contact us for details.
4. This products can be used in vehicles.  
 Although these products are designed to perform over a wide operating temperature range, please ensure that you receive and read the formal delivery specifications before use.

About Cookies on this site :

This site uses cookies to improve your online experience. By continuing to use this site without changing your cookie preferences, we will assume that you are agreeing to our use

Accept