



# 三禮電子集團控股有限公司

3L ELECTRONIC GROUP HOLDINGS LIMITED  
SPECIFICATION FOR APPROVED 樣品承認書



CUSTOMER:

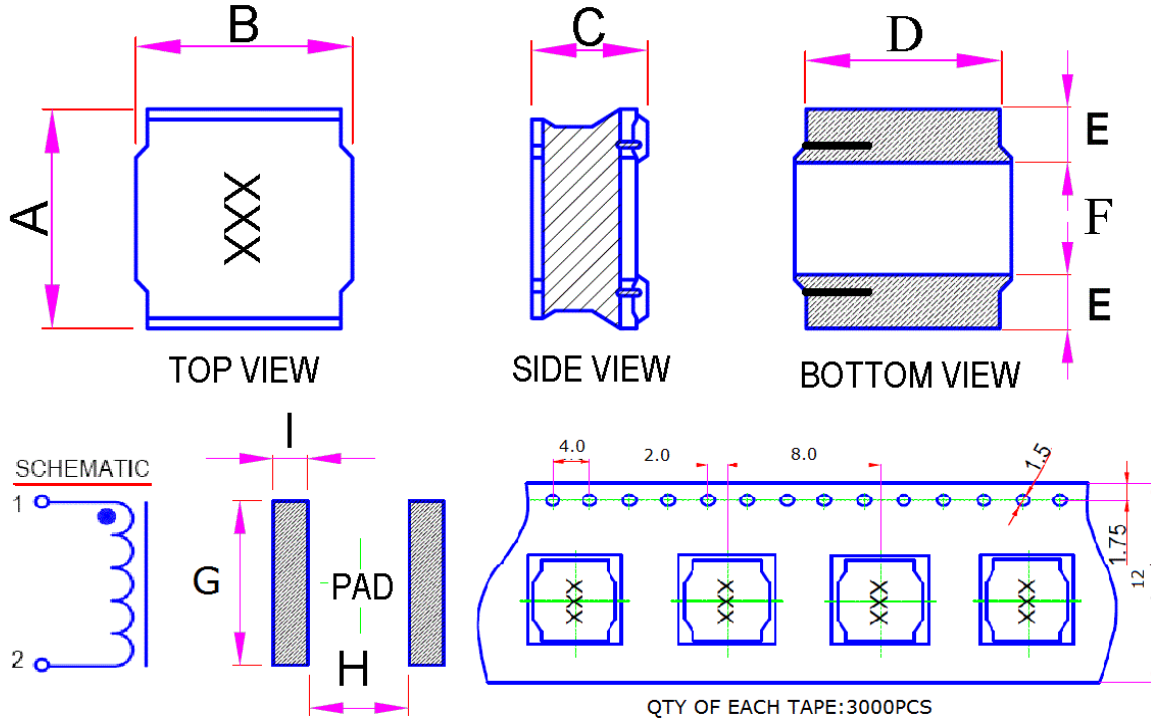
PAGE : 1 OF 3

P/N(料號): SNR4018K-SERIES

YOUR REF. :

1.MACHANCIAL DIMENSIONS(外形尺寸):

DRAW. NO. : SNR4018K



Item (項目)	Spec. (規格mm)	Typ.(實測值)	Item (項目)	Spec. (規格mm)	Typ.(實測值)
A	4.0+0.2		F	2.1	
B	4.0+0.2		G	3.7	
C	1.85 MAX		H	1.9	
D	3.3		I	1.1	
E	0.95		K		

2. NOTES (備注, 包括印字及起始同相端等特別要求):

2.1 Marking (印字):

CUSTOMER APPROVED (客戶確認)

APPROVED (確認)

CHECKED (檢查)

DRAWN (制圖)

工程部  
2018.11.07  
郭义标

工程部  
2018.11.07  
钟海珊

工程部  
2018.11.07  
程燕桥

ISSUED DATE(出版日期): 20161014

PRINT DATE(出圖日期): 20161014

REV(版次): XA



# 三禮電子集團控股有限公司

3L ELECTRONIC GROUP HOLDINGS LIMITED

SPECIFICATION FOR APPROVED 樣品承認書



CUSTOMER: PAGE : 2 OF 3

P/N(料號): SNR4018K-SERIES YOUR REF. :

### 3. ELECTRICAL CHARACTERISTICS (電特性要求):

3L/PN	L(uH)	Tolerance	DCR(mΩ)	Isat	Irise	Marking
	100KHz 0.25V	(+-%)	(+30%)	(A)	(A)	
SNR4018K-R56N	0.56	30	18	6.50	3.50	R56
SNR4018K-1R0N	1.0	30	23	4.50	2.50	1R0
SNR4018K-1R2N	1.2	30	28	4.30	2.40	1R2
SNR4018K-1R5N	1.5	30	33	3.35	2.34	1R5
SNR4018K-2R2M	2.2	20	44	2.70	2.00	2R2
SNR4018K-3R3M	3.3	20	70	2.45	1.90	3R3
SNR4018K-4R7M	4.7	20	90	1.70	1.70	4R7
SNR4018K-5R6M	5.6	20	103	1.60	1.50	5R6
SNR4018K-6R8M	6.8	20	124	1.45	1.30	6R8
SNR4018K-8R2M	8.2	20	180	1.40	1.15	8R2
SNR4018K-100M	10	20	200	1.30	1.10	100
SNR4018K-120M	12	20	230	1.15	0.95	120
SNR4018K-150M	15	20	268	0.94	0.92	150
SNR4018K-220M	22	20	390	0.80	0.80	220
SNR4018K-330M	33	20	560	0.65	0.60	330
SNR4018K-470M	47	20	850	0.57	0.50	470

Isat(A):

DC Saturation Current that will cause initial inductance to drop approximately 30% max

Irise(A):

DC Current that will cause an approximata  $\Delta T$  of 40°C

Ope.Temp.: -40 to 125°C

Measuring Instrument:L:HP4284 Isat:HP4284+42841A DCR:502BC

CUSTOMER APPROVED (客戶確認)	APPROVED (確認)	CHECKED (檢查)	DRAWN (制圖)

ISSUED DATE(出版日期): 20161014

PRINT DATE(出圖日期): 20161014



# 三禮電子集團控股有限公司

3L ELECTRONIC GROUP HOLDINGS LIMITED  
SPECIFICATION FOR APPROVED 樣品承認書



CUSTOMER:

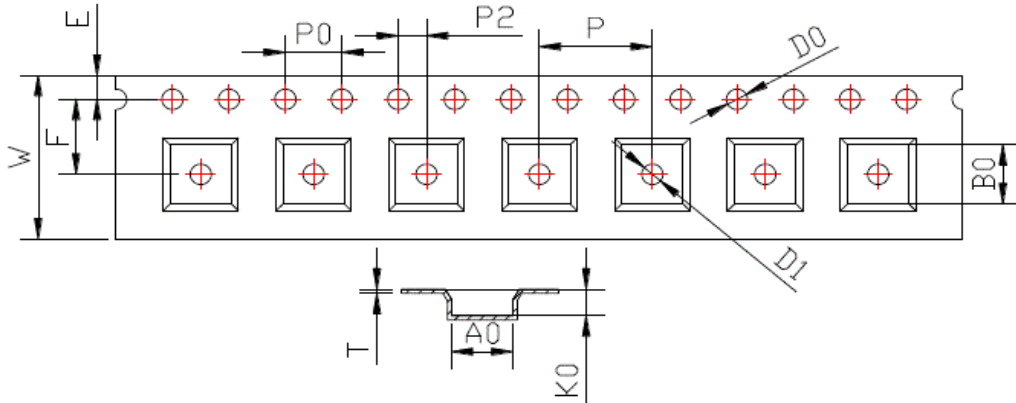
PAGE : 3 OF 3

P/N(料號): SNR4018K-SERIES

YOUR REF. :

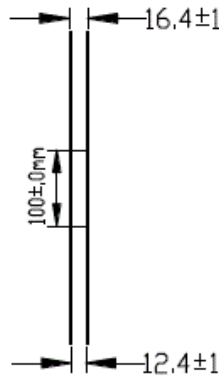
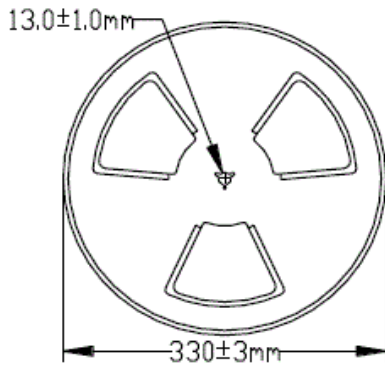
## Packaging Specifications

### 1. Carrier Tape Dimensions:



ITEM	W	A0	B0	K0	P	F	E	D0	D1	P0	P2	T
DIM	12.00	4.35	4.35	1.95	8.00	5.50	1.75	1.50	1.50	4.00	2.00	0.30

### 2. Reel Dimensions:

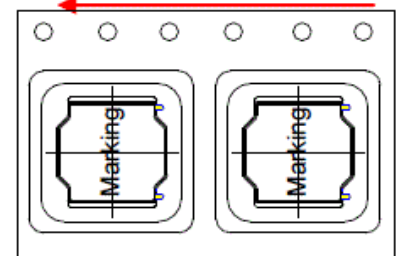


### PACKAGE SPECIFICATION:

3KPCS/ Reel

編帶方向 , 如右图所示

編帶方向



CUSTOMER APPROVED (客戶確認)

APPROVED (確認)

CHECKED (檢查)

DRAWN (制圖)

工程部  
2018.11.07  
郭义标

工程部  
2018.11.07  
钟海珊

工程部  
2018.11.07  
程燕桥

ISSUED DATE(出版日期): 20161014

PRINT DATE(出圖日期): 20161014