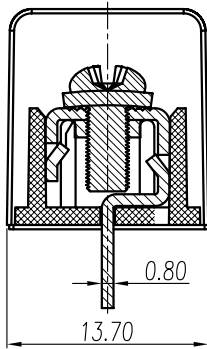
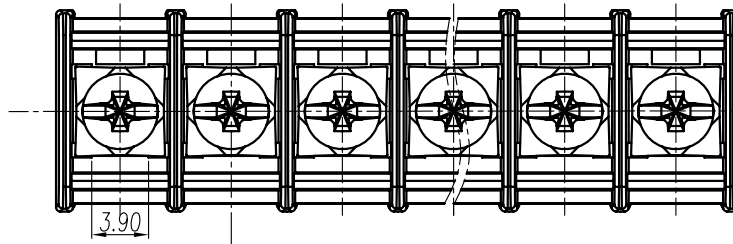
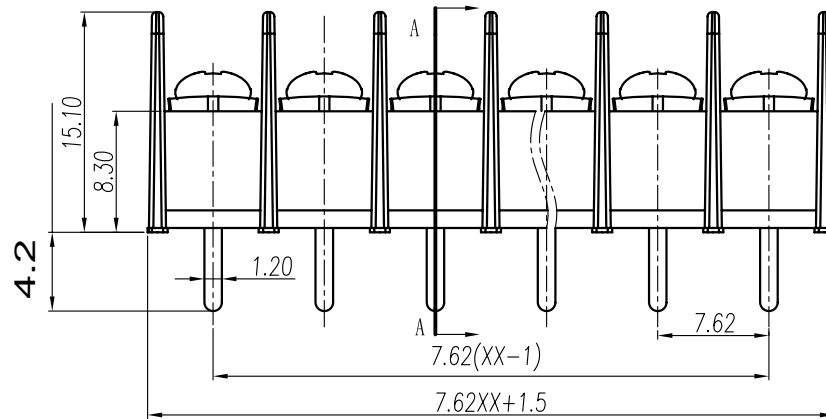


P.C.B. LAYOUT



SECTION A-A



电气性能/Electrical

参考标准/Standard: UL IEC
 额定电压/Rated voltage: 300V 450V
 额定电流/Rated current: 15A 17.5A
 使用线径/Wire range: 22-14AWG 1.5mm²
 耐电压/Withstanding voltage: AC2000V/1Min
 绝缘电阻/Insulation resistance: 500M Ω /DC500V

机械性能/Mechanical

扭 矩/Torque: 0.5Nm(4.5lb.in)
 温度范围/Temp.Range: -40°C~+105°C

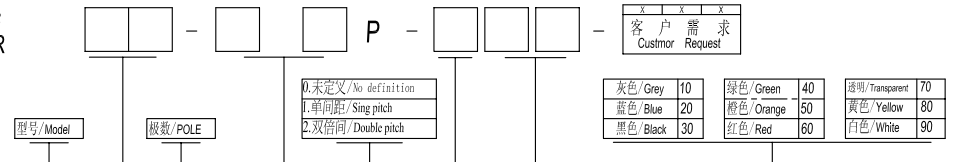
尺 寸/Dimensions

间距/Pitch: 7.62mm
 极 数/Poles: 2p-26p

材质及电镀/Material

塑 件/Housing: PA66, UL94V-0
 螺 丝/Screws: M3, steel, Ni Plated
 焊 脚/Pin header: Brass, Tin plated

订购方式:
HOW TO ORDER



variable range	linear dimension(Tolerances Standard GB/T 14486-2008)										≡	—	□	//	⊥	
	to 6	over 6 to 10	over 10 to 18	over 18 to 30	over 30 to 50	over 50 to 80	over 80 to 120	over 120 to 160	over 160 to 200	over 200 to 250						all
tolerance	±0.1	±0.14	±0.19	±0.25	±0.32	±0.43	±0.57	±0.72	±0.88	±1.05	±1.25	0.5	0.025	0.06	0.12	0.4

单位/UNITS	mm	尺寸/SIZE	A4	比例/SCALE	比例	第一视角/FIRST ANGLE PROJECTION	
Cixi Dibo Electronics Co.,LTD						名称/NAME	DBT30C-7.62-XXP