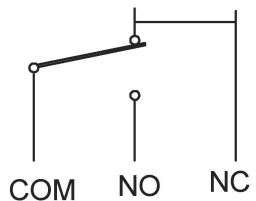
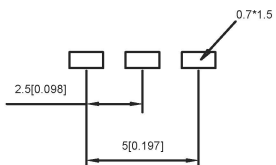
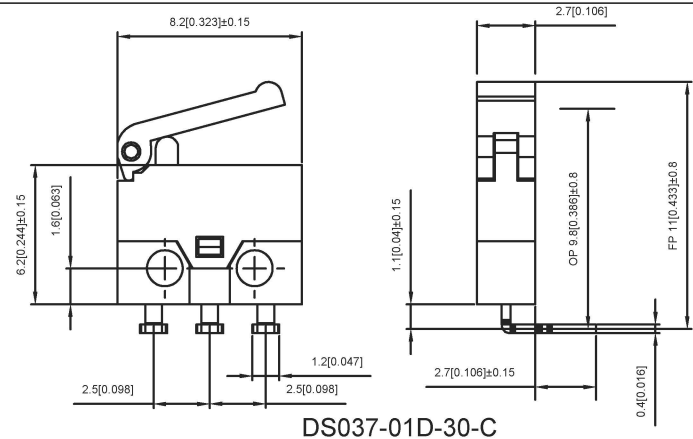


DS037-00P-60

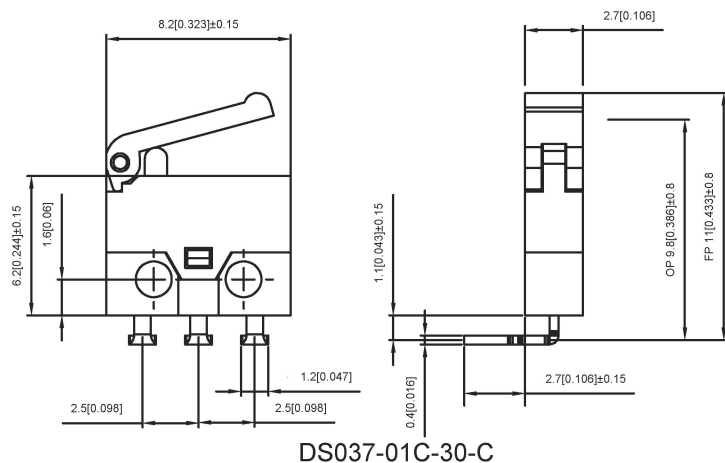


1.Functional spec

1.1 Rated Voltage	0.3A@DC6V
1.2 Contact Resistance	≤50mΩ (Initial value)
1.3 Operating Force	
1.4 Free Position	
1.5 Operating Position	
2. Reliable Rating	
2.1 Mechanical Life	100,00 cycles
2.2 Electrical Life	50,000 cycles
2.3 Insulation Resistance	>100M Ω DC100V
2.4 Withstand Voltage	AC250V 1 minute
2.5 Soldering Temper	250°C Max 3 Sec
2.6 Operating Temper	-25°C ~ +85°C
2.7 Ambient Humidity Used	<85%RH



DS037-01D-30-C



DS037-01C-30-C

广东星坤科技股份有限公司

生	ΔX	日期
效	ΔX	日期
	ΔX	
	MARK	

文件工程章

REVISIONS

www.helloxb.com www.helloxb.com www.helloxb.com

UNSPECIFIED TOLERANCES

DSND		DATE		SCALE: N/A	MODEL TYPE: The micro switch
DWN		DATE		VIEW:	PART NO.:
CHKD		DATE		UNIT: mm/in	DWG NO.: DS037-XXX-XXX
APPD		DATE		SIZE: A4	
XKB INDUSTRIAL PRECISION CO., LIMITED				WEIGHT	SHEET
				1.0g	1/1
				REVISION	A0