



## DIO2684

# One Channel SD and Three Channel 1080i High Definition Video Filter

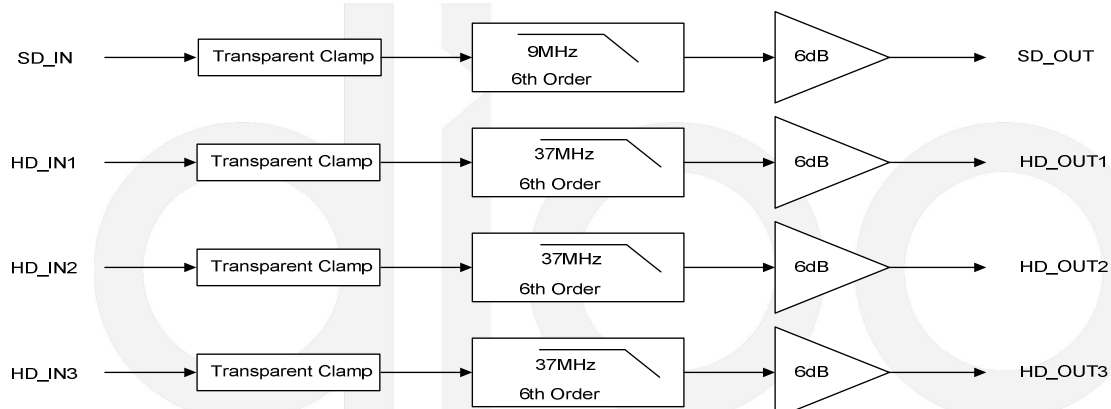
### Features

- One CVBS channel with 6th-order, 9MHz filter
- Three channels with per channel a 6th-order, 37MHz filter
- Transparent Input Clamping
- Fixed 6dB Gain
- AC or DC Coupled Inputs
- AC or DC Coupled Outputs
- Operates from 3.135V to 5.25V Single Power Supply
- RoHS or Green EP-MSOP-10 Package
- 8kV ESD protection

### Applications

- DVD Players
- Video Amplifiers
- Cable set-top boxes
- Personal Video Recorders
- Communications Devices
- Video on Demand

### Block Diagram

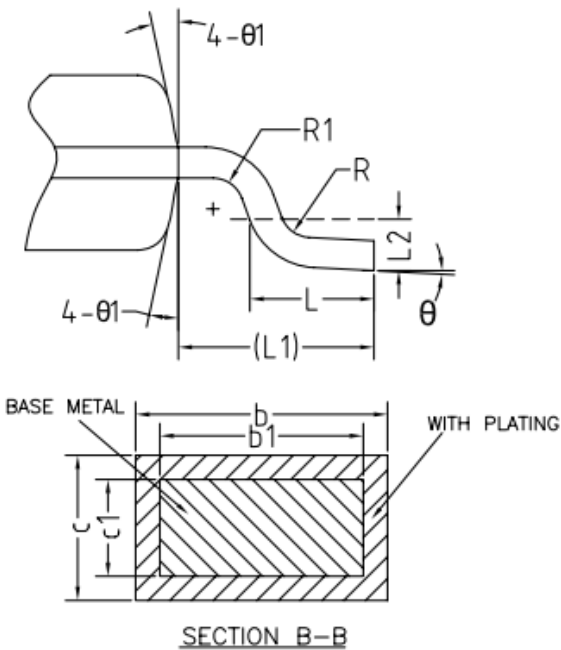
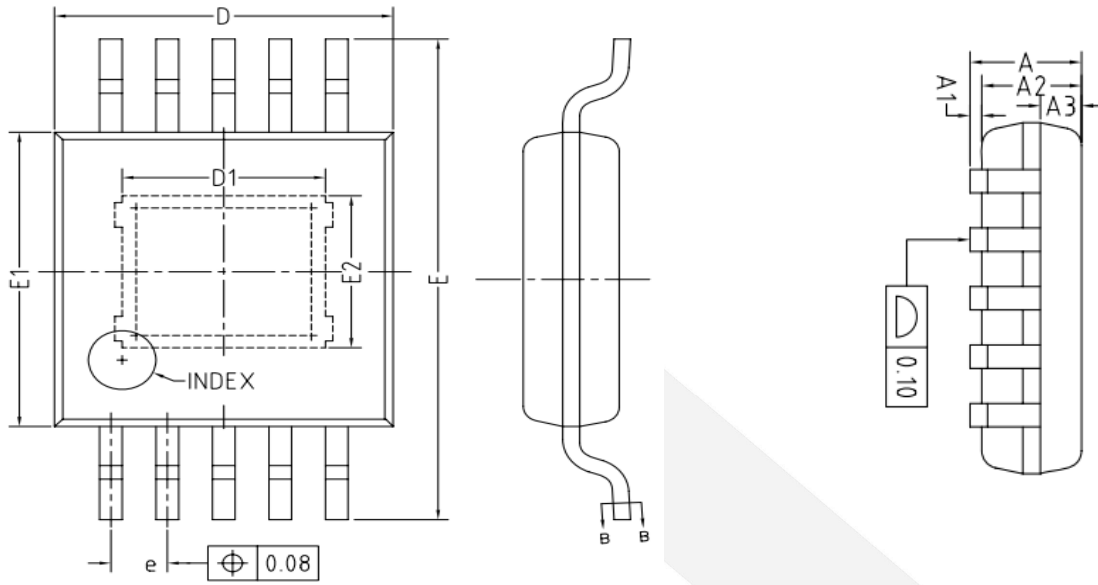


### Ordering Information

Order Part Number	Top Marking		T <sub>A</sub>	Package	
DIO2684XM10	DIO2684	Green	-40 to +85°C	EP-MSOP-10	Tape & Reel, 3000

# DIO2684

## Physical Dimensions: EP-MSOP-10



SYMBOL	MIN	NOM	MAX
A	-	-	1.10
A1	0	-	0.15
A2	0.75	0.85	0.95
A3	0.25	0.35	0.39
b	0.18	-	0.27
b1	0.17	0.20	0.23
c	0.15	-	0.20
c1	0.14	0.15	0.16
D	1.90	3.00	3.10
D1	0.75	-	2.50
E	4.70	4.90	5.10
E1	2.90	3.00	3.10
E2	0.75	-	2.50
e	0.40	0.50	0.60
L	0.40	0.60	0.80
L1	0.95REF		
L2	0.25BSC		
R	0.07	-	-
R1	0.07	-	-
θ	0°	-	8°
θ1	9°	12°	15°

One Channel SD and Three Channel 1080i High Definition Video Filter

## CONTACT US

Dioo is a professional design and sales corporation for high-quality and performance analog semiconductors. The company focuses on industry markets, such as, cell phone, handheld products, laptop, and medical equipments and so on. Dioo's product families include analog signal processing and amplifying, LED drivers and charger IC. Go to <http://www.dioo.com> for a complete list of Dioo product families.

For additional product information, or full datasheet, please contact with our Sales Department or Representatives.

