

REV	LOCATIONS	DESCRIPTION	DATE	REVISOR	APPD
1	△	Part No.: Change FRJ45156 into FRJ45081	25/MAY/18	KATE	ANDY



SPECIFICATIONS

Electrical

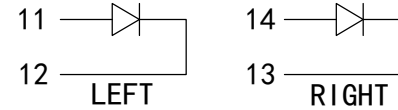
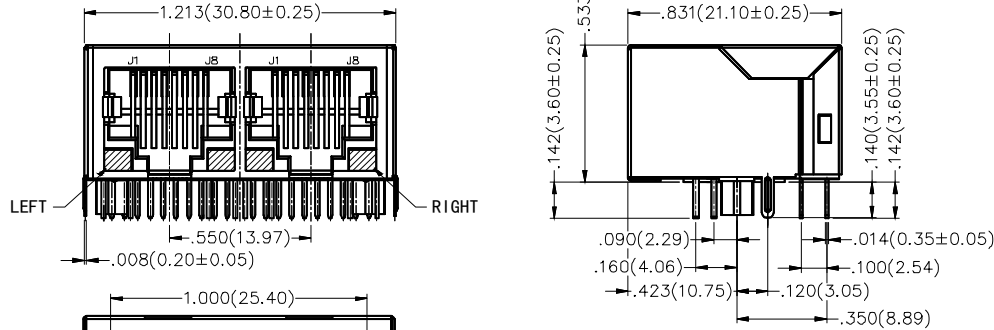
Current Rating: 1.5A AC(rms)/DC
 Voltage Rating: 125V AC(rms)/DC
 Contact Resistance: 50 mΩ Max
 Insulation Resistance: 500 MΩ Min / DC 500V
 Withstanding Voltage: 1000V AC r.m.s.
 Operating Temperature: -40°C~+85°C

Mechanical

Durability: 750 cycles
 Mating Force: 30N MAX.

Material and plating

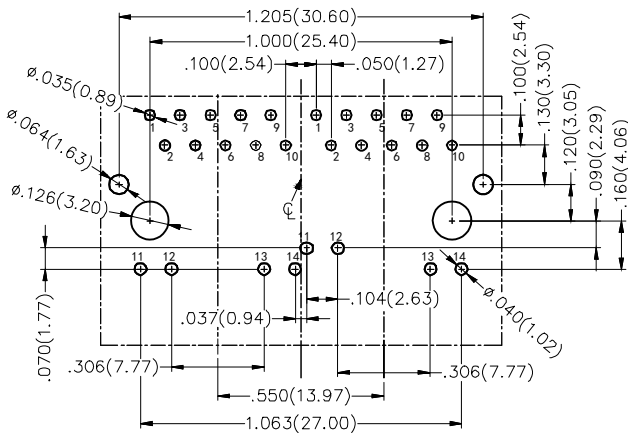
Housing: PBT (UL 94V-0), Black
 Terminals bracket: PBT,UL94V-0,Black
 Contact: Phosphor Bronze C5210 /
 Selective gold in contact area, tin on tail
 Shield: C2680/ Nickel Plated



Ordering Information

FRJ45 081 — 2 3 XX K6 K X 1 0 2
 1 2 3 4 5 6 7 8 9 10

1 Category FRJ45-RJ45 Connector	2 Distinction No. 081	3 Ports options 2-2 Ports	4 Plating 3-Selective gold in contact area, tin on tail	5 Thickness of plating 00-Gold flash 03-3μ" Custom plate available
6 Color-Resin K6-Black	7 Packaging K- Tray	8 LED style 1-L: Yellow R: Green 2-L: Green R: Yellow	9 Contact type 1-Square pin	10 Pin circuits 2-1000Base-T

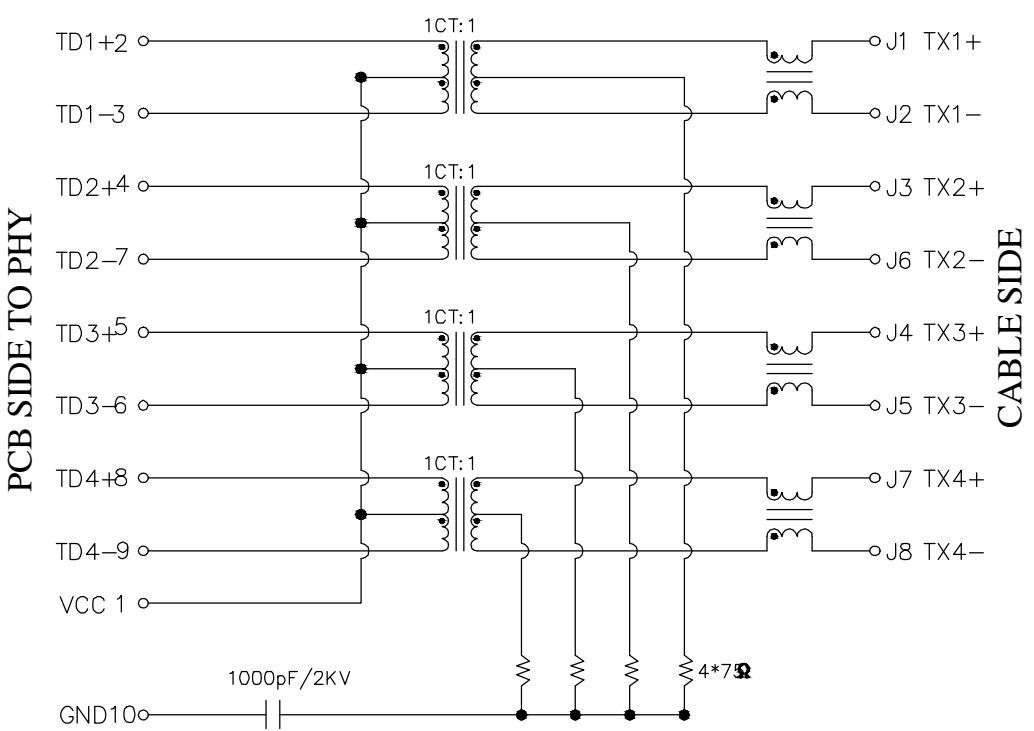


Recommended P.C.Board Layout

THIRD ANGLE PROJECTION	GENERAL TOLERANCES (UNLESS SPECIFIED)		APPROVE BY FRANK	DATE 09/DEC/16	PART NO. △ FRJ45081-23XXK6KX102	ITEM NO. FRJ45081	<p>Leader Of Industry</p>
	DESIGN UNITS Inch (metric)	X.±.013(0.35) X.X±.012(0.30) X.XX±.010(0.25) X.XXX±.004(0.10)	X:±5° X:±2° .XX±1° .XXX±0.5°	CHECKED BY CHERRY	DATE 09/DEC/16	TITLE RJ45 Connectors 10P8C 90°Angle(1000Base-T)	
SCALE 5:1	SIZE A4		DRAWN BY KATE	DATE 09/DEC/16	THIS DRAWING CONTAINS INFORMATION THAT IS PROPRIETARY TO TXGA INDUSTRIAL ELECTRONICS(S.Z)CO.,LTD AND SHOULD NOT BE USED WITHOUT WRITTEN PERMISSION		REV 1 SHEET NO. 1/2

1 2 3 4 5 6 7 8

REV	LOCATIONS	DESCRIPTION	DATE	REVISER	APPD



Electrical:

- Turn ratio: 2~3: J1~J2=1CT:1CT(±2%).
4~7: J3~J6=1CT:1CT(±2%).
5~6: J4~J5=1CT:1CT(±2%).
8~9: J7~J8=1CT:1CT(±2%).
- OCL: 350uH Min.at 100KHz 100mV 8mA DC.
- Insertion Loss: -1.0 dB Max 1~100MHz.
- Return loss: -20dB Min 1~10MHz;
-16dB Min 10~30MHz;
-12dB Min 30~60MHz;
-10dB Min 60~80MHz;
- Cross talk: -40dB Min 1~30MHz;
-35dB Min 3~60MHz;
-30dB Min 60~100MHz;
- CMR: -35dB Min 1~100MHz;
- Hi-Pot: 1500V AC & 2250V DC
6S 1mA PRI TO SEC

LED Specification

Standard LED Color	LED Wavelength	Foward(A)	Foward(V)
Green	568nm	20mA	1.8 -2.8V
Yellow	585nm	20mA	1.8 -2.8V

<p>THIRD ANGLE PROJECTION</p>	GENERAL TOLERANCES (UNLESS SPECIFIED)		APPROVE BY FRANK	DATE 09/DEC/16	PART NO. FRJ45081-23XXK6KX102	ITEM NO. FRJ45081	<p>Leader Of Industry</p>		
	DESIGN UNITS Inch (metric)	X.±.013(0.35) X.X±.012(0.30)	X.±5' .X'±2'	CHECKED BY CHERRY	DATE 09/DEC/16	TITLE RJ45 Connectors 10P8C 90°Angle(1000Base-T)		REV 1	SHEET NO. 2/2
	SCALE 5:1	SIZE A4	X.XX±.010(0.25) X.XXX±.004(0.10)	.XX'±1' .XXX'±0.5'	DRAWN BY KATE	DATE 09/DEC/16		THIS DRAWING CONTAINS INFORMATION THAT IS PROPRIETARY TO TXGA INDUSTRIAL ELECTRONICS(S.Z)CO.,LTD AND SHOULD NOT BE USED WITHOUT WRITTEN PERMISSION	

1 2 3 4 5 6 7 8